

New Jersey Semi-Conductor Products, Inc.

20 STERN AVE.
 SPRINGFIELD, NEW JERSEY 07081
 U.S.A.

TELEPHONE: (973) 376-2922
 (212) 227-6005
 FAX: (973) 376-8960

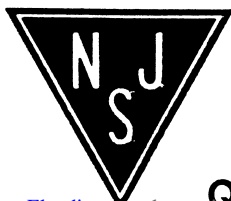
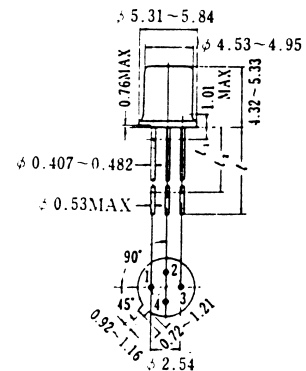
PARAMETERS

2SC1260
 Si NPN LP HF BJT

Description: Si NPN LP HF BJT
 Manufacturer.....
 Mil/High-Rel? (Y/N).....
 Vbr CEO..... 25h
 Trans. Freq (Hz) Min..... 2.0G
 hfe.....
 @VCE (test) (V).....
 @Ic (A).....
 Ic Max. (A)..... 30m
 C(ob) (F)..... .50p
 Icbo Max. @Vcb Max. (A)..... .10u
 t(on) Delay (S).....
 Tr Max. (s).....
 t(stor) Max. (S).....
 t(f) Max. (S).....
 Max. PD (W)..... 250m
 Derate (Amb) (W/xC)..... 2.5m
 Vbr CBO..... 45
 Oper. Temp (x°C) Max..... 175u
 @ Temp (derating) test xC...
 Oper. Temp (x°C) Min.....
 Pkg Style.....
 Surface Mounted (Y/N)..... N
 Pinout Equivalence Number..... 4-20

Junction Temperature 2 It(rms) b Not at Breakdown Voltage

TO-72形



Quality Semi-Conductors