

SMT POWER INDUCTORS

Shielded Drum Core - PF0464/PF0465 Series



- Height:** PF0464: 3mm Max - PF0465: 4mm Max
- Small Size:** 7.2mm x 7.2mm Max
- Current Rating:** PF0464: up to 4.5A - PF0465: up to 3.5A
- Inductance Range:** 1.5µH to 100µH

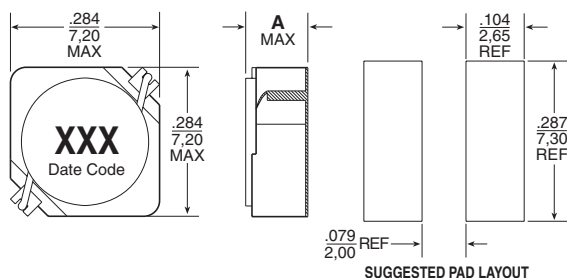
Electrical Specifications @ 25°C — Operating Temperature -40°C to +125°C^{1,6}

Part ⁵ Number	Inductance ¹ @ Irated (µH TYP)	I _{rated} ² (A)	DCR (mΩ)		Inductance @ 0A _{dc} (µH ±20%)	Saturation Current I _{sAT} (A)	Heating ⁴ Current I _{bc} (A)
			TYP	MAX			
PF0464 SERIES							
PF0464.152	1.2	4.50	9	12	1.5	4.50	5.50
PF0464.302	2.4	3.00	17	22	3.0	3.00	4.25
PF0464.392	3.1	2.60	19	25	3.9	2.60	3.80
PF0464.502	4.0	2.40	24	30	5.0	2.40	3.55
PF0464.602	4.8	2.25	26	33	6.0	2.25	3.20
PF0464.732	5.8	2.10	36	45	7.3	2.10	3.10
PF0464.862	6.9	1.85	38	48	8.6	1.85	2.95
PF0464.103	8.0	1.70	41	52	10	1.70	2.90
PF0464.123	9.6	1.55	52	66	12	1.55	2.40
PF0464.153	12.0	1.40	55	75	15	1.40	2.35
PF0464.183	14.4	1.32	69	90	18	1.32	2.10
PF0464.223	17.6	1.20	85	113	22	1.20	1.85
PF0464.273	21.6	1.05	104	132	27	1.05	1.70
PF0464.333	26.4	0.97	132	165	33	0.97	1.50
PF0464.393	31.2	0.86	142	180	39	0.86	1.45
PF0464.473	37.6	0.80	197	238	47	0.80	1.25
PF0464.563	44.8	0.73	216	270	56	0.73	1.15
PF0464.683	54.4	0.65	235	300	68	0.65	1.10
PF0464.823	65.6	0.60	291	370	82	0.60	1.00
PF0464.104	80.0	0.54	401	505	100	0.54	0.85
PF0465 SERIES							
PF0465.332	2.6	3.50	16	20	3.3	3.50	4.65
PF0465.502	4.0	2.90	19	24	5.0	2.90	4.10
PF0465.622	5.0	2.50	21	26	6.2	2.50	3.90
PF0465.732	5.8	2.30	25	31	7.3	2.30	3.50
PF0465.862	6.9	2.20	27	34	8.6	2.20	3.30
PF0465.103	8.0	2.00	29	37	10	2.00	3.20
PF0465.123	9.6	1.70	39	50	12	1.70	2.80
PF0465.153	12.0	1.60	44	55	15	1.60	2.60
PF0465.183	14.4	1.50	62	78	18	1.50	2.25
PF0465.223	17.6	1.30	68	86	22	1.30	2.10
PF0465.273	21.6	1.20	75	95	27	1.20	2.00
PF0465.333	26.4	1.10	94	118	33	1.10	1.75
PF0465.393	31.2	1.00	101	128	39	1.00	1.70
PF0465.473	37.6	0.95	112	140	47	0.95	1.60
PF0465.563	44.8	0.85	154	195	56	0.85	1.35
PF0465.683	54.4	0.75	188	234	68	0.75	1.25
PF0465.823	65.6	0.70	261	324	82	0.70	1.05
PF0465.104	80.0	0.65	286	350	100	0.65	1.00

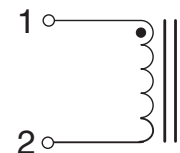
* NOTE: To order RoHS compliant part, add the suffix "NL" to the part number (i.e. PF0464.152 becomes PF0464.152NL and PF0464.152T becomes PF0464.152NLT).

Mechanical

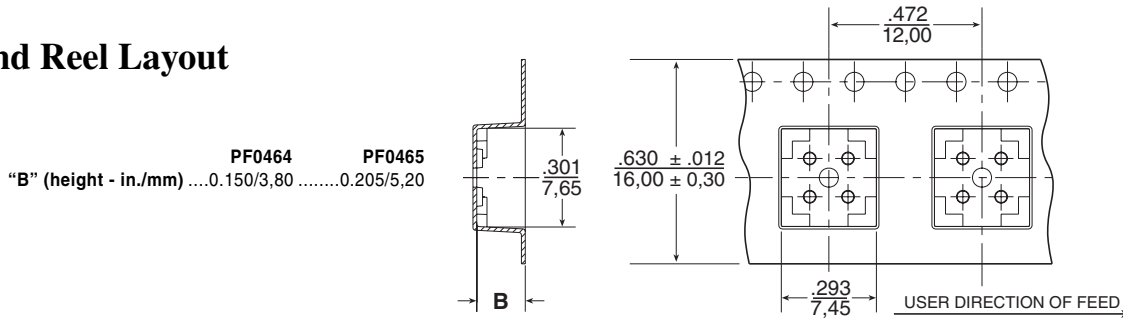
Schematic



	PF0464	PF0465
Weight.....	0.5 grams	0.7 grams
Tape & Reel	1200/reel	900/reel
"A" (height - in./mm)	0.118/3,00	0.158/4,00
Dimensions: $\frac{\text{Inches}}{\text{mm}}$		
Unless otherwise specified, all tolerances are \pm .004		0,10



Tape and Reel Layout



Notes from Tables

- Inductance at I_{rated} is a typical inductance value measured when the inductor is subjected to the rated current.
- The rated current as listed is either the saturation current @ 25°C or the heating current depending on which value is lower.
- The saturation current I_{sat} is the current which causes the inductance to drop by 20% (typical) at an ambient temperature of 25°C. This current is determined by placing the component in the specified ambient environment and applying a short duration pulse current (to eliminate self-heating effects) to the component.
- The heating current I_{DC} is the DC current which causes the temperature rise of the part to increase by approximately 40°C. This current is determined by mounting the component on a typical application PCB and applying the current to the device for 30 minutes.
- Optional Tape & Reel packaging can be ordered by adding a "T" suffix to the part number (i.e. PF0464.152 becomes PF0464.152T). Pulse complies to industry standard tape and reel specification EIA481.
- The temperature of the component (ambient plus temperature rise) must be within the stated operating temperature range.

Inductance vs Current Characteristics

