

Crystal Oscillator

SG – 645G Series**

Products number

Q33645Gxxxxxx00

- Reflowable and high density mounting type SMD package
- Operable 3.3 V or 5.0 V
- Out put frequencies from 2.500 MHz to 33.000 MHz
- Output enable(OE : P type) or Standby(ST : S type) function allow more low current consumption.

Specifications**1. Absolute Maximum Ratings**

Item	Symbol	PT/PH	PC/SC	Remarks
Storage Temperature	TSTG	-55 °C ~ +125 °C		Stored as bare product
Maximum supply voltage	VDD	-0.5 V ~ 7.0 V		
Maximum input voltage	VIN	-0.5 V ~ VDD+0.5 V		

2. Operating Conditions

Item	Symbol	PT/PH	PC/SC	Remarks
Operating Temperature	TOPR	-40 °C ~ +85 °C		
Operating voltage	VDD	4.5 V ~ 5.5 V	2.7 V ~ 3.6 V	
Input voltage	VIN	GND ~ VDD		
Output load condition	CL	25 pF		

3. Frequency Characteristics

Item	Symbol	PT/PH	PC/SC	Remarks
Output frequency range*	f ₀	2.500 MHz ~ 33.000 MHz		VDD=2.7 V ~ 3.6 V
Frequency stability	f / f ₀	B: $\pm 50 \times 10^{-6}$, C: $\pm 100 \times 10^{-6}$		-20 °C ~ +70 °C
		M: $\pm 100 \times 10^{-6}$		-40 °C ~ +85 °C
Aging	f _a	$\pm 5 \times 10^{-6}$ Max.		+25 °C, VDD=3.3V First year

*Note :

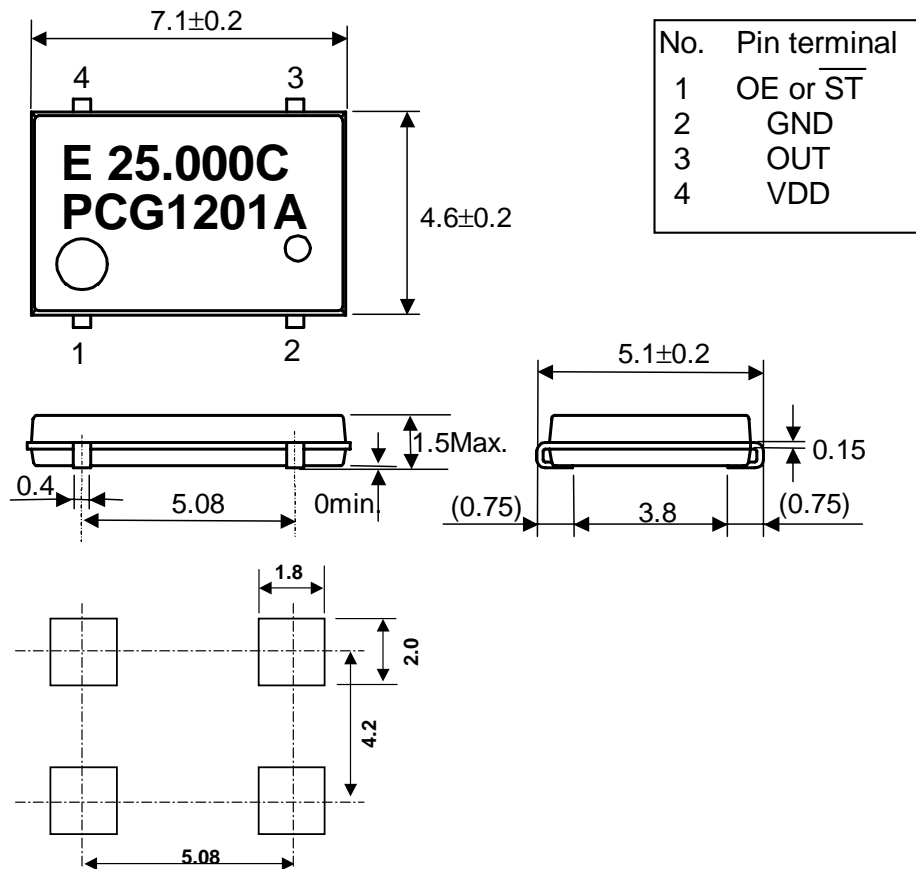
Standard Frequencies (MHz)

2.5	3.6864	5.0	7.3728	10.0	14.7456	20.0	29.4912
2.8125	3.6873625	5.625	7.374725	11.25	14.74945	22.5	29.4989
3.072	3.75	6.144	7.5	12.288	15.0	24.576	30.0
3.125	3.84	6.25	7.68	12.5	15.36	25.0	30.72
3.375	4.0	6.75	8.0	13.5	16.0	27.0	32.0
3.579545	4.096	7.15909	8.192	14.31818	16.384	28.63636	32.768

4. Characteristics

Item	Symbol	PT	PH	PC/SC	Remarks
Current consumption	IOP	25 mA Max.		12 mA Max.	No Load
Disable current	IOE	20 mA Max.		10 mA Max.	OE =GND
Standby current	IST	-		50 µA Max.	ST =GND
OE or ST input voltage	V _{IH}	2.0 V Min.		70 %V _{DD} Min.	
	V _{IL}	0.8 V Max.		20 %V _{DD} Max.	
OE or ST input current	I _{IH}	5 µA Max.			OE or ST = V _{DD}
	I _{IL}	10 µA Max.			OE or ST =GND
Duty	Tw / T	-	45 %~ 55 %		50%V _{DD} , CL= 25 pF
		40 %~ 60 %	-		1.4V Level, CL=25pF
Output voltage	V _{OH}	2.4 V Min.	-	V _{DD} -0.4 V Min.	I _{OH} = - 8 mA
		-	V _{DD} -0.4 V Min.	-	I _{OL} = - 16mA
	V _{OL}	-	0.4 V Max.		I _{OL} = 8 mA
		0.4 V Max	-		I _{OL} = 16mA
Output rise time	tr	-	3.4 ns Max.	4.0 ns Max.	20 % ~ 80 %V _{DD} , CL ≤25 pF
		1.2 ns Max.	-	-	0.8 V ~ 2.0 V, CL≤25 pF
		2.4 ns Max.	-	-	0.4 V ~ 2.4V, CL≤25 pF
Output fall time	tf	-	3.4 ns Max.	4.0 ns Max.	80 % ~ 20 %V _{DD} , CL ≤25 pF
		1.2 ns Max.	-	-	2.0 V ~ 0.8 V, CL ≤25 pF
		2.4 ns Max.	-	-	0.4 V ~ 2.4V, CL≤25 pF
Oscillation start up time	tosc	12 ms Max.			Time at minimum operating voltage to be o s

5. External Dimensions & Recommended soldering pattern (Unit : mm)



ELECTRONIC DEVICE MARKETING DEPARTMENT

EPSON ELECTRONICS AMERICA, INC.

150 River Oaks Parkway, San Jose, CA 95134, U.S.A.

Phone: (1)800-228-3964 (Toll free) : (1)408-922-0200 Fax: (1)408-922-0238

EPSON EUROPE ELECTRONICS GmbH

Riesstrasse 15, 80992 Munich Germany

Phone: (49)-(0)89-14005-0 Fax: (49)-(0)89-14005-110

EPSON (CHINA) CO., LTD.

23F, Beijing Silver Tower 2# North RD DongSangHuan ChaoYang District, Beijing, China

Phone: (86) 10-6410-6655 Fax: (86) 10-6410-7319

EPSON HONG KONG LTD.

20/F., Harbour Centre, 25 Harbour Road, Wanchai, Hong kong

Phone: (852) 2585-4600 Fax: (852) 2827-2152

EPSON TAIWAN TECHNOLOGY & TRADING LTD.

10F, No.287, Nanking East Road, Sec.3, Taipei

Phone: (886) 2-2717-7360 Fax: (886)2-2718-9366

EPSON SINGAPORE PTE. LTD.

No.1, Temasek Avenue #36-00, Millenia Tower, Singapore 039192

Phone: (65) 337-7911 Fax: (65) 334-2716

SEIKO EPSON CORPORATION KOREA Office

50F, KLI 63 Building, 60 Yoido-dong, Youngdeungpo-Ku, Seoul, 150-763, Korea

Phone: (82) 2-784-6027 Fax: (82) 2-767-3677

NOTICE

- No part of this material may be reproduced or duplicated in any form or any means without the written permission of Seiko Epson.
- Seiko Epson reserves the right to make changes to this material without notice.
- Seiko Epson does not assume any liability of any kind arising out of any inaccuracies contained in this material or due to its application or use in any product or circuit and, further, there is no representation that this material is applicable to products requiring high level reliability, such as, medical products.
- Moreover, no license to any intellectual property rights is granted by implication or otherwise, and there is no representation or warranty that anything made in accordance with this material will be free from any patent or copyright infringement of a third party.
- This material or portions thereof may contain technology or the subject relating to strategic products under the control of the Foreign Exchange and Foreign Trade Law of Japan and may require an export license from the Ministry of international Trade and industry or other approval from another government agency.

© SEIKO EPSON CORPORATION 2001

Electronic devices information on WWW server

<http://www.epsondevice.com>



Issued on Nov.,2001