

# LM96000

## Hardware Monitor with Integrated Fan Control

### General Description

The LM96000, hardware monitor, has a two wire digital interface compatible with SMBus 2.0. Using an 8-bit  $\Sigma\Delta$  ADC, the LM96000 measures:

- the temperature of two remote diode connected transistors as well as its own die
- the VCCP, 2.5V, 3.3VSBY, 5.0V, and 12V supplies (internal scaling resistors).

To set fan speed, the LM96000 has three PWM outputs that are each controlled by one of three temperature zones. High and low PWM frequency ranges are supported. The LM96000 includes a digital filter that can be invoked to smooth temperature readings for better control of fan speed. The LM96000 has four tachometer inputs to measure fan speed. Limit and status registers for all measured values are included.

### Features

- 2-wire, SMBus 2.0 compliant, serial digital interface
- 8-bit  $\Sigma\Delta$  ADC
- Monitors VCCP, 2.5V, 3.3 VSBY, 5.0V, and 12V motherboard/processor supplies
- Monitors 2 remote thermal diodes
- Programmable autonomous fan control based on temperature readings

- Noise filtering of temperature reading for fan control
- 1.0°C digital temperature sensor resolution
- 3 PWM fan speed control outputs
- Provides high and low PWM frequency ranges
- 4 fan tachometer inputs
- Monitors 5 VID control lines
- 24-pin TSSOP package
- XOR-tree test mode

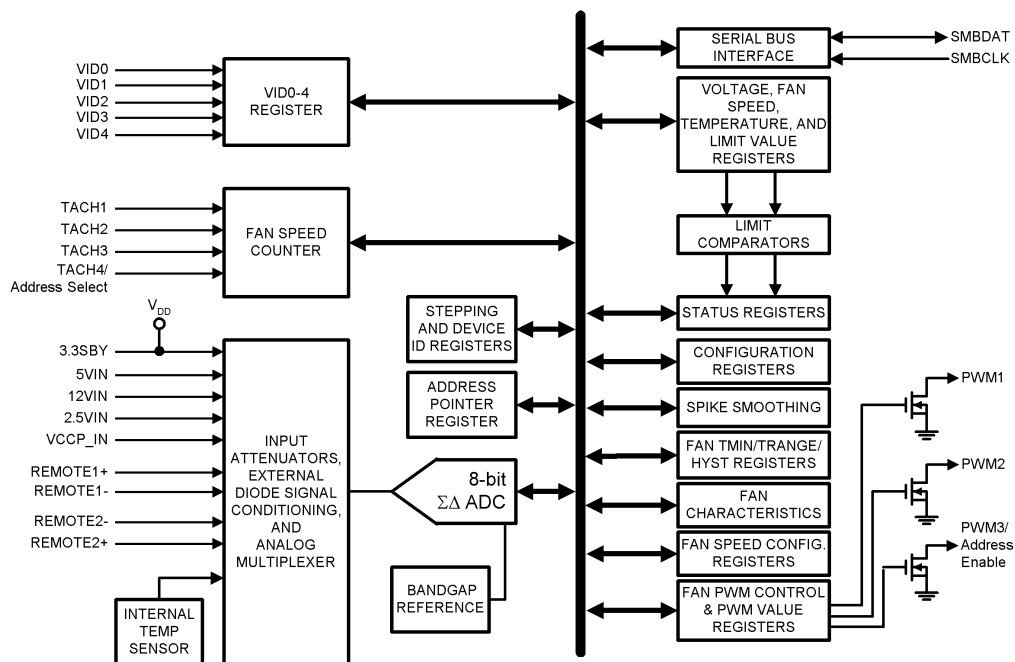
### Key Specifications

- |                                |                |
|--------------------------------|----------------|
| ■ Voltage Measurement Accuracy | ±2% FS (max)   |
| ■ Resolution                   | 8-bits, 1°C    |
| ■ Temperature Sensor Accuracy  | ±3°C (max)     |
| ■ Temperature Range            |                |
| — LM96000 Operational          | 0°C to +85°C   |
| — Remote Temp Accuracy         | 0°C to +125°C  |
| ■ Power Supply Voltage         | +3.0V to +3.6V |
| ■ Power Supply Current         | 0.53 mA        |

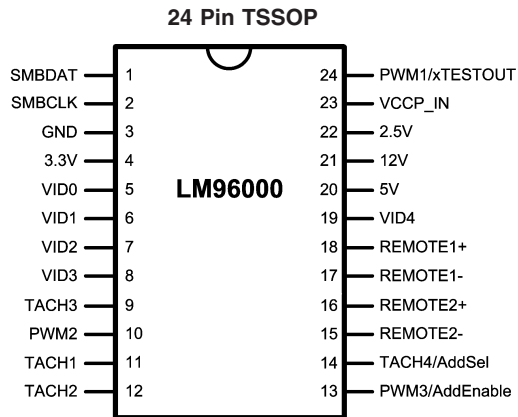
### Applications

- Desktop PC
- Microprocessor based equipment (e.g. Base-stations, Routers, ATMs, Point of Sales)

### Block Diagram



## Connection Diagram



20084602

**NS Package MTC24E**  
**Top View**  
**LM96000CIMT (61 units per rail), or**  
**LM96000CIMTX (2500 units per tape and reel)**

## Pin Descriptions

|                            | Symbol  | Pin | Type                        | Name and Function/Connection  |
|----------------------------|---------|-----|-----------------------------|---|
| <b>SMBus</b>               | SMBDAT  | 1   | Digital I/O<br>(Open-Drain) | System Management Bus Data. Open-drain output. 5V tolerant, SMBus 2.0 compliant.  |
|                            | SMBCLK  | 2   | Digital Input               | System Management Bus Clock. Tied to Open-drain output. 5V tolerant, SMBus 2.0 compliant.   |
| <b>Processor VID Lines</b> | VID0    | 5   | Digital Input               | Voltage identification signal from the processor. This value is read in the VID0–VID4 Status Register.  |
|                            | VID1    | 6   | Digital Input               | Voltage identification signal from the processor. This value is read in the VID0–VID4 Status Register.  |
|                            | VID2    | 7   | Digital Input               | Voltage identification signal from the processor. This value is read in the VID0–VID4 Status Register.  |
|                            | VID3    | 8   | Digital Input               | Voltage identification signal from the processor. This value is read in the VID0–VID4 Status Register.  |
|                            | VID4    | 19  | Digital Input               | Voltage identification signal from the processor. This value is read in the VID0–VID4 Status Register.  |
| <b>Power</b>               | 3.3V    | 4   | POWER                       | +3.3V pin. Can be powered by +3.3V Standby power if monitoring in low power states is required. This pin also serves as the analog input to monitor the 3.3V supply. This pin should be bypassed with a 0.1µf capacitor in parallel with 100pf. A bulk capacitance of approximately 10µf needs to be in the near vicinity of the LM96000. |
|                            | GND     | 3   | GROUND                      | Ground for all analog and digital circuitry.  |
| <b>Voltage Inputs</b>      | 5V      | 20  | Analog Input                | Analog input for +5V monitoring.  |
|                            | 12V     | 21  | Analog Input                | Analog input for +12V monitoring.   |
|                            | 2.5V    | 22  | Analog Input                | Analog input for +2.5V monitoring.  |
|                            | VCCP_IN | 23  | Analog Input                | Analog input for VCCP (processor voltage) monitoring.   |

## Pin Descriptions (Continued)

|                       | Symbol               | Pin | Type                                 | Name and Function/Connection   |
|-----------------------|----------------------|-----|--------------------------------------|--|
| Remote                | Remote1+             | 18  | Remote Thermal Diode Positive Input  | Positive input (current source) from the first remote thermal diode. Serves as the positive input into the A/D. Connected to THERMDA pin of Pentium processor or the base of a diode connected MMBT3904 NPN transistor.  |
|                       | Remote1-             | 17  | Remote Thermal Diode Negative Input  | Negative input (current sink) from the first remote thermal diode. Serves as the negative input into the A/D. Connected to THERMDC pin of Pentium processor or the emitter of a diode connected MMBT3904 NPN transistor. |
|                       | Remote2+             | 16  | Remote Thermal Diode Positive Output | Positive input (current source) from the first remote thermal diode. Serves as the positive input into the A/D. Connected to THERMDA pin of Pentium processor or the base of a diode connected MMBT3904 NPN transistor.  |
|                       | Remote2-             | 15  | Remote Thermal Diode Negative Input  | Negative input (current sink) from the first remote thermal diode. Serves as the negative input into the A/D. Connected to THERMDC pin of Pentium processor or the emitter of a diode connected MMBT3904 NPN transistor. |
| Fan Tachometer Inputs | TACH1                | 11  | Digital Input                        | Input for monitoring tachometer output of fan 1.   |
|                       | TACH2                | 12  | Digital Input                        | Input for monitoring tachometer output of fan 2.   |
|                       | TACH3                | 9   | Digital Input                        | Input for monitoring tachometer output of fan 3.   |
|                       | TACH4/Address Select | 14  | Digital Input                        | Input for monitoring tachometer output of fan 4. If in Address Select Mode, determines the SMBus address of the LM96000.   |
| Fan Control           | PWM1/xTest Out       | 24  | Digital Open-Drain Output            | Fan speed control 1. When in XOR tree test mode, functions as XOR Tree output.   |
|                       | PWM2                 | 10  | Digital Open-Drain Output            | Fan speed control 2.   |
|                       | PWM3/Address Enable  | 13  | Digital Open-Drain Output            | Fan speed control 3. Pull to ground at power on to enable Address Select Mode (Address Select pin controls SMBus address of the device).   |

**Absolute Maximum Ratings** (Notes 1, 2)

If Military/Aerospace specified devices are required, please contact the National Semiconductor Sales Office/Distributors for availability and specifications.

|  |                       |
|--|-----------------------|
| Supply Voltage, V+                           | -0.5V to 6.0V         |
| Voltage on Any Digital Input or Output Pin   | -0.5V to 6.0V         |
| Voltage on 12V Analog Input                  | -0.5V to 16V          |
| Voltage on 5V Analog Input                   | -0.5V to 6.66V        |
| Voltage on Remote1+, Remote2+,               | -0.5V to (V+ + 0.05V) |
| Current on Remote1-, Remote2-                | ±1 mA                 |
| Voltage on Other Analog Inputs               | -0.5V to 6.0V         |
| Input Current on Any Pin (Note 3)            | ±5 mA                 |
| Package Input Current (Note 3)               | ±20 mA                |
| Package Dissipation at T <sub>A</sub> = 25°C | See (Note 5)          |
| ESD Susceptibility (Note 4)                  |                       |
| Human Body Model                             | 2500V                 |
| Machine Model                                | 250V                  |

Storage Temperature -65°C to +150°C  
*Soldering process must comply with National's reflow temperature profile specifications. Refer to www.national.com/packaging/. (Note 6)*

**Operating Ratings** (Notes 1, 2)

|                                     |                               |
|-------------------------------------|-------------------------------|
| LM96000 Operating Temperature Range | 0°C ≤ T <sub>A</sub> ≤ +85°C  |
| Remote Diode Temperature Range      | 0°C ≤ T <sub>D</sub> ≤ +125°C |
| Supply Voltage (3.3V nominal)       | +3.0V to +3.6V                |
| V <sub>IN</sub> Voltage Range       |                               |
| +12V V <sub>IN</sub>                | -0.05V to 16V                 |
| +5V V <sub>IN</sub>                 | -0.05V to 6.66V               |
| +3.3V V <sub>IN</sub>               | 3.0V to 4.4V                  |
| VCCP_IN and All Other Inputs        | -0.05V to (V+ + 0.05V)        |
| VID0-VID4                           | -0.05V to 5.5V                |
| Typical Supply Current              | 0.53 mA                       |

**DC Electrical Characteristics**

The following specifications apply for V+ = 3.0V to 3.6V, and all analog input source impedance R<sub>S</sub> = 50Ω unless otherwise specified in conditions. **Boldface limits apply for T<sub>A</sub> = T<sub>J</sub> over T<sub>MIN</sub> = 0°C to T<sub>MAX</sub> = 85°C;** all other limits T<sub>A</sub> = T<sub>J</sub> = 25°C. T<sub>A</sub> is the ambient temperature of the LM96000; T<sub>J</sub> is the junction temperature of the LM96000; T<sub>D</sub> is the thermal diode junction temperature.

| Symbol  | Parameter   | Conditions   | Typical (Note 7) | Limits (Note 8) | Units (Limits) |          |
|---|---|--|------------------|-----------------|----------------|----------|
| <b>POWER SUPPLY CHARACTERISTICS</b>                     |   |  |                  |                 |                |          |
|   | Supply Current (Note 9)   | Converting, Interface and Fans Inactive, Peak Current    | 1.8              | <b>3.5</b>      | mA (max)       |          |
|   |   | Converting, Interface and Fans Inactive, Average Current | 0.53             |                 | mA             |          |
|   | Power-On Reset Threshold Voltage                                      |  |                  | <b>1.6</b>      | V (min)        |          |
|   |   |  |                  | <b>2.8</b>      | V (max)        |          |
| <b>TEMPERATURE TO DIGITAL CONVERTER CHARACTERISTICS</b> |   |  |                  |                 |                |          |
|   | Resolution  |  | 1<br>8           |                 | °C<br>Bits     |          |
|   | Temperature Accuracy (See (Note 10) for Thermal Diode Processor Type) | T <sub>D</sub> =25°C                                     |                  | ±2.5            | °C (max)       |          |
|   |   | T <sub>D</sub> =0°C to 100°C                             |                  | ±1              | <b>±3</b>      | °C (max) |
|   |   | T <sub>D</sub> =100°C to 125°C                           |                  |                 | <b>±4</b>      | °C (max) |
|   | Temperature Accuracy using Internal Diode (Note 11)                   |  | ±1               | <b>±3</b>       | °C (max)       |          |
| I <sub>DS</sub>   | External Diode Current Source   | High Level   | 188              | 280             | μA (max)       |          |
|   |   | Low Level  | 11.75            |                 | μA             |          |
|   | External Diode Current Ratio  |  | 16               |                 |                |          |
| <b>ANALOG TO DIGITAL CONVERTER CHARACTERISTICS</b>      |   |  |                  |                 |                |          |
| TUE   | Total Unadjusted Error (Note 12)                                      |  |                  | <b>±2</b>       | %FS (max)      |          |
| DNL   | Differential Non-linearity  |  | 1                |                 | LSB            |          |
|   | Power Supply Sensitivity  |  | ±1               |                 | %/V            |          |
|   | Total Monitoring Cycle Time (Note 13)                                 | All Voltage and Temperature readings                     | 182              | <b>200</b>      | ms (max)       |          |

## DC Electrical Characteristics (Continued)

The following specifications apply for  $V_+ = 3.0V$  to  $3.6V$ , and all analog input source impedance  $R_S = 50\Omega$  unless otherwise specified in conditions. **Boldface limits apply for  $T_A = T_J$  over  $T_{MIN} = 0^\circ C$  to  $T_{MAX} = 85^\circ C$** ; all other limits  $T_A = T_J = 25^\circ C$ .  $T_A$  is the ambient temperature of the LM96000;  $T_J$  is the junction temperature of the LM96000;  $T_D$  is the thermal diode junction temperature.

| Symbol  | Parameter                           | Conditions               | Typical<br>(Note 7) | Limits<br>(Note 8)       | Units<br>(Limits)                    |
|---|-------------------------------------|--------------------------|---------------------|--------------------------|--------------------------------------|
|   | Input Resistance, all analog inputs |                          | 210                 | <b>140</b><br><b>400</b> | k $\Omega$ (min)<br>k $\Omega$ (max) |
| <b>DIGITAL OUTPUT: PWM1, PWM2, PWM3, XTESTOUT</b> |                                     |                          |                     |                          |                                      |
| $I_{OL}$  | Logic Low Sink Current              | $V_{OL} = 0.4V$          |                     | <b>8</b>                 | mA (min)                             |
| $V_{OL}$  | Logic Low Level                     | $I_{OUT} = +8\text{ mA}$ |                     | <b>0.4</b>               | V (max)                              |
| <b>SMBUS OPEN-DRAIN OUTPUT: SMBDAT</b>            |                                     |                          |                     |                          |                                      |
| $V_{OL}$  | Logic Low Output Voltage            | $I_{OUT} = +4\text{ mA}$ |                     | <b>0.4V</b>              | V (max)                              |
| $I_{OH}$  | High Level Output Current           | $V_{OUT} = V_+$          | 0.1                 | <b>10</b>                | $\mu A$ (max)                        |
| <b>SMBUS INPUTS: SMBCLK, SMBDAT</b>               |                                     |                          |                     |                          |                                      |
| $V_{IH}$  | Logic Input High Voltage            |                          |                     | <b>2.1</b>               | V (min)                              |
| $V_{IL}$  | Logic Input Low Voltage             |                          |                     | <b>0.8</b>               | V (max)                              |
| $V_{HYST}$  | Logic Input Hysteresis Voltage      |                          | 300                 |                          | mV                                   |
| <b>DIGITAL INPUTS: ALL</b>                        |                                     |                          |                     |                          |                                      |
| $V_{IH}$  | Logic Input High Voltage            |                          |                     | <b>2.1</b>               | V (min)                              |
| $V_{IL}$  | Logic Input Low Voltage             |                          |                     | <b>0.8</b>               | V (max)                              |
| $V_{TH}$  | Logic Input Threshold Voltage       |                          | 1.5                 |                          | V                                    |
| $I_{IH}$  | Logic High Input Current            | $V_{IN} = V_+$           | 0.005               | <b>10</b>                | $\mu A$ (max)                        |
| $I_{IL}$  | Logic Low Input Current             | $V_{IN} = GND$           | -0.005              | <b>-10</b>               | $\mu A$ (max)                        |
| $C_{IN}$  | Digital Input Capacitance           |                          | 20                  |                          | pF                                   |

## AC Electrical Characteristics

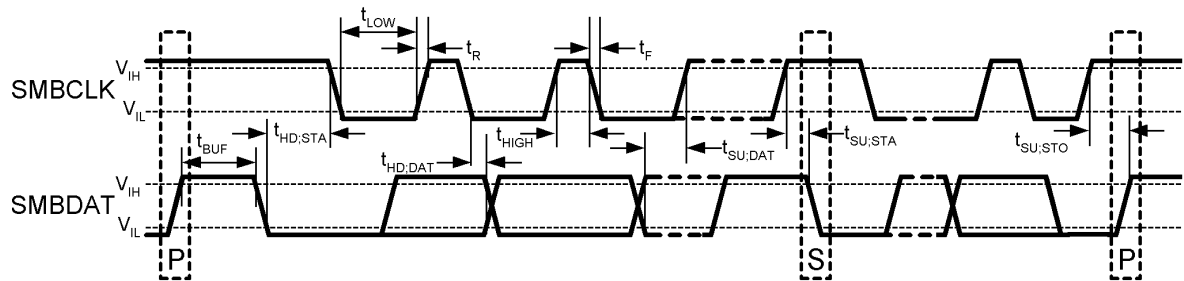
The following specifications apply for  $V_+ = 3.0V$  to  $3.6V$  unless otherwise specified in conditions. **Boldface limits apply for  $T_A = T_J$  over  $T_{MIN} = 0^\circ C$  to  $T_{MAX} = 85^\circ C$** ; all other limits  $T_A = T_J = 25^\circ C$ .

| Symbol                              | Parameter                      | Conditions          | Typical<br>(Note 7) | Limits<br>(Note 8)         | Units<br>(Limits)      |
|-------------------------------------|--------------------------------|---------------------|---------------------|----------------------------|------------------------|
| <b>TACHOMETER ACCURACY</b>          |                                |                     |                     |                            |                        |
|                                     | Fan Count Accuracy             |                     |                     | <b><math>\pm 10</math></b> | % (max)                |
|                                     | Fan Full-Scale Count           |                     |                     | <b>65536</b>               | (max)                  |
|                                     | Fan Counter Clock Frequency    |                     | 90                  |                            | kHz                    |
|                                     | Fan Count Conversion Time      |                     | 0.7                 | <b>1.4</b>                 | sec (max)              |
| <b>FAN PWM OUTPUT</b>               |                                |                     |                     |                            |                        |
|                                     | Frequency Setting Accuracy     |                     |                     | <b><math>\pm 10</math></b> | % (max)                |
|                                     | Frequency Range                |                     | 10<br>30            |                            | Hz<br>kHz              |
|                                     | Duty-Cycle Range               | Low frequency range |                     | <b>0 to 100</b>            | % (max)                |
|                                     | Duty-Cycle Resolution (8-bits) |                     | 0.390625            |                            | %                      |
|                                     | Spin-Up Time Interval Range    |                     | 100<br>4000         |                            | ms ms                  |
|                                     | Spin-Up Time Interval Accuracy |                     |                     | <b><math>\pm 10</math></b> | % (max)                |
| <b>SPIKE SMOOTHING FILTER</b>       |                                |                     |                     |                            |                        |
|                                     | Time Interval Deviation        |                     |                     | <b><math>\pm 10</math></b> | % (max)                |
|                                     | Time Interval Range            |                     | 35<br>0.8           |                            | sec<br>sec             |
| <b>SMBUS TIMING CHARACTERISTICS</b> |                                |                     |                     |                            |                        |
| $f_{SMB}$                           | SMBus Operating Frequency      |                     |                     | <b>10</b><br><b>100</b>    | kHz (min)<br>kHz (max) |

## AC Electrical Characteristics (Continued)

The following specifications apply for  $V_+ = 3.0V$  to  $3.6V$  unless otherwise specified in conditions. **Boldface limits apply for  $T_A = T_J$  over  $T_{MIN} = 0^\circ C$  to  $T_{MAX} = 85^\circ C$** ; all other limits  $T_A = T_J = 25^\circ C$ .

| Symbol        | Parameter  | Conditions   | Typical<br>(Note 7) | Limits<br>(Note 8) | Units<br>(Limits) |
|---------------|--|--------------|---------------------|--------------------|-------------------|
| $t_{BUF}$     | SMBus Free Time Between Stop And Start Condition   |              |                     | <b>4.7</b>         | $\mu s$ (min)     |
| $t_{HD\_STA}$ | Hold Time After (Repeated) Start Condition (after this period, the first clock is generated) |              |                     | <b>4.0</b>         | $\mu s$ (min)     |
| $t_{SU:STA}$  | Repeated Start Condition Setup Time  |              |                     | <b>4.7</b>         | $\mu s$ (min)     |
| $t_{SU:STO}$  | Stop Condition Setup Time  |              |                     | <b>4.0</b>         | $\mu s$ (min)     |
| $t_{HD:DAT}$  | Data Output Hold Time  |              |                     | <b>300</b>         | ns (min)          |
|               |  |              |                     | <b>930</b>         | ns (max)          |
| $t_{SU:DAT}$  | Data Input Setup Time  |              |                     | <b>250</b>         | ns (min)          |
| $t_{TIMEOUT}$ | Data And Clock Low Time To Reset Of SMBus Interface Logic(Note 14)                           |              |                     | <b>25</b>          | ms (min)          |
|               |  |              |                     | <b>35</b>          | ms (max)          |
| $t_{LOW}$     | Clock Low Period   |              |                     | <b>4.7</b>         | $\mu s$ (min)     |
| $t_{HIGH}$    | Clock High Period  |              |                     | <b>4.0</b>         | $\mu s$ (min)     |
|               |  |              |                     | <b>50</b>          | $\mu s$ (max)     |
| $t_F$         | Clock/Data Fall Time   |              |                     | <b>300</b>         | ns (max)          |
| $t_R$         | Clock/Data Rise Time   |              |                     | <b>1000</b>        | ns (max)          |
| $t_{POR}$     | Time from Power-On-Reset to LM96000 Reset and Operational                                    | $V_+ > 2.8V$ |                     | <b>500</b>         | ms (max)          |



**Note 1:** Absolute Maximum Ratings indicate limits beyond which damage to the device may occur. Operating Ratings indicate conditions for which the device is functional, but do not guarantee specific performance limits. For guaranteed specifications and test conditions, see the Electrical Characteristics. The guaranteed specifications apply only for the test conditions listed. Some performance characteristics may degrade when the device is not operated under the listed test conditions.

**Note 2:** All voltages are measured with respect to GND, unless otherwise noted.

**Note 3:** When the input voltage ( $V_{IN}$ ) at any pin exceeds the power supplies ( $V_{IN} < GND$  or  $V_{IN} > V_+$ ), the current at that pin should be limited to 5mA. The 20mA maximum package input current rating limits the number of pins that can safely exceed the power supplies with an input current of 5mA to four. Parasitic components and/or ESD protection circuitry are shown below for the LM96000's pins. The nominal breakdown voltage the zener is 6.5V. Care should be taken not to forward bias the parasitic diode D1 present on pins D+ and D-. Doing so by more than 50 mV may corrupt temperature measurements. SNP stands for snap-back device.

| Pin # | Pin Name       | Circuit | All Input Circuits |
|-------|----------------|---------|--------------------|
| 1     | SMBDAT         | A       |                    |
| 2     | SMBCLK         |         |                    |
| 3     | GND            | B       |                    |
| 4     | 3.3V           |         |                    |
| 5     | VID0           | A       |                    |
| 6     | VID1           |         |                    |
| 7     | VID2           |         |                    |
| 8     | VID3           |         |                    |
| 9     | TACH3          |         |                    |
| 10    | PWM2           |         |                    |
| 11    | TACH1          | C       |                    |
| 12    | TACH2          |         |                    |
| 13    | PWM3/AddEnable |         |                    |
| 14    | TACH4/AddSel   |         |                    |
| 15    | REMOTE2-       | C       |                    |
| 16    | REMOTE2+       | D       |                    |
| 17    | REMOTE1-       | C       |                    |
| 18    | REMOTE1+       | D       |                    |
| 19    | VID4           | A       |                    |
| 20    | 5V             | E       |                    |
| 21    | 12V            |         |                    |
| 22    | 2.5V           |         |                    |
| 23    | VCCP_IN        | A       |                    |
| 24    | PWM1/xTEXTOUT  |         |                    |

**Note 4:** Human body model, 100pF discharged through a 1.5kΩ resistor. Machine model, 200pF discharged directly into each pin.

**Note 5:** Thermal resistance junction-to-ambient when attached to a double-sided printed circuit board with 1 oz. foil is 113 °C/W.

**Note 6:** Reflow temperature profiles are different for packages containing lead (Pb) than for those that do not.

**Note 7:** Typical values are at  $T_A = 25^\circ\text{C}$  and represent most likely parametric norm.

**Note 8:** Limits are guaranteed to National's AOQL (Average Outgoing Quality Level).

**Note 9:** The average current can be calculated from the peak current using the following equation:

Quiescent current will not increase substantially with an SMBus transaction.

**Note 10:** The accuracy of the LM96000C1MT is guaranteed when using the thermal diode of Intel Pentium 4 90nm processors or any thermal diode with a non-ideality of 1.011 and series resistance of 3.33Ω. When using a 2N3904 type transistor as a thermal diode the error band will be typically shifted by  $-?^\circ\text{C}$ .

**Note 11:** Local temperature accuracy does not include the effects of self-heating. The rise in temperature due to self-heating is the product of the internal power dissipation of the LM96000 and the thermal resistance. See (Note 5) for the thermal resistance to be used in the self-heating calculation.

**Note 12:** TUE, total unadjusted error, includes ADC gain, offset, linearity and reference errors. TUE is defined as the "actual  $V_{in}$ " to achieve a given code transition minus the "theoretical  $V_{in}$ " for the same code. Therefore, a positive error indicates that the input voltage is greater than the theoretical input voltage for a given code. If the theoretical input voltage was applied to an LM96000 that has positive error, the LM96000's reading would be less than the theoretical.

**Note 13:** This specification is provided only to indicate how often temperature and voltage data is updated. The LM96000 can be read at any time without regard to conversion state (and will yield last conversion result).

**Note 14:** Holding the SMBDAT and/or SMBCLK lines Low for a time interval greater than  $t_{TIMEOUT}$  will reset the LM96000's SMBus state machine, therefore setting the SMBDAT pin to a high impedance state.

## Functional Description

### 1.0 SMBUS

The LM96000 is compatible with devices that are compliant to the SMBus 2.0 specification. More information on this bus can be found at: <http://www.smbus.org/>. Compatibility of SMBus2.0 to other buses is discussed in the SMBus 2.0 specification.

#### 1.1 Addressing

LM96000 is designed to be used primarily in desktop systems that require only one monitoring device.

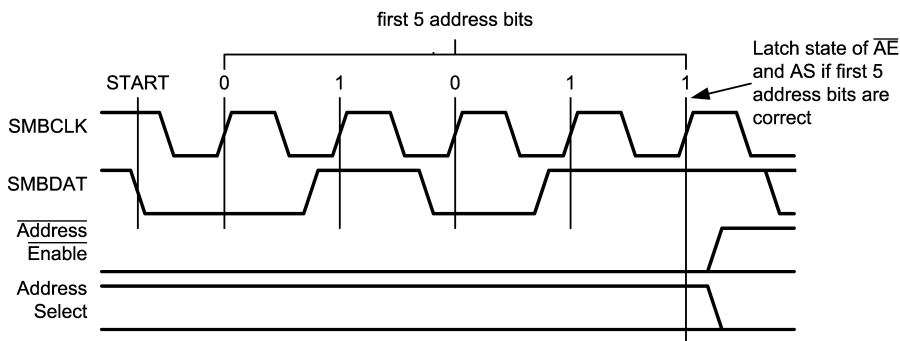
If only one LM96000 is used on the motherboard, the designer should be sure that the Address Enable/PWM3 pin is High during the first SMBus communication addressing the LM96000. Address Enable/PWM3 is an open drain I/O pin that at power-on defaults to the input state of Address Enable. A maximum of 10k pull-up resistance on Address Enable/PWM3 is required to assure that the SMBus address of the device will be locked at 010 1110b, which is the default address of the LM96000.

During the first SMBus communication TACH4 and PWM3 can be used to change the SMBus address of the LM96000 to 0101101b or 0101100b. LM96000 address selection procedure:

A 10 k $\Omega$  pull-down resistor to ground on the Address Enable/PWM3 pin is required. Upon power up, the LM96000 will be placed into Address Enable mode and assign itself an SMBus address according to the state of the Address Select input. The LM96000 will latch the address during the first valid SMBus transaction in which the first five bits of the targeted address match those of the LM96000 address, 0 1011b. This feature eliminates the possibility of a glitch on the SMBus interfering with address selection. When the PWM3/Address Enable pin is not used to change the SMBus address of the LM96000, it will remain in a high state until the first communication with the LM96000. After the first SMBus transaction is completed PWM3 and TACH4 will return to normal operation.

| Address Enable | Address Select | Board Implementation                                      | SMBus Address  |
|----------------|----------------|---|----------------|
| 0              | 0              | Pulled to ground through a 10 k $\Omega$ resistor         | 010 1100b, 2Ch |
| 0              | 1              | Pulled to 3.3V or to GND through a 10 k $\Omega$ resistor | 010 1101b, 2Dh |
| 1              | X              | Pulled to 3.3V through a 10 k $\Omega$ resistor           | 010 1110b, 2Eh |

In this way, up to three LM96000 devices can exist on an SMBus at any time. Multiple LM96000 devices can be used to monitor additional processors and temperature zones. When using the non-default addresses additional circuitry will be required if TACH4 and PWM3 require to function correctly. Such circuitry could consist of GPIO pins from a micro-controller. During the first communication the micro-controller would drive the Address Enable and Address Select pins to the proper state for the required address. After the first SMBus communication the micro-controller would drive its pins into TRISTATE allowing TACH4 and PWM3 to operate correctly.



20084604

### 2.0 FAN REGISTER DEVICE SET-UP

The BIOS will follow the following steps to configure the fan registers on the LM96000. The registers corresponding to each function are listed. All steps may not be necessary if default values are acceptable. Regardless of all changes made by the BIOS to the fan limit and parameter registers during configuration, the LM96000 will continue to operate based on default values until the START bit (bit 0), in the Ready/Lock/Start/Override register (address 40h), is set. Once the fan mode is updated, by setting the START bit to 1, the LM96000 will operate using the values that were set by the BIOS in the fan control limit and parameter registers (address 5Ch through 6Eh).



## Functional Description (Continued)

- Set limits and parameters (not necessarily in this order):
  - [5F-61h] Set PWM frequencies and auto fan control range.
  - [62-63h] Set spike smoothing and min/off.
  - [5C-5Eh] Set the fan spin-up delays.
  - [5C-5Eh] Match each fan with a corresponding thermal zone.
  - [67-69h] Set the fan temperature limits.
  - [6A-6Ch] Set the temperature absolute limits.
  - [64-66h] Set the PWM minimum duty cycle.
  - [6D-6Eh] Set the temperature Hysteresis values.
- [40h] Set bit 0 (START) to update fan control and limit register values and start fan control based on these new values.
- [40h] Set bit 1 (LOCK) to lock the fan limit and parameter registers (optional).

### 3.0 AUTO FAN CONTROL OPERATING MODE

The LM96000 includes the circuitry for automatic fan control. In Auto Fan Mode, the LM96000 will automatically adjust the PWM duty cycle of the PWM outputs. PWM outputs are assigned to a thermal zone based on the fan configuration registers. It is possible to have more than one PWM output assigned to a thermal zone. For example, PWM outputs 2 and 3, connected to two chassis fans, may both be controlled by thermal zone 2. At any time, the temperature of a zone exceeds its absolute limit, all PWM outputs will go to 100% duty cycle to provide maximum cooling to the system.

### 4.0 REGISTER SET

| Register Address | Read/Write | Register Name               | Bit 7 (MSB) | Bit 6 | Bit 5 | Bit 4 | Bit 3 | Bit 2 | Bit 1  | Bit 0 (LSB) | Default Value | Lock? |
|------------------|------------|-----------------------------|-------------|-------|-------|-------|-------|-------|--------|-------------|---------------|-------|
| 20h              | R          | 2.5V                        | 7           | 6     | 5     | 4     | 3     | 2     | 1      | 0           | N/A           |       |
| 21h              | R          | VCCP_IN                     | 7           | 6     | 5     | 4     | 3     | 2     | 1      | 0           | N/A           |       |
| 22h              | R          | 3.3V                        | 7           | 6     | 5     | 4     | 3     | 2     | 1      | 0           | N/A           |       |
| 23h              | R          | 5V                          | 7           | 6     | 5     | 4     | 3     | 2     | 1      | 0           | N/A           |       |
| 24h              | R          | 12V                         | 7           | 6     | 5     | 4     | 3     | 2     | 1      | 0           | N/A           |       |
| 25h              | R          | Processor (Zone1) Temp      | 7           | 6     | 5     | 4     | 3     | 2     | 1      | 0           | N/A           |       |
| 26h              | R          | Internal (Zone2) Temp       | 7           | 6     | 5     | 4     | 3     | 2     | 1      | 0           | N/A           |       |
| 27h              | R          | Remote (Zone3) Temp         | 7           | 6     | 5     | 4     | 3     | 2     | 1      | 0           | N/A           |       |
| 28h              | R          | Tach1 LSB                   | 7           | 6     | 5     | 4     | 3     | 2     | LEVEL1 | LEVEL0      | N/A           |       |
| 29h              | R          | Tach1 MSB                   | 15          | 14    | 13    | 12    | 11    | 10    | 9      | 8           | N/A           |       |
| 2Ah              | R          | Tach2 LSB                   | 7           | 6     | 5     | 4     | 3     | 2     | LEVEL1 | LEVEL0      | N/A           |       |
| 2Bh              | R          | Tach2 MSB                   | 15          | 14    | 13    | 12    | 11    | 10    | 9      | 8           | N/A           |       |
| 2Ch              | R          | Tach3 LSB                   | 7           | 6     | 5     | 4     | 3     | 2     | LEVEL1 | LEVEL0      | N/A           |       |
| 2Dh              | R          | Tach3 MSB                   | 15          | 14    | 13    | 12    | 11    | 10    | 9      | 8           | N/A           |       |
| 2Eh              | R          | Tach4 LSB                   | 7           | 6     | 5     | 4     | 3     | 2     | LEVEL1 | LEVEL0      | N/A           |       |
| 2Fh              | R          | Tach4 MSB                   | 15          | 14    | 13    | 12    | 11    | 10    | 9      | 8           | N/A           |       |
| 30h              | R/W        | Fan1 Current PWM Duty       | 7           | 6     | 5     | 4     | 3     | 2     | 1      | 0           | N/A           |       |
| 31h              | R/W        | Fan2 Current PWM Duty       | 7           | 6     | 5     | 4     | 3     | 2     | 1      | 0           | N/A           |       |
| 32h              | R/W        | Fan3 Current PWM Duty       | 7           | 6     | 5     | 4     | 3     | 2     | 1      | 0           | N/A           |       |
| 3Eh              | R          | Company ID                  | 7           | 6     | 5     | 4     | 3     | 2     | 1      | 0           | 01h           |       |
| 3Fh              | R          | Version/Stepping            | VER3        | VER2  | VER1  | VER0  | STP3  | STP2  | STP1   | STP0        | 68h           |       |
| 40h              | R/W        | Ready/Lock/Start/Override   | RES         | RES   | RES   | RES   | OVRID | READY | LOCK   | START       | 00h           |       |
| 41h              | R          | Interrupt Status Register 1 | ERR         | ZN3   | ZN2   | ZN1   | 5V    | 3.3V  | VCCP   | 2.5V        | 00h           |       |
| 42h              | R          | Interrupt Status Register 2 | ERR2        | ERR1  | FAN4  | FAN3  | FAN2  | FAN1  | RES    | 12V         | 00h           |       |
| 43h              | R          | VID0-4                      | RES         | RES   | RES   | VID4  | VID3  | VID2  | VID1   | VID0        | N/A           |       |
| 44h              | R/W        | 2.5V Low Limit              | 7           | 6     | 5     | 4     | 3     | 2     | 1      | 0           | 00h           |       |
| 45h              | R/W        | 2.5V High Limit             | 7           | 6     | 5     | 4     | 3     | 2     | 1      | 0           | FFh           |       |
| 46h              | R/W        | VCCP Low Limit              | 7           | 6     | 5     | 4     | 3     | 2     | 1      | 0           | 00h           |       |
| 47h              | R/W        | VCCP High Limit             | 7           | 6     | 5     | 4     | 3     | 2     | 1      | 0           | FFh           |       |
| 48h              | R/W        | 3.3V Low Limit              | 7           | 6     | 5     | 4     | 3     | 2     | 1      | 0           | 00h           |       |

## Functional Description (Continued)

| Register Address | Read/Write | Register Name                  | Bit 7 (MSB) | Bit 6 | Bit 5 | Bit 4 | Bit 3 | Bit 2 | Bit 1 | Bit 0 (LSB) | Default Value | Lock? |
|------------------|------------|--------------------------------|-------------|-------|-------|-------|-------|-------|-------|-------------|---------------|-------|
| 49h              | R/W        | 3.3V High Limit                | 7           | 6     | 5     | 4     | 3     | 2     | 1     | 0           | FFh           |       |
| 4Ah              | R/W        | 5V Low Limit                   | 7           | 6     | 5     | 4     | 3     | 2     | 1     | 0           | 00h           |       |
| 4Bh              | R/W        | 5V High Limit                  | 7           | 6     | 5     | 4     | 3     | 2     | 1     | 0           | FFh           |       |
| 4Ch              | R/W        | 12V Low Limit                  | 7           | 6     | 5     | 4     | 3     | 2     | 1     | 0           | 00h           |       |
| 4Dh              | R/W        | 12V High Limit                 | 7           | 6     | 5     | 4     | 3     | 2     | 1     | 0           | FFh           |       |
| 4Eh              | R/W        | Processor (Zone1) Low Temp     | 7           | 6     | 5     | 4     | 3     | 2     | 1     | 0           | 81h           |       |
| 4Fh              | R/W        | Processor (Zone1) High Temp    | 7           | 6     | 5     | 4     | 3     | 2     | 1     | 0           | 7Fh           |       |
| 50h              | R/W        | Internal (Zone2) Low Temp      | 7           | 6     | 5     | 4     | 3     | 2     | 1     | 0           | 81h           |       |
| 51h              | R/W        | Internal (Zone2) High Temp     | 7           | 6     | 5     | 4     | 3     | 2     | 1     | 0           | 7Fh           |       |
| 52h              | R/W        | Remote (Zone3) Low Temp        | 7           | 6     | 5     | 4     | 3     | 2     | 1     | 0           | 81h           |       |
| 53h              | R/W        | Remote (Zone3) High Temp       | 7           | 6     | 5     | 4     | 3     | 2     | 1     | 0           | 7Fh           |       |
| 54h              | R/W        | Tach1 Minimum LSB              | 7           | 6     | 5     | 4     | 3     | 2     | 1     | 0           | FFh           |       |
| 55h              | R/W        | Tach1 Minimum MSB              | 15          | 14    | 13    | 12    | 11    | 10    | 9     | 8           | FFh           |       |
| 56h              | R/W        | Tach2 Minimum LSB              | 7           | 6     | 5     | 4     | 3     | 2     | 1     | 0           | FFh           |       |
| 57h              | R/W        | Tach2 Minimum MSB              | 15          | 14    | 13    | 12    | 11    | 10    | 9     | 8           | FFh           |       |
| 58h              | R/W        | Tach3 Minimum LSB              | 7           | 6     | 5     | 4     | 3     | 2     | 1     | 0           | FFh           |       |
| 59h              | R/W        | Tach3 Minimum MSB              | 15          | 14    | 13    | 12    | 11    | 10    | 9     | 8           | FFh           |       |
| 5Ah              | R/W        | Tach4 Minimum LSB              | 7           | 6     | 5     | 4     | 3     | 2     | 1     | 0           | FFh           |       |
| 5Bh              | R/W        | Tach4 Minimum MSB              | 15          | 14    | 13    | 12    | 11    | 10    | 9     | 8           | FFh           |       |
| 5Ch              | R/W        | Fan1 Configuration             | ZON2        | ZON1  | ZON0  | INV   | RES   | SPIN2 | SPIN1 | SPIN0       | 62h           | ✓     |
| 5Dh              | R/W        | Fan2 Configuration             | ZON2        | ZON1  | ZON0  | INV   | RES   | SPIN2 | SPIN1 | SPIN0       | 62h           | ✓     |
| 5Eh              | R/W        | Fan3 Configuration             | ZON2        | ZON1  | ZON0  | INV   | RES   | SPIN2 | SPIN1 | SPIN0       | 62h           | ✓     |
| 5Fh              | R/W        | Fan1 Range/Frequency           | RAN3        | RAN2  | RAN1  | RAN0  | HLFRQ | FRQ2  | FRQ1  | FRQ0        | C4h           | ✓     |
| 60h              | R/W        | Fan2 Range/Frequency           | RAN3        | RAN2  | RAN1  | RAN0  | HLFRQ | FRQ2  | FRQ1  | FRQ0        | C4h           | ✓     |
| 61h              | R/W        | Fan3 Range/Frequency           | RAN3        | RAN2  | RAN1  | RAN0  | HLFRQ | FRQ2  | FRQ1  | FRQ0        | C4h           | ✓     |
| 62h              | R/W        | Min/Off, Zone1 Spike Smoothing | OFF3        | OFF2  | OFF1  | RES   | ZN1E  | ZN1-2 | ZN1-1 | ZN1-0       | 00H           | ✓     |
| 63h              | R/W        | Zone2, Zone3 Spike Smoothing   | ZN2E        | ZN2-2 | ZN2-1 | ZN2-0 | ZN3E  | ZN3-2 | ZN3-1 | ZN3-0       | 00h           | ✓     |
| 64h              | R/W        | Fan1 PWM Minimum               | 7           | 6     | 5     | 4     | 3     | 2     | 1     | 0           | 80h           | ✓     |
| 65h              | R/W        | Fan2 PWM Minimum               | 7           | 6     | 5     | 4     | 3     | 2     | 1     | 0           | 80h           | ✓     |
| 66h              | R/W        | Fan3 PWM Minimum               | 7           | 6     | 5     | 4     | 3     | 2     | 1     | 0           | 80h           | ✓     |
| 67h              | R/W        | Zone1 Fan Temp Limit           | 7           | 6     | 5     | 4     | 3     | 2     | 1     | 0           | 5Ah           | ✓     |
| 68h              | R/W        | Zone2 Fan Temp Limit           | 7           | 6     | 5     | 4     | 3     | 2     | 1     | 0           | 5Ah           | ✓     |
| 69h              | R/W        | Zone3 Fan Temp Limit           | 7           | 6     | 5     | 4     | 3     | 2     | 1     | 0           | 5Ah           | ✓     |
| 6Ah              | R/W        | Zone1 Temp Absolute Limit      | 7           | 6     | 5     | 4     | 3     | 2     | 1     | 0           | 64h           | ✓     |
| 6Bh              | R/W        | Zone2 Temp Absolute Limit      | 7           | 6     | 5     | 4     | 3     | 2     | 1     | 0           | 64h           | ✓     |
| 6Ch              | R/W        | Zone3 Temp Absolute Limit      | 7           | 6     | 5     | 4     | 3     | 2     | 1     | 0           | 64h           | ✓     |
| 6Dh              | R/W        | Zone1, Zone2 Hysteresis        | H1-3        | H1-2  | H1-1  | H1-0  | H2-3  | H2-2  | H2-1  | H2-0        | 44h           | ✓     |
| 6Eh              | R/W        | Zone3 Hysteresis               | H3-3        | H3-2  | H3-1  | H3-0  | RES   | RES   | RES   | RES         | 40h           | ✓     |

## Functional Description (Continued)

| Register Address | Read/Write | Register Name        | Bit 7 (MSB) | Bit 6 | Bit 5  | Bit 4  | Bit 3 | Bit 2   | Bit 1   | Bit 0 (LSB) | Default Value | Lock? |
|------------------|------------|----------------------|-------------|-------|--------|--------|-------|---------|---------|-------------|---------------|-------|
| 6Fh              | R/W        | XOR Test Tree Enable | RES         | RES   | RES    | RES    | RES   | RES     | RES     | XEN         | 00h           | ✓     |
| 74h              | R/W        | Tach Monitor Mode    | RES         | RES   | T3/4-1 | T3/4-0 | T2-1  | T2-0    | T1-1    | T1-0        | 00h           |       |
| 75h              | R/W        | Fan Spin-up Mode     | RES         | RES   | RES    | RES    | RES   | PWM3 SU | PWM2 SU | PWM1 SU     | 7h            | ✓     |

Note: Reserved bits will always return 0 when read.

### 4.1 Register 20-24h: Voltage Reading

| Register Address | Read/Write | Register Name | Bit 7 (MSB) | Bit 6 | Bit 5 | Bit 4 | Bit 3 | Bit 2 | Bit 1 | Bit 0 (LSB) | Default Value |
|------------------|------------|---------------|-------------|-------|-------|-------|-------|-------|-------|-------------|---------------|
| 20h              | R          | 2.5V          | 7           | 6     | 5     | 4     | 3     | 2     | 1     | 0           | N/A           |
| 21h              | R          | VCCP          | 7           | 6     | 5     | 4     | 3     | 2     | 1     | 0           | N/A           |
| 22h              | R          | 3.3V          | 7           | 6     | 5     | 4     | 3     | 2     | 1     | 0           | N/A           |
| 23h              | R          | 5V            | 7           | 6     | 5     | 4     | 3     | 2     | 1     | 0           | N/A           |
| 24h              | R          | 12V           | 7           | 6     | 5     | 4     | 3     | 2     | 1     | 0           | N/A           |

The Register Names define the typical input voltage at which the reading is  $\frac{3}{4}$  full scale or C0h.

The Voltage Reading registers are updated automatically by the LM96000 at a minimum frequency of 4 Hz. These registers are read only — a write to these registers has no effect.

### 4.2 Register 25-27h: Temperature Reading

| Register Address | Read/Write | Register Name          | Bit 7 (MSB) | Bit 6 | Bit 5 | Bit 4 | Bit 3 | Bit 2 | Bit 1 | Bit 0 (LSB) | Default Value |
|------------------|------------|------------------------|-------------|-------|-------|-------|-------|-------|-------|-------------|---------------|
| 25h              | R          | Processor (Zone1) Temp | 7           | 6     | 5     | 4     | 3     | 2     | 1     | 0           | N/A           |
| 26h              | R          | Internal (Zone2) Temp  | 7           | 6     | 5     | 4     | 3     | 2     | 1     | 0           | N/A           |
| 27h              | R          | Remote (Zone3) Temp    | 7           | 6     | 5     | 4     | 3     | 2     | 1     | 0           | N/A           |

The Temperature Reading registers reflect the current temperatures of the internal and remote diodes. Processor (Zone1) Temp register reports the temperature measured by the thermal diode connected to the Remote1– and Remote1+ pins, Remote (Zone3) Temp register reports the temperature measured by the thermal diode connected to the the Remote2– and Remote2+ pins, and the Internal (Zone2) Temp register reports the temperature measured by the internal (junction) temperature sensor. Temperatures are represented as 8 bit, 2's complement, signed numbers, in Celsius, as shown below in *Table 1*. The Temperature Reading register will return a value of 80h if the remote diode pins are not used by the board designer or are not functioning properly. This reading will cause the zone limit bit(s) (bits 6 and 4) in the Interrupt Status Register (41h) and the remote diode fault status bit(s) (bit 6 or 7) in the Interrupt Status Register 2 (42h) to be set. The Temperature Reading registers are updated automatically by the LM96000 at a minimum frequency of 4 Hz. These registers are read only — a write to these registers has no effect.

TABLE 1. Temperature vs Register Reading

| Temperature | Reading (Dec) | Reading (Hex) |
|-------------|---------------|---------------|
| -127°C      | -127          | 81h           |
| .           | .             | .             |
| .           | .             | .             |
| .           | .             | .             |
| -50°C       | -50           | CEh           |

## Functional Description (Continued)

**TABLE 1. Temperature vs Register Reading (Continued)**

| Temperature    | Reading (Dec) | Reading (Hex) |
|----------------|---------------|---------------|
| .              | .             | .             |
| .              | .             | .             |
| .              | .             | .             |
| 0°C            | 0             | 00h           |
| .              | .             | .             |
| .              | .             | .             |
| .              | .             | .             |
| 127°C          | 127           | 7Fh           |
| (SENSOR ERROR) |               | 80h           |

### 4.3 Register 28-2Fh: Fan Tachometer Reading

| Register Address | Read/Write | Register Name | Bit 7 (MSB) | Bit 6 | Bit 5 | Bit 4 | Bit 3 | Bit 2 | Bit 1  | Bit 0 (LSB) | Default Value |
|------------------|------------|---------------|-------------|-------|-------|-------|-------|-------|--------|-------------|---------------|
| 28h              | R          | Tach1 LSB     | 7           | 6     | 5     | 4     | 3     | 2     | LEVEL1 | LEVEL0      | N/A           |
| 29h              | R          | Tach1 MSB     | 15          | 14    | 13    | 12    | 11    | 10    | 9      | 8           | N/A           |
| 2Ah              | R          | Tach2 LSB     | 7           | 6     | 5     | 4     | 3     | 2     | LEVEL1 | LEVEL0      | N/A           |
| 2Bh              | R          | Tach2 MSB     | 15          | 14    | 13    | 12    | 11    | 10    | 9      | 8           | N/A           |
| 2Ch              | R          | Tach3 LSB     | 7           | 6     | 5     | 4     | 3     | 2     | LEVEL1 | LEVEL0      | N/A           |
| 2Dh              | R          | Tach3 MSB     | 15          | 14    | 13    | 12    | 11    | 10    | 9      | 8           | N/A           |
| 2Eh              | R          | Tach4 LSB     | 7           | 6     | 5     | 4     | 3     | 2     | LEVEL1 | LEVEL0      | N/A           |
| 2Fh              | R          | Tach4 MSB     | 15          | 14    | 13    | 12    | 11    | 10    | 9      | 8           | N/A           |

The Fan Tachometer Reading registers contain the number of 11.111  $\mu$ s periods (90 kHz) between full fan revolutions. The results are based on the time interval of two tachometer pulses, since most fans produce two tachometer pulses per full revolution. These registers will be updated at least once every second.

The value, for each fan, is represented by a 16-bit unsigned number.

The Fan Tachometer Reading registers will always return an accurate fan tachometer measurement, even when a fan is disabled or non-functional.

The least two significant bits (LEVEL1 and LEVEL2) of the least significant byte are used to indicate the accuracy level of the tachometer reading. The accuracy ranges from most to least accurate. [LEVEL1:LEVEL2]=11 indicates a most accurate value, [LEVEL1:LEVEL2]=01 indicates the least accurate value and [LEVEL1:LEVEL2]=00 is reserved for future use.

FF FFh indicates that the fan is not spinning, or that the tachometer input is not connected to a valid signal. These registers are read only — a write to these registers has no effect.

When the LSB byte of the LM96000 16-bit register is read, the other byte (MSByte) is latched at the current value until it is read. At the end of the MSByte read the Fan Tachometer Reading registers are updated.

During spin-up, the PWM duty cycle reported is 0%.

### 4.4 Register 30-32h: Current PWM Duty

| Register Address | Read/Write | Register Name         | Bit 7 (MSB) | Bit 6 | Bit 5 | Bit 4 | Bit 3 | Bit 2 | Bit 1 | Bit 0 (LSB) | Default Value |
|------------------|------------|-----------------------|-------------|-------|-------|-------|-------|-------|-------|-------------|---------------|
| 30h              | R/W        | Fan1 Current PWM Duty | 7           | 6     | 5     | 4     | 3     | 2     | 1     | 0           | N/A           |
| 31h              | R/W        | Fan2 Current PWM Duty | 7           | 6     | 5     | 4     | 3     | 2     | 1     | 0           | N/A           |
| 32h              | R/W        | Fan3 Current PWM Duty | 7           | 6     | 5     | 4     | 3     | 2     | 1     | 0           | N/A           |

The Current PWM Duty registers store the current duty cycle at each PWM output. At initial power-on, the PWM duty cycle is 100% and thus, when read, this register will return FFh. After the Ready/Lock/Start/Override register Start bit is set, this register and the PWM signals will be updated based on the algorithm described in the Auto Fan Control Operating Mode section.

When read, the Current PWM Duty registers return the current PWM duty cycle. These registers are read only unless the fan is in manual (test) mode, in which case a write to these registers will directly control the PWM duty cycle for each fan. The PWM duty cycle is represented as shown in the following table.

| Current Duty | Value (Decimal) | Value (Hex) |
|--------------|-----------------|-------------|
| 0%           | 0               | 00h         |

## Functional Description (Continued)

| Current Duty | Value (Decimal) | Value (Hex) |
|--------------|-----------------|-------------|
| 0.3922%      | 1               | 01h         |
| .            | .               | .           |
| .            | .               | .           |
| .            | .               | .           |
| 25.098%      | 64              | 40h         |
| .            | .               | .           |
| .            | .               | .           |
| .            | .               | .           |
| 50.196%      | 128             | 80h         |
| .            | .               | .           |
| .            | .               | .           |
| .            | .               | .           |
| 100%         | 255             | FFh         |

### 4.5 Register 3Eh: Company ID

| Register Address | Read/Write | Register Name | Bit 7 (MSB) | Bit 6 | Bit 5 | Bit 4 | Bit 3 | Bit 2 | Bit 1 | Bit 0 (LSB) | Default Value |
|------------------|------------|---------------|-------------|-------|-------|-------|-------|-------|-------|-------------|---------------|
| 3Eh              | R          | Company ID    | 7           | 6     | 5     | 4     | 3     | 2     | 1     | 0           | 01h           |

The company ID register contains the company identification number. For National Semiconductor this is 01h. This number is assigned by Intel and is a method for uniquely identifying the part manufacturer. This register is read only — a write to this register has no effect.

### 4.6 Register 3Fh: Version/Stepping

| Register Address | Read/Write | Register Name    | Bit 7 (MSB) | Bit 6 | Bit 5 | Bit 4 | Bit 3 | Bit 2 | Bit 1 | Bit 0 (LSB) | Default Value |
|------------------|------------|------------------|-------------|-------|-------|-------|-------|-------|-------|-------------|---------------|
| 3Fh              | R          | Version/Stepping | VER3        | VER2  | VER1  | VER0  | STP3  | STP2  | STP1  | STP0        | 68h           |

The four least significant bits of the Version/Stepping register [3.0] contain the current stepping of the LM96000 silicon. The four most significant bits [7.4] reflect the LM96000 base device number when set to a value of 0110b. For the LM96000, this register will read 01101000b (68h). Bit 3 of the stepping field is set to indicate that the LM96000 is a super-set of the LM85 family of products.

The register is used by application software to identify which device in the hardware monitor family of ASICs has been implemented in the given system. Based on this information, software can determine which registers to read from and write to. Further, application software may use the current stepping to implement work-arounds for bugs found in a specific silicon stepping.

This register is read only — a write to this register has no effect.

### 4.7 Register 40h: Ready/Lock/Start/Override

| Register Address | Read/Write | Register Name             | Bit 7 (MSB) | Bit 6 | Bit 5 | Bit 4 | Bit 3 | Bit 2 | Bit 1 | Bit 0 (LSB) | Default Value |
|------------------|------------|---------------------------|-------------|-------|-------|-------|-------|-------|-------|-------------|---------------|
| 40h              | R/W        | Ready/Lock/Start/Override | RES         | RES   | RES   | RES   | OVRID | READY | LOCK  | START       | 00h           |

## Functional Description (Continued)

| Bit | Name     | R/W | Default | Description  |
|-----|----------|-----|---------|--|
| 0   | START    | R/W | 0       | When software writes a 1 to this bit, the LM96000 fan monitoring and PWM output control functions will use the values set in the fan control limit and parameter registers (address 5Ch through 6Eh). Before this bit is set, the LM96000 will not update the used register values, the default values will remain in effect. Whenever this bit is set to 0, the LM96000 fan monitoring and PWM output control functions use the default fan limits and parameters, regardless of the current values in the limit and parameter registers (5C through 6Eh). The LM96000 will preserve the values currently stored in the limit and parameter registers when this bit is set or cleared. This bit is not effected by the state of the Lock bit.<br>It is expected that all limit and parameter registers will be set by BIOS or application software prior to setting this bit. |
| 1   | LOCK     | R/W | 0       | Setting this bit to 1 locks specified limit and parameter registers. Once this bit is set, limit and parameter registers become read only and will remain locked until the device is powered off. This register bit becomes read only once it is set.  |
| 2   | READY    | R   | 0       | The LM96000 sets this bit automatically after the part is fully powered up, has completed the power-up-reset process, and after all A/D converters are properly functioning.   |
| 3   | OVRID    | R/W |         | If this bit is set to 1, all PWM outputs will go to 100% duty cycle regardless of whether or not the lock bit is set. The OVRID bit has precedence over the disabled mode. Therefore, when OVRID is set the PWM will go to 100% even if the PWM is in the disabled mode.   |
| 4–7 | Reserved | R   | 0       | Reserved   |

### 4.8 Register 41h: Interrupt Status Register 1

| Register Address | Read/Write | Register Name      | Bit 7 (MSB) | Bit 6 | Bit 5 | Bit 4 | Bit 3 | Bit 2 | Bit 1 | Bit 0 (LSB) | Default Value |
|------------------|------------|--------------------|-------------|-------|-------|-------|-------|-------|-------|-------------|---------------|
| 41h              | R          | Interrupt Status 1 | ERR         | ZN3   | ZN2   | ZN1   | 5V    | 3.3V  | VCCP  | 2.5V        | 00h           |

The Interrupt Status Register 1 bits will be automatically set, by the LM96000, whenever a fault condition is detected. A fault condition is detected whenever a measured value is outside the window set by its limit registers. ZN3 and ZN1 bits will be set when a diode fault condition, such as a disconnect or short, is detected. More than one fault may be indicated in the interrupt register when read. This register will hold a set bit(s) until the event is read by software. The contents of this register will be cleared (set to 0) automatically by the LM96000 after it is read by software, if the fault condition is no longer exists. Once set, the Interrupt Status Register 1 bits will remain set until a read event occurs, even if the fault condition no longer exists.

This register is read only — a write to this register has no effect.

| Bit | Name       | R/W | Default | Description   |
|-----|------------|-----|---------|---|
| 0   | 2.5V_Error | R   | 0       | The LM96000 automatically sets this bit to 1 when the 2.5V input voltage is less than or equal to the limit set in the 2.5V Low Limit register or greater than the limit set in the 2.5V High Limit register. |
| 1   | VCCP_Error | R   | 0       | The LM96000 automatically sets this bit to 1 when the VCCP input voltage is less than or equal to the limit set in the VCCP Low Limit register or greater than the limit set in the VCCP High Limit register. |
| 2   | 3.3V_Error | R   | 0       | The LM96000 automatically sets this bit to 1 when the 3.3V input voltage is less than or equal to the limit set in the 3.3V Low Limit register or greater than the limit set in the 3.3V High Limit register. |
| 3   | 5V_Error   | R   | 0       | The LM96000 automatically sets this bit to 1 when the 5V input voltage is less than or equal to the limit set in the 5V Low Limit register or greater than the limit set in the 5V High Limit register.       |

## Functional Description (Continued)

| Bit | Name                       | R/W | Default | Description   |
|-----|----------------------------|-----|---------|---|
| 4   | Zone 1 Limit Exceeded      | R   | 0       | The LM96000 automatically sets this bit to 1 when the temperature input measured by the Remote1– and Remote1+ inputs is less than or equal to the limit set in the Processor (Zone1) Low Temp register or more than the limit set in the Processor (Zone1) High Temp register. This bit will be set when a diode fault is detected. |
| 5   | Zone 2 Limit Exceeded      | R   | 0       | The LM96000 automatically sets this bit to 1 when the temperature input measured by the internal temperature sensor is less than or equal to the limit set in the Internal (Zone2) Low Temp register or greater than the limit set in the Internal (Zone2) High Temp register.  |
| 6   | Zone 3 Limit Exceeded      | R   | 0       | The LM96000 automatically sets this bit to 1 when the temperature input measured by the Remote2– and Remote2+ inputs is less than or equal to the limit set in the Internal (Zone2) Low Temp register or greater than the limit set in the Remote (Zone3) High Temp register. This bit will be set when a diode fault is detected.  |
| 7   | Error in Status Register 2 | R   | 0       | If there is a set bit in Status Register 2, this bit will be set to 1.  |

### 4.9 Register 42h: Interrupt Status Register 2

| Register Address | Read/Write | Register Name               | Bit 7 (MSB) | Bit 6 | Bit 5 | Bit 4 | Bit 3 | Bit 2 | Bit 1 | Bit 0 (LSB) | Default Value |
|------------------|------------|-----------------------------|-------------|-------|-------|-------|-------|-------|-------|-------------|---------------|
| 42h              | R          | Interrupt Status Register 2 | ERR2        | ERR1  | FAN4  | FAN3  | FAN2  | FAN1  | RES   | 12V         | 00h           |

The Interrupt Status Register 2 bits will be automatically set, by the LM96000, whenever a fault condition is detected. Interrupt Status Register 2 identifies faults caused by temperature sensor error, fan speed dropping below minimum set by the tachometer minimum register, the 12V input voltage going outside the window set by its limit registers. Interrupt Status Register 2 will hold a set bit until the event is read by software. The contents of this register will be cleared (set to 0) automatically by the LM96000 after it is ready by software, if fault condition no longer exists. Once set, the Interrupt Status Register 2 bits will remain set until a read event occurs, even if the fault no longer exists.

This register is read only — a write to this register has no effect.

| Bit | Name                 | R/W | Default | Description  |
|-----|----------------------|-----|---------|--|
| 0   | +12V_Error           | R   | 0       | The LM96000 automatically sets this bit to 1 when the 12V input voltage either falls below the limit set in the 12V Low Limit register or exceeds the limit set in the 12V High Limit register.  |
| 1   | Reserved             | R   | 0       | Reserved   |
| 2   | Fan1 Stalled         | R   | 0       | The LM96000 automatically sets this bit to 1 when the TACH1 input reading is above the value set in the Tach1 Minimum MSB and LSB registers.   |
| 3   | Fan2 Stalled         | R   | 0       | The LM96000 automatically sets this bit to 1 when the TACH2 input reading is above the value set in the Tach2 Minimum MSB and LSB registers.   |
| 4   | Fan3 Stalled         | R   | 0       | The LM96000 automatically sets this bit to 1 when the TACH3 input reading is above the value set in the Tach3 Minimum MSB and LSB registers.   |
| 5   | Fan4 Stalled         | R   | 0       | The LM96000 automatically sets this bit to 1 when the TACH4 input reading is above the value set in the Tach4 Minimum MSB and LSB registers.   |
| 6   | Remote Diode 1 Fault | R   | 0       | The LM96000 automatically sets this bit to 1 when there is either a short or open circuit fault on the Remote1+ or Remote1– thermal diode input pins. A diode fault will also set bit 4, Diode 1 Zone Limit bit, of Interrupt Status Register 1. |

## Functional Description (Continued)

| Bit | Name                 | R/W | Default | Description  |
|-----|----------------------|-----|---------|--|
| 7   | Remote Diode 2 Fault | R   | 0       | The LM96000 automatically sets this bit to 1 when there is either a short or open circuit fault on the Remote2+ or Remote2- thermal diode input pins. A diode fault will also set bit 6, Diode 2 Zone Limit bit, of Interrupt Status Register 1. |

### 4.10 Register 43h: VID

| Register Address | Read/Write | Register Name | Bit 7 (MSB) | Bit 6 | Bit 5 | Bit 4 | Bit 3 | Bit 2 | Bit 1 | Bit 0 (LSB) | Default Value |
|------------------|------------|---------------|-------------|-------|-------|-------|-------|-------|-------|-------------|---------------|
| 43h              | R          | VID0-4        | RES         | RES   | RES   | VID4  | VID3  | VID2  | VID1  | VID0        |               |

The VID register contains the values of LM96000 VID0-VID4 input pins. This register indicates the status of the VID lines that interconnect the processor to the Voltage Regulator Module (VRM). Software uses the information in this register to determine the voltage that the processor is designed to operate at. With this information, software can then dynamically determine the correct values to place in the VCCP Low Limit and VCCP High Limit registers.

This register is read only — a write to this register has no effect.

### 4.11 Registers 44-4Dh: Voltage Limit Registers

| Register Address | Read/Write | Register Name   | Bit 7 (MSB) | Bit 6 | Bit 5 | Bit 4 | Bit 3 | Bit 2 | Bit 1 | Bit 0 (LSB) | Default Value |
|------------------|------------|-----------------|-------------|-------|-------|-------|-------|-------|-------|-------------|---------------|
| 44h              | R/W        | 2.5V Low Limit  | 7           | 6     | 5     | 4     | 3     | 2     | 1     | 0           | 00h           |
| 45h              | R/W        | 2.5V High Limit | 7           | 6     | 5     | 4     | 3     | 2     | 1     | 0           | FFh           |
| 46h              | R/W        | VCCP Low Limit  | 7           | 6     | 5     | 4     | 3     | 2     | 1     | 0           | 00h           |
| 47h              | R/W        | VCCP High Limit | 7           | 6     | 5     | 4     | 3     | 2     | 1     | 0           | FFh           |
| 48h              | R/W        | 3.3V Low Limit  | 7           | 6     | 5     | 4     | 3     | 2     | 1     | 0           | 00h           |
| 49h              | R/W        | 3.3V High Limit | 7           | 6     | 5     | 4     | 3     | 2     | 1     | 0           | FFh           |
| 4Ah              | R/W        | 5V Low Limit    | 7           | 6     | 5     | 4     | 3     | 2     | 1     | 0           | 00h           |
| 4Bh              | R/W        | 5V High Limit   | 7           | 6     | 5     | 4     | 3     | 2     | 1     | 0           | FFh           |
| 4Ch              | R/W        | 12V Low Limit   | 7           | 6     | 5     | 4     | 3     | 2     | 1     | 0           | 00h           |
| 4Dh              | R/W        | 12V High Limit  | 7           | 6     | 5     | 4     | 3     | 2     | 1     | 0           | FFh           |

If a voltage input either exceeds the value set in the voltage high limit register or falls below the value set in the voltage low limit register, the corresponding bit will be set automatically by the LM96000 in the interrupt status registers (41-42h). Voltages are presented in the registers at  $\frac{3}{4}$  full scale for the nominal voltage, meaning that at nominal voltage, each input will be C0h, as shown in *Table 2*.

Setting the Ready/Lock/Start/Override register Lock bit has no effect on these registers.

**TABLE 2. Voltage Limits vs Register Setting**

| Input | Nominal Voltage | Register Setting at Nominal Voltage | Maximum Voltage | Register Reading at Maximum Voltage | Minimum Voltage | Register Reading at Minimum Voltage |
|-------|-----------------|-------------------------------------|-----------------|-------------------------------------|-----------------|-------------------------------------|
| 2.5V  | 2.5V            | C0h                                 | 3.32V           | FFh                                 | 0V              | 00h                                 |
| VCCP  | 2.25V           | C0h                                 | 3.00V           | FFh                                 | 0V              | 00h                                 |
| 3.3V  | 3.3V            | C0h                                 | 4.38V           | FFh                                 | 3.0V            | AFh                                 |
| 5V    | 5.0V            | C0h                                 | 6.64V           | FFh                                 | 0V              | 00h                                 |
| 12V   | 12.0V           | C0h                                 | 16.00V          | FFh                                 | 0V              | 00h                                 |

### 4.12 Registers 4E-53h: Temperature Limit Registers

| Register Address | Read/Write | Register Name               | Bit 7 (MSB) | Bit 6 | Bit 5 | Bit 4 | Bit 3 | Bit 2 | Bit 1 | Bit 0 (LSB) | Default Value |
|------------------|------------|-----------------------------|-------------|-------|-------|-------|-------|-------|-------|-------------|---------------|
| 4Eh              | R/W        | Processor (Zone1) Low Temp  | 7           | 6     | 5     | 4     | 3     | 2     | 1     | 0           | 81h           |
| 4Fh              | R/W        | Processor (Zone1) High Temp | 7           | 6     | 5     | 4     | 3     | 2     | 1     | 0           | 7Fh           |



## Functional Description (Continued)

| Register Address | Read/Write | Register Name               | Bit 7 (MSB) | Bit 6 | Bit 5 | Bit 4 | Bit 3 | Bit 2 | Bit 1 | Bit 0 (LSB) | Default Value |
|------------------|------------|-----------------------------|-------------|-------|-------|-------|-------|-------|-------|-------------|---------------|
| 50h              | R/W        | Processor (Zone2) Low Temp  | 7           | 6     | 5     | 4     | 3     | 2     | 1     | 0           | 81h           |
| 51h              | R/W        | Processor (Zone2) High Temp | 7           | 6     | 5     | 4     | 3     | 2     | 1     | 0           | 7Fh           |
| 52h              | R/W        | Processor (Zone3) Low Temp  | 7           | 6     | 5     | 4     | 3     | 2     | 1     | 0           | 81h           |
| 53h              | R/W        | Processor (Zone3) High Temp | 7           | 6     | 5     | 4     | 3     | 2     | 1     | 0           | 7Fh           |

If an external temperature input or the internal temperature sensor either exceeds the value set in the corresponding high limit register or falls below the value set in the corresponding low limit register, the corresponding bit will be set automatically by the LM96000 in the Interrupt Status Register 1 (41h). For example, if the temperature read from the Remote1- and Remote1+ inputs exceeds the Processor (Zone1) High Temp register limit setting, Interrupt Status Register 1 ZN1 bit will be set. The temperature limits in these registers are represented as 8 bit, 2's complement, signed numbers in Celsius, as shown below in *Table 3*.

Setting the Ready/Lock/Start/Override register Lock bit has no effect on these registers.

**TABLE 3. Temperature Limits vs Register Settings**

| Temperature | Reading (Decimal) | Reading (Hex) |
|-------------|-------------------|---------------|
| -127°C      | -127              | 81h           |
| .           | .                 | .             |
| .           | .                 | .             |
| .           | .                 | .             |
| -50°C       | -50               | CEh           |
| .           | .                 | .             |
| .           | .                 | .             |
| .           | .                 | .             |
| 0°C         | 0                 | 00h           |
| .           | .                 | .             |
| .           | .                 | .             |
| .           | .                 | .             |
| 50°C        | 50                | 32h           |
| .           | .                 | .             |
| .           | .                 | .             |
| .           | .                 | .             |
| 127°C       | 127               | 7Fh           |

### 4.13 Registers 54-5Bh: Fan Tachometer Low Limit

| Register Address | Read/Write | Register Name     | Bit 7 (MSB) | Bit 6 | Bit 5 | Bit 4 | Bit 3 | Bit 2 | Bit 1 | Bit 0 (LSB) | Default Value |
|------------------|------------|-------------------|-------------|-------|-------|-------|-------|-------|-------|-------------|---------------|
| 54h              | R/W        | Tach1 Minimum LSB | 7           | 6     | 5     | 4     | 3     | 2     | 1     | 0           | FFh           |
| 55h              | R/W        | Tach1 Minimum MSB | 15          | 14    | 13    | 12    | 11    | 10    | 9     | 8           | FFh           |
| 56h              | R/W        | Tach2 Minimum LSB | 7           | 6     | 5     | 4     | 3     | 2     | 1     | 0           | FFh           |
| 57h              | R/W        | Tach2 Minimum MSB | 15          | 14    | 13    | 12    | 11    | 10    | 9     | 8           | FFh           |
| 58h              | R/W        | Tach3 Minimum LSB | 7           | 6     | 5     | 4     | 3     | 2     | 1     | 0           | FFh           |
| 59h              | R/W        | Tach3 Minimum MSB | 15          | 14    | 13    | 12    | 11    | 10    | 9     | 8           | FFh           |
| 5Ah              | R/W        | Tach4 Minimum LSB | 7           | 6     | 5     | 4     | 3     | 2     | 1     | 0           | FFh           |
| 5Bh              | R/W        | Tach4 Minimum MSB | 15          | 14    | 13    | 12    | 11    | 10    | 9     | 8           | FFh           |

The Fan Tachometer Low Limit registers indicate the tachometer reading under which the corresponding bit will be set in the Interrupt Status Register 2 register. In Auto Fan Control mode, the fan can run at low speeds, so care should be taken in software

## Functional Description (Continued)

to ensure that the limit is high enough not to cause sporadic alerts. The fan tachometer will not cause a bit to be set in Interrupt Status Register 2 if the current value in Current PWM Duty registers is 00h or if the fan 1 disabled via the Fan Configuration Register. Interrupts will never be generated for a fan if its minimum is set to FF FFh.

Given the insignificance of Bit 0 and Bit 1, these bits could be programmed to remember which fan is which, as follows.

| Fan           | Bit 1 | Bit 0 |
|---------------|-------|-------|
| CPU           | 0     | 0     |
| Memory        | 0     | 1     |
| Chassis Front | 1     | 0     |
| Chassis Rear  | 1     | 1     |

Setting the Ready/Lock/Start/Override register Lock bit has no effect these registers.

### 4.14 Registers 5C-5Eh: Fan Configuration

| Register Address | Read/Write | Register Name      | Bit 7 (MSB) | Bit 6 | Bit 5 | Bit 4 | Bit 3 | Bit 2 | Bit 1 | Bit 0 (LSB) | Default Value | Lock? |
|------------------|------------|--------------------|-------------|-------|-------|-------|-------|-------|-------|-------------|---------------|-------|
| 5Ch              | R/W        | Fan1 Configuration | ZON2        | ZON1  | ZON0  | INV   | RES   | SPIN2 | SPIN1 | SPIN0       | 62h           | ✓     |
| 5Dh              | R/W        | Fan2 Configuration | ZON2        | ZON1  | ZON0  | INV   | RES   | SPIN2 | SPIN1 | SPIN0       | 62h           | ✓     |
| 5Eh              | R/W        | Fan3 Configuration | ZON2        | ZON1  | ZON0  | INV   | RES   | SPIN2 | SPIN1 | SPIN0       | 62h           | ✓     |

This register becomes Read Only when the Ready/Lock/Start/Override register Lock bit is set. Any further attempts to write to this register shall have no effect. After power up the default value is used whenever the Ready/Lock/Start/Override register Start bit is cleared even though modifications to this register are possible.

#### Bits [7:5] Zone/Mode

Bits [7:5] of the Fan Configuration registers associate each fan with a temperature sensor. When in Auto Fan Mode the fan will be assigned to a zone, and its PWM duty cycle will be adjusted according to the temperature of that zone. If 'Hottest' option is selected (101 or 110), the fan will be controlled by the hottest of zones 2 and 3, or of zones 1, 2, and 3. To determine the 'Hottest' zone the PWM level for each zone is calculated then the the highest PWM value is selected. When in manual control mode, the Current PWM duty registers (30h-32h) become Read/Write. It is then possible to control the PWM outputs with software by writing to these registers. When the fan is disabled (100) the corresponding PWM output should be driven low (or high, if inverted).

Zone 1: External Diode 1 (processor)

Zone 2: Internal Sensor

Zone 3: External Diode 2

TABLE 4. Fan Zone Setting

| ZON[2:0] | Fan Configuration                          |
|----------|--|
| 000      | Fan on zone 1 auto                         |
| 001      | Fan on zone 2 auto                         |
| 010      | Fan on zone 3 auto                         |
| 011      | Fan always on full                         |
| 100      | Fan disabled                               |
| 101      | Fan controlled by hottest of zones 2, 3    |
| 110      | Fan controlled by hottest of zones 1, 2, 3 |
| 111      | Fan manually controlled (Test Mode)        |

#### Bit [4] PWM Invert

Bit [4] inverts the PWM output. If set to 0, 100% duty cycle will yield an output that is always high. If set to 1, 100% duty cycle will yield an output that is always low.

#### Bit [3] Reserved

#### Bits [2:0] Spin Up

Bits [2:0] specify the 'spin up' time for the fan. When a fan is being started from a stationary state, the PWM output is held at 100% duty cycle for the time specified in the table below before scaling to a lower speed.

## Functional Description (Continued)

**TABLE 5. Fan Spin-Up Register**

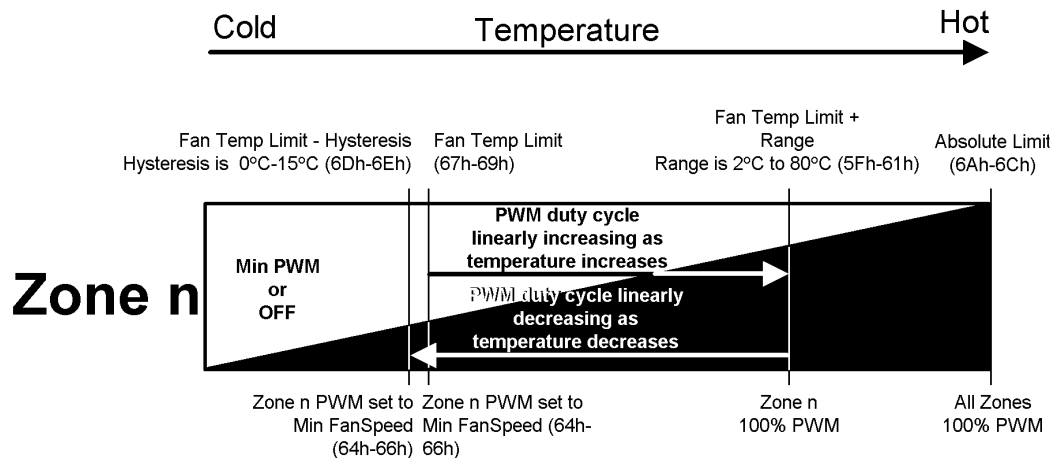
| SPIN[2:0] | Spin Up Time |
|-----------|--------------|
| 000       | 0 sec        |
| 001       | 100 ms       |
| 010       | 250 ms       |
| 011       | 400 ms       |
| 100       | 700 ms       |
| 101       | 1000 ms      |
| 110       | 2000 ms      |
| 111       | 4000 ms      |

### 4.15 Registers 5F-61h: Auto Fan Speed Range, PWM Frequency

| Register Address | Read/Write | Register Name              | Bit 7 (MSB) | Bit 6 | Bit 5 | Bit 4 | Bit 3 | Bit 2 | Bit 1 | Bit 0 (LSB) | Default Value | Lock? |
|------------------|------------|----------------------------|-------------|-------|-------|-------|-------|-------|-------|-------------|---------------|-------|
| 5Fh              | R/W        | Zone1 Range/Fan1 Frequency | RAN3        | RAN2  | RAN1  | RAN0  | HLFRQ | FRQ2  | FRQ1  | FRQ0        | C4h           | ✓     |
| 60h              | R/W        | Zone2 Range/Fan2 Frequency | RAN3        | RAN2  | RAN1  | RAN0  | HLFRQ | FRQ2  | FRQ1  | FRQ0        | C4h           | ✓     |
| 61h              | R/W        | Zone3 Range/Fan3 Frequency | RAN3        | RAN2  | RAN1  | RAN0  | HLFRQ | FRQ2  | FRQ1  | FRQ0        | C4h           | ✓     |

In Auto Fan Mode, when the temperature for a zone is above the Temperature Limit (Registers 67-69h) and below its Absolute Temperature Limit (Registers 6A-6Ch), the speed of a fan assigned to that zone is determined as follows.

When the temperature reaches the Fan Temp Limit for a zone, the PWM output assigned to that zone will be Fan PWM Minimum. Between Fan Temp Limit and (Fan Temp Limit + Range), the PWM duty cycle will increase linearly according to the temperature as shown in the figure below. The PWM duty cycle will be 100% at (Fan Temp Limit + Range).



20084606

**FIGURE 1. Fan Activity above Fan Temp Limit**

#### Example for PWM1 assigned to Zone 1:

- Zone 1 Fan Temp Limit (Register 67h) is set to 50°C (32h).
- Range (Register 5Fh) is set to 8°C (6xh).
- Fan 1 PWM Minimum (Register 64h) is set to 50% (32h).

In this case, the PWM1 duty cycle will be 50% at 50°C.

Since (Zone 1 Fan Temp Limit) + (Zone 1 Range) = 50°C + 8°C = 58°C, the fan will run at 100% duty cycle when the temperature of the Zone 1 sensor reaches 58°C.

Since the midpoint of the fan control range is 54°C, and the median duty cycle is 75% (Halfway between the PWM Minimum and 100%), PWM1 duty cycle would be 75% at 54°C.

## Functional Description (Continued)

Above (Zone 1 Fan Temp Limit) + (Zone 1 Range), the duty cycle will be 100%.

### PWM frequency bits [3:0]

The PWM frequency bits [3:0] determine the PWM frequency for the fan. The LM96000 has high and low frequency ranges for the PWM outputs, that are controlled by the HLFREQ bit.

PWM Frequency Selection (Default = 0011 = 30.04 Hz).

**TABLE 6. Register Setting vs PWM Frequency**

| HLFRQ | Freq [2:0] | PWM Frequency |
|-------|------------|---------------|
| 0     | 000        | 10.01 Hz      |
| 0     | 001        | 15.02 Hz      |
| 0     | 010        | 23.14 Hz      |
| 0     | 011        | 30.04 Hz      |
| 0     | 100        | 38.16 Hz      |
| 0     | 101        | 47.06 Hz      |
| 0     | 110        | 61.38 Hz      |
| 0     | 111        | 94.12 Hz      |
| 1     | 000        | 22.5 kHz      |
| 1     | 001        | 24 kHz        |
| 1     | 010        | 25.7 kHz      |
| 1     | 011        | 25.7 kHz      |
| 1     | 100        | 27.7 kHz      |
| 1     | 101        | 27.7 kHz      |
| 1     | 110        | 30 kHz        |
| 1     | 111        | 30 kHz        |

### Range Selection RAN [3:0]

| RAN [3:0] | Range (°C) |
|-----------|------------|
| 0000      | 2          |
| 0001      | 2.5        |
| 0010      | 3.33       |
| 0011      | 4          |
| 0100      | 5          |
| 0101      | 6.67       |
| 0110      | 8          |
| 0111      | 10         |
| 1000      | 13.33      |
| 1001      | 16         |
| 1010      | 20         |
| 1011      | 26.67      |
| 1100      | 32         |
| 1101      | 40         |
| 1110      | 53.33      |
| 1111      | 80         |

This register becomes Read Only when the Ready/Lock/Start/Override register Lock bit is set. Any further attempts to write to this register shall have no effect. After power up the default value is used whenever the Ready/Lock/Start/Override register Start bit is cleared even though modifications to this register are possible.

### 4.16 Registers 62, 63h: Min/Off, Spike Smoothing

| Register Address | Read/Write | Register Name                  | Bit 7 (MSB) | Bit 6 | Bit 5 | Bit 4 | Bit 3 | Bit 2 | Bit 1 | Bit 0 (LSB) | Default Value | Lock? |
|------------------|------------|--------------------------------|-------------|-------|-------|-------|-------|-------|-------|-------------|---------------|-------|
| 62h              | R/W        | Min/Off, Zone1 Spike Smoothing | OFF3        | OFF2  | OFF1  | RES   | ZN1E  | ZN1-2 | ZN1-1 | ZN1-0       | 00h           | ✓     |

## Functional Description (Continued)

| Register Address | Read/Write | Register Name                | Bit 7 (MSB) | Bit 6 | Bit 5 | Bit 4 | Bit 3 | Bit 2 | Bit 1 | Bit 0 (LSB) | Default Value | Lock? |
|------------------|------------|------------------------------|-------------|-------|-------|-------|-------|-------|-------|-------------|---------------|-------|
| 63h              | R/W        | Zone2, Zone3 Spike Smoothing | ZN2E        | ZN2-2 | ZN2-1 | ZN2-0 | ZN3E  | ZN3-2 | ZN3-1 | ZN3-0       | 00h           | ✓     |

The Off/Min Bits [7:5] specify whether the duty cycle will be 0% or Minimum Fan Duty when the measured temperature falls below the Temperature LIMIT register setting (see table below). OFF1 applies to fan 1, OFF2 applies to fan 2, and OFF3 applies to fan 3.

If the Remote1 or Remote2 pins are connected to a processor or chipset, instantaneous temperature spikes may be sampled by the LM96000. If these spikes are not ignored, the CPU fan (if connected to LM96000) may turn on prematurely and produce unpleasant noise. For this reason, any zone that is connected to a chipset or processor should have spike smoothing enabled.

When spike smoothing is enabled, the temperature reading registers will still reflect the current value of the temperature — not the 'smoothed out' value.

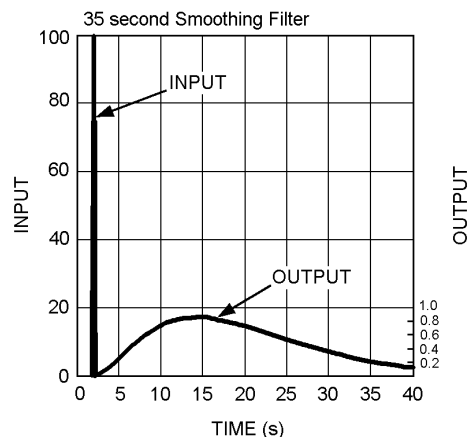
ZN1E, ZN2E, and ZN3E enable temperature smoothing for zones 1, 2, and 3 respectively.

ZN1-2, ZN1-1, and ZN1-0 control smoothing time for Zone 1.

ZN2-2, ZN2-1, and ZN2-0 control smoothing time for Zone 2.

ZN3-2, ZN3-1, and ZN3-0 control smoothing time for Zone 3.

These registers become ready only when the Ready/Lock/Start/Override register Lock bit is set. Any further attempts to write to these registers shall have no effect.



20084607

FIGURE 2. What LM96000 Auto Fan Control Sees With and Without Spike Smoothing

TABLE 7. Spike Smoothing

| ZN-X[2:0] | Spike Smoothed Over |
|-----------|---------------------|
| 000       | 35 seconds          |
| 001       | 17.6 seconds        |
| 010       | 11.8 seconds        |
| 011       | 7.0 seconds         |
| 100       | 4.4 seconds         |
| 101       | 3.0 seconds         |
| 110       | 1.6 seconds         |
| 111       | .8 seconds          |

TABLE 8. PWM Output Below Limit Depending on Value of Off/Min

| Off/Min | PWM Action                  |
|---------|-----------------------------|
| 0       | At 0% duty below LIMIT      |
| 1       | At Min PWM Duty below LIMIT |

## Functional Description (Continued)

### 4.17 Registers 64-66h: Minimum PWM Duty Cycle

| Register Address | Read/Write | Register Name    | Bit 7 (MSB) | Bit 6 | Bit 5 | Bit 4 | Bit 3 | Bit 2 | Bit 1 | Bit 0 (LSB) | Default Value | Lock? |
|------------------|------------|------------------|-------------|-------|-------|-------|-------|-------|-------|-------------|---------------|-------|
| 64h              | R/W        | Fan1 PWM Minimum | 7           | 6     | 5     | 4     | 3     | 2     | 1     | 0           | 80h           | ✓     |
| 65h              | R/W        | Fan2 PWM Minimum | 7           | 6     | 5     | 4     | 3     | 2     | 1     | 0           | 80h           | ✓     |
| 66h              | R/W        | Fan3 PWM Minimum | 7           | 6     | 5     | 4     | 3     | 2     | 1     | 0           | 80h           | ✓     |

These registers specify the minimum duty cycle that the PWM will output when the measured temperature reaches the Temperature LIMIT register setting.

This register becomes Read Only when the Ready/Lock/Start/Override register Lock bit is set. Any further attempts to write to this register shall have no effect. After power up the default value is used whenever the Ready/Lock/Start/Override register Start bit is cleared even though modifications to this register are possible.

**TABLE 9. PWM Duty vs Register Setting for PWM Low Frequency Range**

| Current Duty | Value (Decimal) | Value (Hex) |
|--------------|-----------------|-------------|
| 0%           | 0               | 00h         |
| 0.3922%      | 1               | 01h         |
| .            | .               | .           |
| .            | .               | .           |
| .            | .               | .           |
| 25.098%      | 64              | 40h         |
| .            | .               | .           |
| .            | .               | .           |
| .            | .               | .           |
| 50.196%      | 128             | 80h         |
| .            | .               | .           |
| .            | .               | .           |
| .            | .               | .           |
| 100%         | 255             | FF          |

### PWM Duty Cycle vs Register Setting for PWM High Frequency Range

| 22.5KHz PWM Frequency    |                  |              |
|--------------------------|------------------|--------------|
| PWM Duty Cycle Level (%) | Value in Decimal | Value in Hex |
| 0.00                     | 0                | 0            |
| 6.25                     | 1 - 15           | 01 - 0F      |
| 12.50                    | 16 - 31          | 10 - 1F      |
| 18.75                    | 32 - 47          | 20 - 2F      |
| 25.00                    | 48 - 63          | 30 - 3F      |
| 31.25                    | 64 - 79          | 40 - 4F      |
| 37.50                    | 80 - 95          | 50 - 5F      |
| 43.75                    | 96 - 111         | 60 - 6F      |
| 50.00                    | 112 - 127        | 70 - 7F      |
| 56.25                    | 128 - 143        | 80 - 8F      |
| 62.50                    | 144 - 159        | 90 - 9F      |
| 68.75                    | 160 - 175        | A0 - AF      |
| 75.00                    | 176 - 191        | B0 - BF      |
| 81.25                    | 192 - 207        | C0 - CF      |
| 87.50                    | 208 - 223        | D0 - DF      |
| 93.75                    | 224 - 239        | E0 - EF      |
| 100.00                   | 240 - 255        | F0 - FF      |

| 24KHz PWM Frequency      |                  |              |
|--------------------------|------------------|--------------|
| PWM Duty Cycle Level (%) | Value in Decimal | Value in Hex |
| 0                        | 0                | 0            |
| 6.67                     | 1 - 16           | 01 - 10      |
| 13.33                    | 17 - 33          | 11 - 21      |
| 20.00                    | 34 - 50          | 22 - 32      |
| 26.67                    | 51 - 67          | 33 - 43      |
| 33.33                    | 68 - 84          | 44 - 54      |
| 40.00                    | 85 - 101         | 55 - 65      |
| 46.67                    | 102 - 118        | 66 - 76      |
| 53.33                    | 119 - 136        | 77 - 88      |
| 60.00                    | 137 - 153        | 89 - 99      |
| 66.67                    | 154 - 170        | 9A - AA      |
| 73.33                    | 171 - 187        | AB - BB      |
| 80.00                    | 188 - 204        | BC - CC      |
| 86.67                    | 205 - 221        | CD - DD      |
| 93.33                    | 222 - 238        | DE - EE      |
| 100.00                   | 239 - 255        | EF - FF      |

## Functional Description (Continued)

| 25.7KHz PWM Frequency    |                  |              |
|--------------------------|------------------|--------------|
| PWM Duty Cycle Level (%) | Value in Decimal | Value in Hex |
| 0                        | 0                | 0            |
| 7.14                     | 1 - 17           | 01 - 11      |
| 14.29                    | 18 - 36          | 12 - 24      |
| 21.43                    | 37 - 54          | 25 - 36      |
| 28.57                    | 55 - 72          | 37 - 48      |
| 35.71                    | 73 - 90          | 49 - 5A      |
| 42.86                    | 91 - 109         | 5B - 6D      |
| 50.00                    | 110 - 127        | 6E - 7F      |
| 57.14                    | 128 - 145        | 80 - 91      |
| 64.29                    | 146 - 164        | 92 - A4      |
| 71.43                    | 165 - 182        | A5 - B6      |
| 78.57                    | 183 - 200        | B7 - C8      |
| 85.71                    | 201 - 218        | C9 - DA      |
| 92.86                    | 219 - 237        | DB - ED      |
| 100.00                   | 238 - 255        | EE - FF      |

| 27.7KHz PWM Frequency    |                  |              |
|--------------------------|------------------|--------------|
| PWM Duty Cycle Level (%) | Value in Decimal | Value in Hex |
| 0                        | 0                | 0            |
| 7.69                     | 1 - 19           | 01 - 13      |
| 15.38                    | 20 - 38          | 14 - 26      |
| 23.08                    | 39 - 58          | 27 - 3A      |
| 30.77                    | 59 - 78          | 3B - 4E      |
| 38.46                    | 79 - 97          | 4F - 61      |

| 27.7KHz PWM Frequency    |                  |              |
|--------------------------|------------------|--------------|
| PWM Duty Cycle Level (%) | Value in Decimal | Value in Hex |
| 46.15                    | 98 - 117         | 62 - 75      |
| 53.85                    | 118 - 137        | 76 - 89      |
| 61.54                    | 138 - 157        | 8A - 9D      |
| 69.23                    | 158 - 176        | 9E - B0      |
| 76.92                    | 177 - 196        | B1 - C4      |
| 84.62                    | 197 - 216        | C5 - D8      |
| 92.31                    | 217 - 235        | D9 - EB      |
| 100.00                   | 236 - 255        | EC - FF      |

| 30KHz PWM Frequency      |                  |              |
|--------------------------|------------------|--------------|
| PWM Duty Cycle Level (%) | Value in Decimal | Value in Hex |
| 0                        | 0                | 0            |
| 8.33                     | 1 - 20           | 01 - 14      |
| 16.67                    | 21 - 42          | 15 - 2A      |
| 25.00                    | 43 - 63          | 2B - 3F      |
| 33.33                    | 64 - 84          | 40 - 54      |
| 41.67                    | 85 - 106         | 55 - 6A      |
| 50.00                    | 107 - 127        | 6B - 7F      |
| 58.33                    | 128 - 148        | 80 - 94      |
| 66.67                    | 149 - 170        | 95 - AA      |
| 75.00                    | 171 - 191        | AB - BF      |
| 83.33                    | 192 - 212        | C0 - D4      |
| 91.67                    | 213 - 234        | D5 - EA      |
| 100.00                   | 235 - 255        | EB - FF      |

### 4.18 Registers 67-69h: Temperature Limit

| Register Address | Read/Write | Register Name        | Bit 7 (MSB) | Bit 6 | Bit 5 | Bit 4 | Bit 3 | Bit 2 | Bit 1 | Bit 0 (LSB) | Default Value | Lock? |
|------------------|------------|----------------------|-------------|-------|-------|-------|-------|-------|-------|-------------|---------------|-------|
| 67h              | R/W        | Zone1 Fan Temp Limit | 7           | 6     | 5     | 4     | 3     | 2     | 1     | 0           | 5Ah           | ✓     |
| 68h              | R/W        | Zone2 Fan Temp Limit | 7           | 6     | 5     | 4     | 3     | 2     | 1     | 0           | 5Ah           | ✓     |
| 69h              | R/W        | Zone3 Fan Temp Limit | 7           | 6     | 5     | 4     | 3     | 2     | 1     | 0           | 5Ah           | ✓     |

These are the temperature limits for the individual zones. When the current temperature equals this limit, the fan will be turned on if it is not already. When the temperature exceeds this limit, the fan speed will be increased according to the algorithm set forth in the Auto Fan Range, PWM Frequency register description. Default = 90°C = 5Ah

This register becomes Read Only when the Ready/Lock/Start/Override register Lock bit is set. Any further attempts to write to this register shall have no effect. After power up the default value is used whenever the Ready/Lock/Start/Override register Start bit is cleared even though modifications to this register are possible.

TABLE 10. Temperature Limit vs Register Setting

| Temperature | Reading (Decimal) | Reading (Hex) |
|-------------|-------------------|---------------|
| -127°C      | -127              | 81h           |
| .           | .                 | .             |
| .           | .                 | .             |
| .           | .                 | .             |
| -50°C       | -50               | CEh           |
| .           | .                 | .             |
| .           | .                 | .             |
| .           | .                 | .             |

## Functional Description (Continued)

**TABLE 10. Temperature Limit vs Register Setting (Continued)**

| Temperature | Reading (Decimal) | Reading (Hex) |
|-------------|-------------------|---------------|
| 0°C         | 0                 | 00h           |
| .           | .                 | .             |
| .           | .                 | .             |
| .           | .                 | .             |
| 50°C        | 50                | 32h           |
| .           | .                 | .             |
| .           | .                 | .             |
| .           | .                 | .             |
| 127°C       | 127               | 7Fh           |

### 4.19 Registers 6A-6Ch: Absolute Temperature Limit

| Register Address | Read/Write | Register Name             | Bit 7 (MSB) | Bit 6 | Bit 5 | Bit 4 | Bit 3 | Bit 2 | Bit 1 | Bit 0 (LSB) | Default Value | Lock? |
|------------------|------------|---------------------------|-------------|-------|-------|-------|-------|-------|-------|-------------|---------------|-------|
| 6Ah              | R/W        | Zone1 Absolute Temp Limit | 7           | 6     | 5     | 4     | 3     | 2     | 1     | 0           | 64h           | ✓     |
| 6Bh              | R/W        | Zone2 Absolute Temp Limit | 7           | 6     | 5     | 4     | 3     | 2     | 1     | 0           | 64h           | ✓     |
| 6Ch              | R/W        | Zone3 Absolute Temp Limit | 7           | 6     | 5     | 4     | 3     | 2     | 1     | 0           | 64h           | ✓     |

In the Auto Fan mode, if a zone exceeds the temperature set in the Absolute Temperature Limit register, all of the PWM outputs will increase its duty cycle to 100%. This is a safety feature that attempts to cool the system if there is a potentially catastrophic thermal event. If set to 80h (-128°C), the feature is disabled. Default=100°C=64h

These registers become Read Only when the Ready/Lock/Start/Override register Lock bit is set. Any further attempts to write to these registers shall have no effect. After power up the default values are used whenever the Ready/Lock/Start/Override register Start bit is cleared even though modifications to these registers are possible.

**TABLE 11. Absolute Limit vs Register Setting**

| Temperature | Reading (Decimal) | Reading (Hex) |
|-------------|-------------------|---------------|
| -127°C      | -127              | 81h           |
| .           | .                 | .             |
| .           | .                 | .             |
| .           | .                 | .             |
| -50°C       | -50               | CEh           |
| .           | .                 | .             |
| .           | .                 | .             |
| .           | .                 | .             |
| 0°C         | 0                 | 00h           |
| .           | .                 | .             |
| .           | .                 | .             |
| .           | .                 | .             |
| 50°C        | 50                | 32h           |
| .           | .                 | .             |
| .           | .                 | .             |
| .           | .                 | .             |
| 127°C       | 127               | 7Fh           |

### 4.20 Registers 6D-6Eh: Zone Hysteresis Registers

| Register Address | Read/Write | Register Name              | Bit 7 (MSB) | Bit 6 | Bit 5 | Bit 4 | Bit 3 | Bit 2 | Bit 1 | Bit 0 (LSB) | Default Value | Lock? |
|------------------|------------|----------------------------|-------------|-------|-------|-------|-------|-------|-------|-------------|---------------|-------|
| 6Dh              | R/W        | Zone1 and Zone2 Hysteresis | H1-3        | H1-2  | H1-1  | H1-0  | H2-3  | H2-2  | H2-1  | H2-0        | 44h           | ✓     |
| 6Eh              | R/W        | Zone3 Hysteresis           | H3-3        | H3-2  | H3-1  | H3-0  | RES   | RES   | RES   | RES         | 40h           | ✓     |

If the temperature is above Fan Temp Limit, then drops below Fan Temp Limit, the following will occur:



## Functional Description (Continued)

- The fan will remain on, at Fan PWM Minimum, until the temperature goes a certain amount below Fan Temp Limit.
- The Hysteresis registers control this amount. See below table for details.

These registers become Read Only when the Ready/Lock/Start/Override register Lock bit is set. Any further attempts to write to these registers shall have no effect. After power up the default value is used whenever the Ready/Lock/Start/Override register Start bit is cleared even though modifications to this register are possible.

**TABLE 12. Hysteresis Settings**

| Setting | HYSTERESIS |
|---------|------------|
| 0h      | 0°C        |
| .       | .          |
| .       | .          |
| .       | .          |
| 5h      | 5°C        |
| .       | .          |
| .       | .          |
| .       | .          |
| Fh      | 15°C       |

### 4.21 Register 6Fh: Test Register

| Register Address | Read/Write | Register Name | Bit 7 (MSB) | Bit 6 | Bit 5 | Bit 4 | Bit 3 | Bit 2 | Bit 1 | Bit 0 (LSB) | Default Value |
|------------------|------------|---------------|-------------|-------|-------|-------|-------|-------|-------|-------------|---------------|
| 6Fh              | R/W        | Test Register | RES         | RES   | RES   | RES   | RES   | RES   | RES   | XEN         | 00h           |

If the XEN bit is set high, the part will be placed into XOR tree test mode. Clearing the bit (writing a 0 to the XEN bit) brings the part out of XOR tree test mode.

This register becomes Read Only when the Ready/Lock/Start/Override register Lock bit is set. Any further attempts to write to this register shall have no effect. After power up the default value is used whenever the Ready/Lock/Start/Override register Start bit is cleared even though modifications to this register are possible.

### 4.22 Registers 70-7Fh: Vendor Specific Registers

These registers are for vendor specific features, including test registers. They will not default to a specific value on power up.

#### 4.22.1 Register 74h: Tachometer Monitor Mode

| Register Address | Read/Write | Register Name     | Bit 7 (MSb) | Bit 6 | Bit 5  | Bit 4  | Bit 3 | Bit 2 | Bit 1 | Bit 0 (LSb) | Default Value | Lock? |
|------------------|------------|-------------------|-------------|-------|--------|--------|-------|-------|-------|-------------|---------------|-------|
| 74h              | R/W        | Tach Monitor Mode | RES         | RES   | T3/4-1 | T3/4-0 | T2-1  | T2-0  | T1-1  | T1-0        | 00h           |       |

Each fan TACH input has 4 possible modes of operation when using the low frequency range for the PWM outputs. Mode 0 is the only mode that is available when using the high frequency range for the PWM outputs. The modes for TACH3 and TACH4 share control bits T3/4-[1:0]; TACH2 is controlled by T2-[1:0]; TACH1 is controlled by T1-[1:0]. The result reported in all modes is based on 2 pulses per revolution. In order for modes 2 and 3 to function properly it is required that the:

PWM1 output must control the fan that has its tachometer output connected to the TACH1 LM96000 input.

PWM2 output must control the fan that has its tachometer output connected to the TACH2 LM96000 input.

PWM3 output must control the fans that have their tachometer outputs connected to the TACH3 or TACH4 LM96000 inputs.

| Setting (Tn[1:0]) | Mode | Function   |
|-------------------|------|--|
| 00                | 0    | Traditional tach input monitor, false readings when under minimum detectable RPM       |
| 01                | 1    | Traditional tach input monitor, FFFFh reading when under minimum detectable RPM        |
| 10                | 2    | Most accurate readings, FFFFh reading when under minimum detectable RPM                |
| 11                | 3    | Least effect on programmed PWM of Fan, FFFFh reading when under minimum detectable RPM |

- **Mode 0:** This mode uses the conventional method for fan tachometer pulse detection and does not include any circuitry to compensate for PWM Fan drive. This mode should be used when PWM drive is not used to power the fan. This mode may report a false RPM reading when under minimum detectable RPM as shown in the following table.
- **Mode 1:** This mode uses the conventional method for fan tach detection. The reading will be FFFFh if it is below minimum detectable RPM.

## Functional Description (Continued)

- **Mode 2:** This mode is optimized for accurate RPM readings and activates circuitry that extends the lower side of the RPM reading as shown in the following table.
- **Mode 3:** This mode minimizes the effect on the RPM setting and activates circuitry that extends the lower side of the RPM reading as shown in the following table.

| PWM Frequency | Mode 0 and 1 Minimum RPM | Mode 2 and 3 Minimum RPM |
|---------------|--------------------------|--------------------------|
| 10.01         | 841                      | 210                      |
| 15.02         | 1262                     | 315                      |
| 23.14         | 1944                     | 420                      |
| 30.04         | 2523                     | 420                      |
| 38.16         | 3205                     | 420                      |
| 47.06         | 3953                     | 420                      |
| 61.38         | 5156                     | 420                      |
| 94.12         | 7906                     | 420                      |

This register is not effected when the Ready/Lock/Start/Override register Lock bit is set. After power up the default value is used whenever the Ready/Lock/Start/Override register Start bit is cleared even though modifications to this register are possible.

### 4.22.2 Register 75h: Fan Spin-up Mode

| Register Address | Read/Write | Register Name    | Bit 7 (MSB) | Bit 6 | Bit 5 | Bit 4 | Bit 3 | Bit 2   | Bit 1   | Bit 0 (LSB) | Default Value | Lock? |
|------------------|------------|------------------|-------------|-------|-------|-------|-------|---------|---------|-------------|---------------|-------|
| 75h              | R/W        | Fan Spin-up Mode | RES         | RES   | RES   | RES   | RES   | PWM3 SU | PWM2 SU | PWM1 SU     | 7h            | ✓     |

The PWM SU bit configures the PWM spin-up mode. If PWM SU is cleared the spin-up time will terminate after time programmed by the Fan Configuration register has elapsed. When set to a 1, the spin-up time will terminate early if the TACH reading exceeds the Tach Minimum value or after the time programmed by the Fan Configuration register has elapsed, whichever occurs first.

This register becomes Read Only when the Ready/Lock/Start/Override register Lock bit is set. Any further attempts to write to this register shall have no effect. After power up the default value is used whenever the Ready/Lock/Start/Override register Start bit is cleared even though modifications to this register are possible.

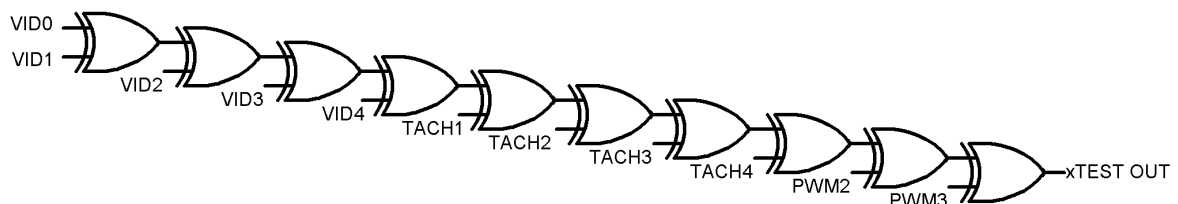
### 4.23 Undefined Registers

Any reads to undefined registers will always return 00h. Writes to undefined registers will have no effect and will not return an error.

## 5.0 XOR TEST MODE

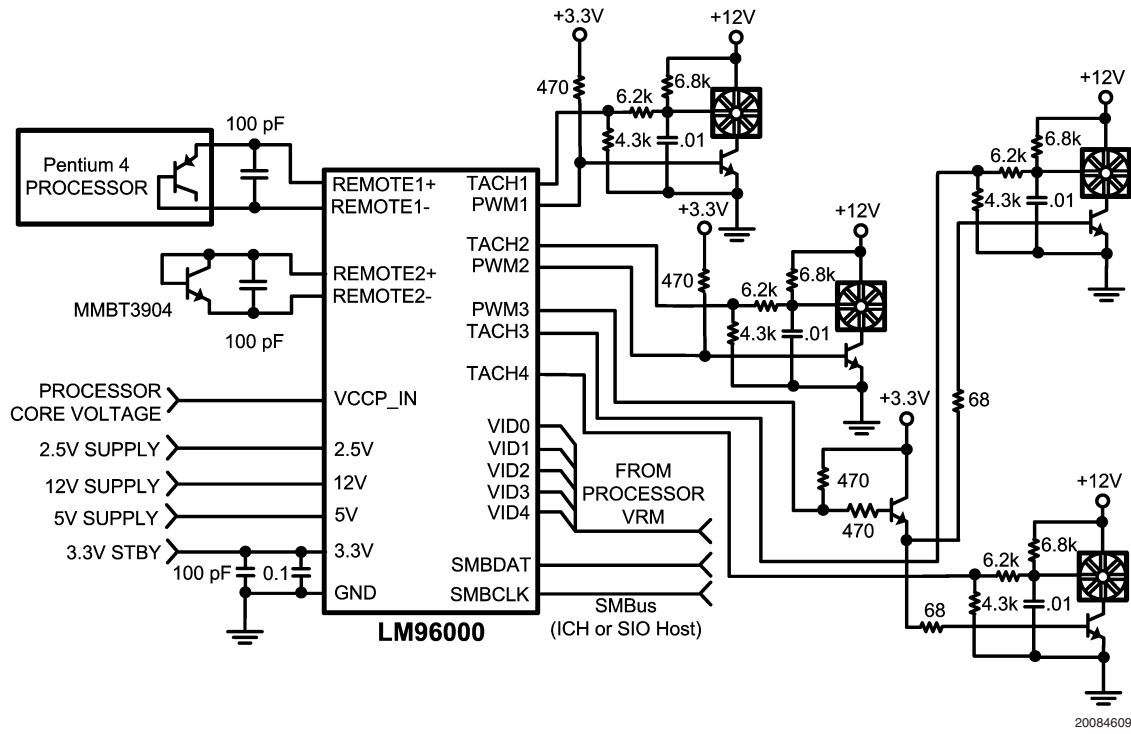
The LM96000 incorporates a XOR tree test mode. When the test mode is enabled by setting the "XEN" bit high in the Test Register at address 6Fh via the SMBus, the part will enter XOR test mode.

Since the test mode an XOR tree, the order of the signals in the tree is not important. SMBDAT and SMBCLK are not to be included in the test tree.



20084608

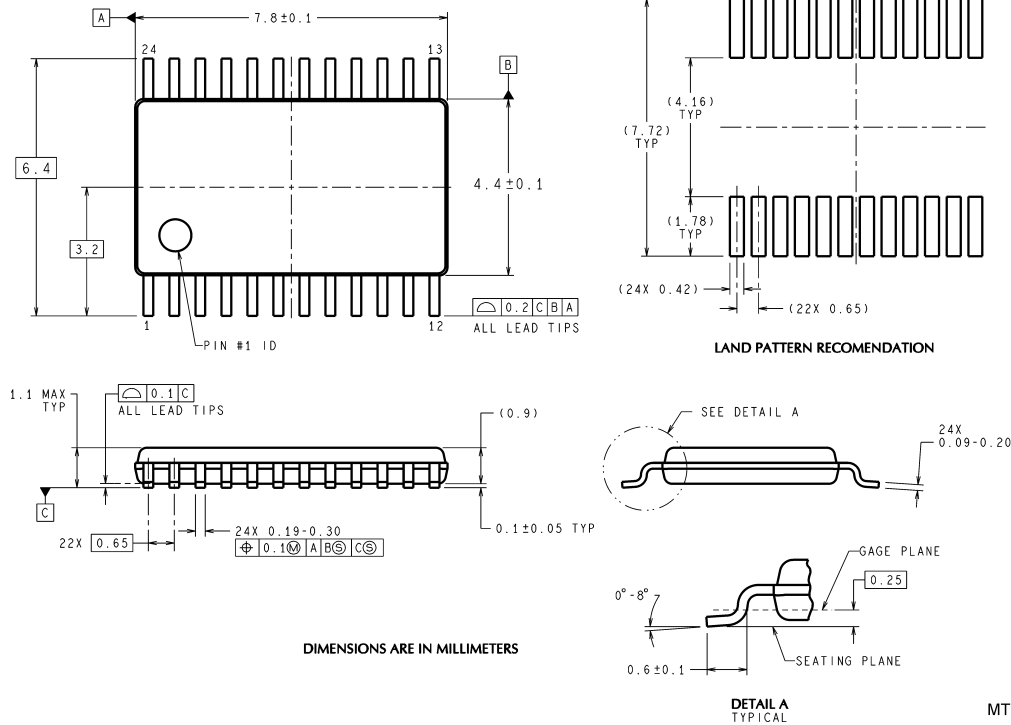
# Applications Information



Typical Applications Schematic

20084609

## Physical Dimensions inches (millimeters) unless otherwise noted



**24-Lead Molded TSSOP Package,  
Order Number LM96000CIMT or LM96000CIMTX  
NS Package Number MTC24E  
JEDEC Registration MO-153, Variation AD**

National does not assume any responsibility for use of any circuitry described, no circuit patent licenses are implied and National reserves the right at any time without notice to change said circuitry and specifications.

For the most current product information visit us at [www.national.com](http://www.national.com).

### LIFE SUPPORT POLICY

NATIONAL'S PRODUCTS ARE NOT AUTHORIZED FOR USE AS CRITICAL COMPONENTS IN LIFE SUPPORT DEVICES OR SYSTEMS WITHOUT THE EXPRESS WRITTEN APPROVAL OF THE PRESIDENT AND GENERAL COUNSEL OF NATIONAL SEMICONDUCTOR CORPORATION. As used herein:

1. Life support devices or systems are devices or systems which, (a) are intended for surgical implant into the body, or (b) support or sustain life, and whose failure to perform when properly used in accordance with instructions for use provided in the labeling, can be reasonably expected to result in a significant injury to the user.
2. A critical component is any component of a life support device or system whose failure to perform can be reasonably expected to cause the failure of the life support device or system, or to affect its safety or effectiveness.

### BANNED SUBSTANCE COMPLIANCE

National Semiconductor certifies that the products and packing materials meet the provisions of the Customer Products Stewardship Specification (CSP-9-111C2) and the Banned Substances and Materials of Interest Specification (CSP-9-111S2) and contain no "Banned Substances" as defined in CSP-9-111S2.



**National Semiconductor**  
Americas Customer  
Support Center  
Email: [new.feedback@nsc.com](mailto:new.feedback@nsc.com)  
Tel: 1-800-272-9959

**National Semiconductor**  
Europe Customer Support Center  
Fax: +49 (0) 180-530 85 86  
Email: [europe.support@nsc.com](mailto:europe.support@nsc.com)  
Deutsch Tel: +49 (0) 69 9508 6208  
English Tel: +44 (0) 870 24 0 2171  
Français Tel: +33 (0) 1 41 91 8790

**National Semiconductor**  
Asia Pacific Customer  
Support Center  
Email: [ap.support@nsc.com](mailto:ap.support@nsc.com)

**National Semiconductor**  
Japan Customer Support Center  
Fax: 81-3-5639-7507  
Email: [jpn.feedback@nsc.com](mailto:jpn.feedback@nsc.com)  
Tel: 81-3-5639-7560

[www.national.com](http://www.national.com)