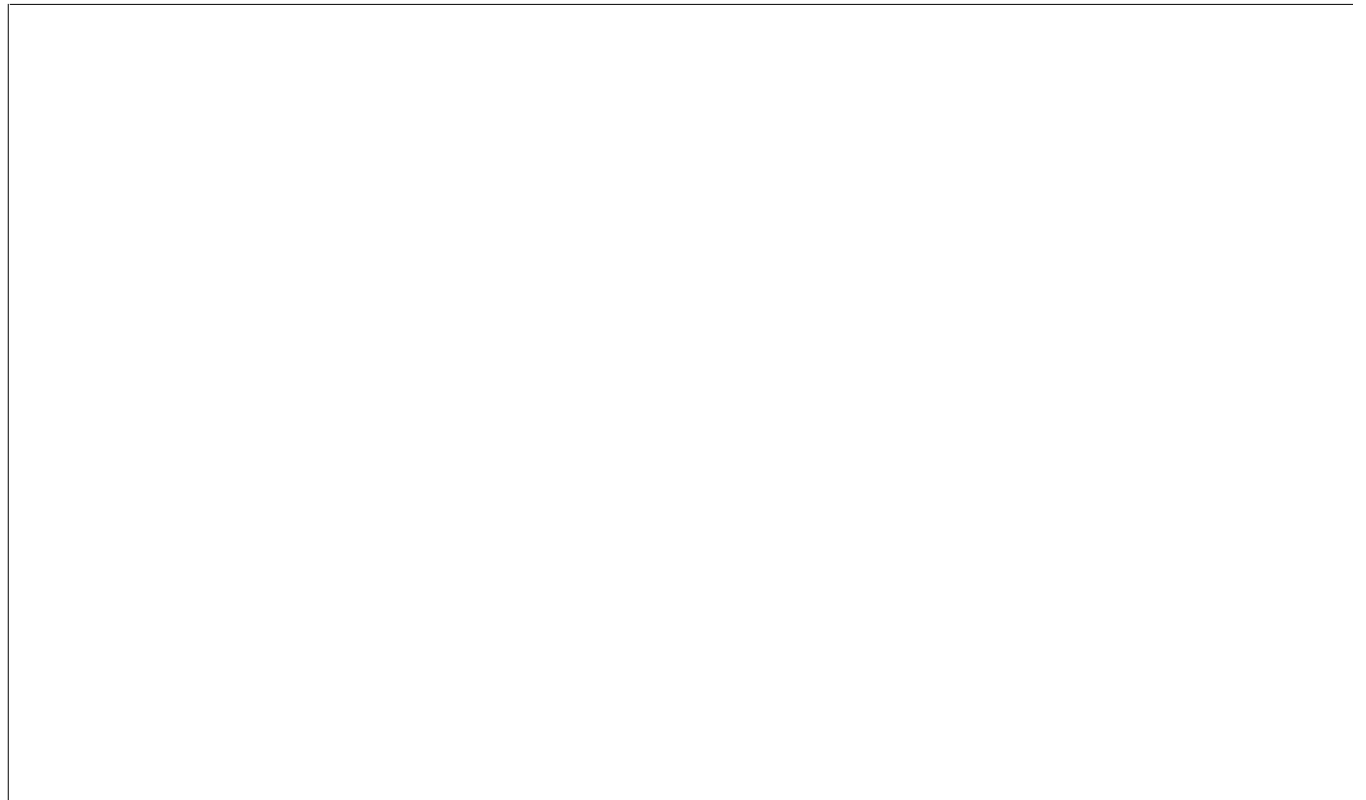


# SIEMENS



## ICs for Consumer Electronics

VPS-Decoder

SDA 5642-6/X

Data Sheet 02.97

<b>SDA 5642-6/X</b>		
<b>Revision History:</b>		<b>Current Version: 02.97</b>
Previous Version:		
Page (in previous Version)	Page (in current Version)	Subjects (major changes since last revision)

**Edition 02.97**

This edition was realized using the software system FrameMaker®.

**Published by Siemens AG,  
Bereich Halbleiter, Marketing-  
Kommunikation, Balanstraße 73,  
81541 München**

© Siemens AG 1997.  
All Rights Reserved.

**Attention please!**

As far as patents or other rights of third parties are concerned, liability is only assumed for components, not for applications, processes and circuits implemented within components or assemblies.

The information describes the type of component and shall not be considered as assured characteristics.

Terms of delivery and rights to change design reserved.

For questions on technology, delivery and prices please contact the Semiconductor Group Offices in Germany or the Siemens Companies and Representatives worldwide (see address list).

Due to technical requirements components may contain dangerous substances. For information on the types in question please contact your nearest Siemens Office, Semiconductor Group.

Siemens AG is an approved CECC manufacturer.

**Packing**

Please use the recycling operators known to you. We can also help you – get in touch with your nearest sales office. By agreement we will take packing material back, if it is sorted. You must bear the costs of transport.

For packing material that is returned to us unsorted or which we are not obliged to accept, we shall have to invoice you for any costs incurred.

**Components used in life-support devices or systems must be expressly authorized for such purpose!**

Critical components<sup>1</sup> of the Semiconductor Group of Siemens AG, may only be used in life-support devices or systems<sup>2</sup> with the express written approval of the Semiconductor Group of Siemens AG.

- 1 A critical component is a component used in a life-support device or system whose failure can reasonably be expected to cause the failure of that life-support device or system, or to affect its safety or effectiveness of that device or system.
- 2 Life support devices or systems are intended (a) to be implanted in the human body, or (b) to support and/or maintain and sustain human life. If they fail, it is reasonable to assume that the health of the user may be endangered.

---

<b>Table of Contents</b>		<b>Page</b>
<b>1</b>	<b>General Description</b> .....	4
1.1	Features .....	4
1.2	Pin Configurations .....	5
1.3	Pin Description .....	6
1.4	Block Diagram .....	7
<b>2</b>	<b>System Description</b> .....	8
2.1	Functions .....	8
2.2	I <sup>2</sup> C Bus .....	9
2.2.1	General Information .....	9
2.2.2	Chip Address .....	9
2.2.3	Write Mode .....	10
2.2.4	Read Mode .....	11
2.3	Order of Data Output on the I <sup>2</sup> C Bus and Bit Allocation .....	12
2.4	Description of DAVN and EHB Outputs .....	14
<b>3</b>	<b>Electrical Characteristics</b> .....	15
<b>4</b>	<b>VPS-Receiver</b> .....	19
<b>5</b>	<b>Appendix</b> .....	20
5.1	Control Register Write (I <sup>2</sup> C-Bus Write) .....	20
5.2	Data Register Read (I <sup>2</sup> C-Bus Read) .....	21
5.3	DAVN and EHB Timing .....	22
5.4	Position of VPS Data Lines within the Vertical Blanking Interval .....	23
5.5	Definition of Voltage Levels for VPS Data Line .....	23
5.6	Data Format of Programme Delivery Data in the Dedicated TV Line (VPS) .....	24
<b>6</b>	<b>Package Outlines</b> .....	26

Purchase of Siemens I<sup>2</sup>C components conveys the license under the Philips I<sup>2</sup>C patent to use the components in the I<sup>2</sup>C system provided the system conforms to the I<sup>2</sup>C specifications defined by Philips.

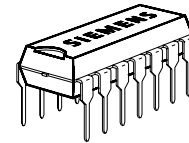
MOS

### 1 General Description

The SDA 5642-6 VPS decoder chip receives all VPS data.

#### 1.1 Features

- On chip data slicer
- Low external component count
- I<sup>2</sup>C-Bus interface  
communication with external microcontroller
- 5 V supply voltage
- Video input signal level: 0.7 V<sub>pp</sub> to 2.0 V<sub>pp</sub>
- Technology: CMOS
- P-DIP-14-1 and P-DSO-20-1 package



P-DIP-14-1



P-DSO-20-1

Type	Ordering Code	Package
SDA 5642-6	Q67100-H5182	P-DIP-14-1
SDA 5642-6X	Q67106-H5183	P-DSO-20-1 (SMD)

1.2 Pin Configurations

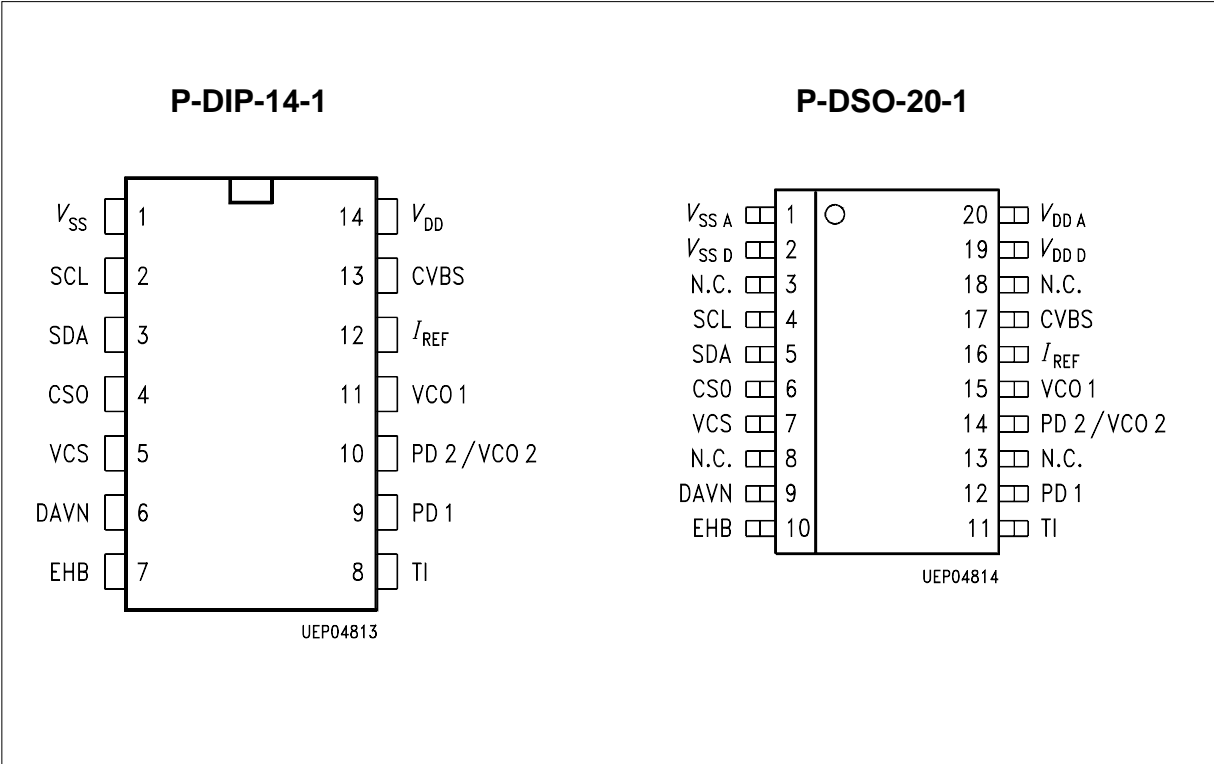


Figure 1

### 1.3 Pin Description

Pin No.		Symbol	Function
P-DIP-14-1	P-DSO-20-1		
1		$V_{SS}$	Ground (0 V)
	1	$V_{SSA}$	Analog ground (0 V)
	2	$V_{SSD}$	Digital ground (0 V)
	3, 8, 13, 18	N.C.	Not connected
2	4	SCL	Serial clock input of I <sup>2</sup> C Bus.
3	5	SDA	Serial data input of I <sup>2</sup> C Bus.
4	6	CS0	Chip select input determining the I <sup>2</sup> C-Bus addresses: 20 <sub>H</sub> / 21 <sub>H</sub> , when pulled low 22 <sub>H</sub> / 23 <sub>H</sub> , when pulled high.
5	7	VCS	Video Composite Sync output from sync slicer used for PLL based clock generation.
6	9	DAVN	Data available output active low, when VPS data is received.
7	10	EHB	Output signaling the presence of the first field active high.
8	11	TI	Test input; activates test mode when pulled high. Connect to ground for operating mode.
9	12	PD1	Phase detector/charge pump output of data PLL (DAPLL).
10	14	PD2/ VCO2	Connector of the loop filter for the SYSPLL.
11	15	VCO1	Input to the voltage controlled oscillator #1 of the DAPLL.
12	16	$I_{REF}$	Reference current input for the on-chip analog circuit.
13	17	CVBS	Composite video signal input.
14		$V_{DD}$	Positive supply voltage (+ 5 V nom.).
	19	$V_{DDD}$	Positive supply voltage for the digital circuits (+ 5 V nom.).
	20	$V_{DDA}$	Positive supply voltage for the analog circuits (+ 5 V nom.).

1.4 Block Diagram

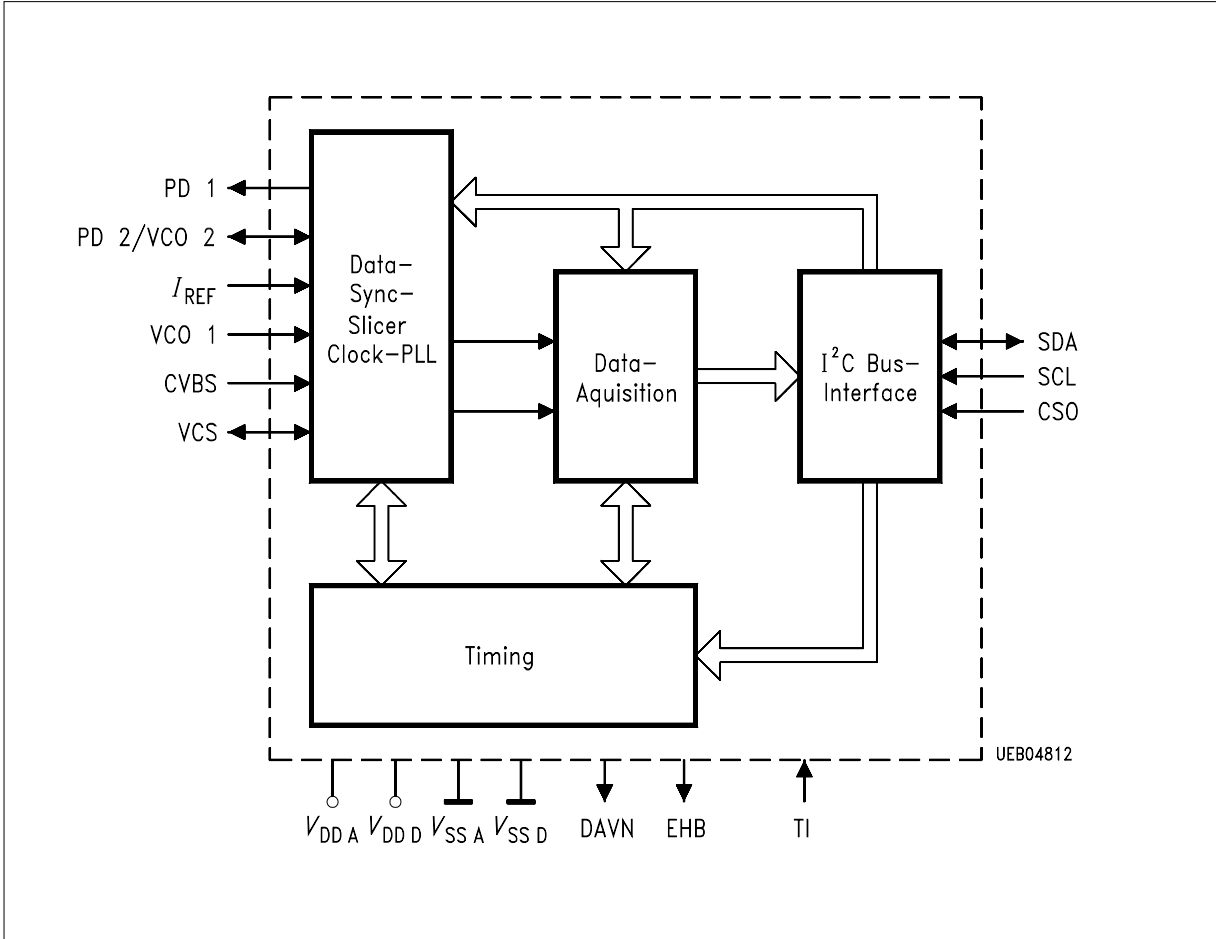


Figure 2

## 2 System Description

### 2.1 Functions

Referring to the functional block diagram of the VPS decoder, the composite video signal with negative going sync pulses is coupled to the pin CVBS through a capacitor which is used for clamping the bottom of the sync pulses to an internally fixed level. The signal is passed on to the slicer, an analogue circuitry separating the sync and the data parts of the CVBS signal, thus yielding the digital composite sync signal VCS and a digital data signal for further processing by comparing those signals to internally generated slicing levels.

The output of the sync separator is forwarded, on one hand, to the output pin VCS, and on the other hand, to the clock generator and the timing block. The VCS signal represents a key signal that is used for deriving a system clock signal by means of a PLL and all other timing signal.

The data slicer separates the data signal from the CVBS signal by comparing the video voltage to an internally generated slicing level which is found by averaging the data signal during TV line no. 16.

The clock generator delivers the system clock needed for the basic timing as well as for the regeneration of the dataclock. It is based on two phase locked loops (PLL's) all parts of which are integrated on chip with the exception of the loop filter components. Each of the PLL's is composed of a voltage controlled relaxation oscillator (VCO), a phase/frequency detector (PFD), and a charge pump which converts the digital output signals of the PFD to an analogue current. That current is transformed to a control voltage for the VCO by the off-chip loop filter. The generated VCO frequency is 10 MHz.

All signals necessary for the control of sync and data slicing as well as for the data acquisition are generated by the Timing block.

The extracted data bits of TV line no. 16 are checked for biphasic errors. With no biphasic errors encountered, the acquired bytes are stored in the transfer register to the I<sup>2</sup>C Bus. That transfer is signalled by a H/L transition of the DAVN output.

Data are updated when a new data line has been received, provided that the chip is not accessed via the I<sup>2</sup>C Bus at the same time.

A micro controller can read the stored bytes via the I<sup>2</sup>C-Bus interface at any time. However, one must be aware that the storage of new data from the acquisition interface is inhibited as long as the VPS decoder is being accessed via the I<sup>2</sup>C Bus.



## 2.2 I<sup>2</sup>C Bus

### 2.2.1 General Information

The I<sup>2</sup>C-Bus interface implemented on the VPS decoder is a slave transmitter/receiver, i.e., both reading from and writing to the VPS decoder is possible. The clock line SCL is controlled only by the bus master usually being a micro controller, whereas the SDA line is controlled either by the master or by the slave. A data transfer can only be initiated by the bus master when the bus is free, i.e., both SDA and SCL lines are in a high state. As a general rule for the I<sup>2</sup>C Bus, the SDA line changes state only when the SCL line is low. The only exception to that rule are the Start Condition and the Stop Condition. Further Details are given below. The following abbreviations are used:

START: Start Condition generated by master  
AS: Acknowledge by slave  
AM: Acknowledge by master  
NAM: No Acknowledge by master  
STOP: Stop condition generated by master

### 2.2.2 Chip Address

There are two pairs of chip addresses, which are selected by the CS0-input pin according to the following table:

CS0 Input	Write Mode	Read Mode
Low	20 (hex)	21 (hex)
High	22 (hex)	23 (hex)

**2.2.3 Write Mode**

For writing to the VPS decoder, the following format has to be used:

Start	Chipaddress and Write Mode	AS	Byte to set Control Register	AS	Stop
-------	----------------------------	----	------------------------------	----	------

Description of Data Transfer (Write Mode)

- Step1: In order to start a data transfer the master generates a Start Condition on the bus by pulling the SDA line low while the SCL line is held high.
- Step 2: The bus master puts the chip address on the SDA line during the next eight SCL pulses.
- Step 3: The master releases the SDA line during the ninth clock pulse. Thus the slave can generate an acknowledge (AS) by pulling the SDA line to a low level.
- Step 4: The controller transmits the data byte to set the Control register
- Step 5: The slave acknowledges the reception of the byte.
- Step 6: The master concludes the data communication by generating a Stop Condition.

The write mode is used to set the I<sup>2</sup>C-Bus control register which determines the operating mode:

**Control Register:**

Bit Number:	7	6	5	4	3	2	1	0
	T7	T6	T5	T4	T3	T2	T1	T0

Default: All bits are set to 0 on power-up.

**The bits T4 through T7** are used for test purposes and must not be changed for normal operation by user software! (0 = normal operation)

You may write 00<sub>H</sub>, 01<sub>H</sub>, 02<sub>H</sub>, 03<sub>H</sub>, 04<sub>H</sub>, 05<sub>H</sub>, 06<sub>H</sub>, 07<sub>H</sub>, 08<sub>H</sub>, 09<sub>H</sub>, 0A<sub>H</sub>, 0B<sub>H</sub>, 0C<sub>H</sub>, 0D<sub>H</sub>, 0E<sub>H</sub>, 0F<sub>H</sub> to the register without effect. This enables the SDA 5642-6 to be used for VPS decoding instead of the SDA 5050 or SDA 5649 without software problems.

**2.2.4 Read Mode**

For reading from the VPS decoder, the following format has to be used

Start	Chipaddress	Read Mode	AS	1st Byte	AM	.....	Last Byte	NAM	Stop
-------	-------------	-----------	----	----------	----	-------	-----------	-----	------

:

The contents of up to 16 registers (bytes) can be read starting with byte 1 bit 7 (refer to the table **Order of Data Output on the I<sup>2</sup>C Bus and...**) depending on the selected operating mode.

Description of Data Transfer (Read Mode)

- Step1: To start a data transfer the master generates a Start Condition on the bus by pulling the SDA line low while the SCL line is held high. The byte address counter in the decoder is reset and points to the first byte to be output.
- Step 2: The bus master puts the chip address on the SDA line during the next eight SCL pulses.
- Step 3: The master releases the SDA line during the ninth clock pulse. Thus the slave can generate an acknowledge (AS) by pulling the SDA line to a low level. At this moment, the slave switches to transmitting mode.
- Step 4: During the next eight clock pulses the slave puts the addressed data byte onto the SDA line.
- Step 5: The reception of the byte is acknowledged by the master device which, in turn, pulls down the SDA line during the next SCL clock pulse. By acknowledging a byte, the master prompts the slave to increment its internal address counter and to provide the output of the next data byte.
- Step 6: Steps no. 4 and no. 5 are repeated, until the desired amount of bytes have been read.
- Step 7: The last byte is output by the slave since it will not be acknowledged by the master.
- Step 8: To conclude the read operation, the master doesn't acknowledge the last byte to be received. A No Acknowledge by the master (NAM) causes the slave to switch from transmitting to receiving mode. Note that the master can prematurely cease any reading operation by not acknowledging a byte.
- Step 9: The master gains control over the SDA line and concludes the data transfer by generating a Stop Condition on the bus, i. e., by producing a low/high transition on the SDA line while the SCL line is in a high state. With the SDA and the SCL lines being both in a high state, the I<sup>2</sup>C Bus is free and ready for another data transfer to be started.

**2.3 Order of Data Output on the I<sup>2</sup>C Bus and Bit Allocation**

<b>I<sup>2</sup>C Bus</b>		<b>VPS Mode</b>		
t ↓	Byte 1	bit 7	byte 11	bit 0 <sup>1)</sup>
		6		1
		5		2
		4		3
		3		4
		2		5
		1		6
		0		7
Byte 2	bit 7	byte 12	bit 0	
	6		1	
	5		2	
	4		3	
	3		4	
	2		5	
	1		6	
	0		7	
Byte 3	bit 7	byte 13	bit 0	
	6		1	
	5		2	
	4		3	
	3		4	
	2		5	
	1		6	
	0		7	
Byte 4	bit 7	byte 14	bit 0	
	6		1	
	5		2	
	4		3	
	3		4	
	2		5	
	1		6	
	0		7	

<sup>1)</sup> Transmission bit number

**2.3 Order of Data Output on the I<sup>2</sup>C Bus and Bit Allocation (cont'd)**

<b>I<sup>2</sup>C Bus</b>		<b>VPS Mode</b>	
Byte 5	bit 7	byte 5	bit 0
	6		1
	5		2
	4		3
	3		4
	2		5
	1		6
	0		7
Byte 6	bit 7	byte 15	bit 0
	6		1
	5		2
	4		3
	3		4
	2		5
	1		6
	0		7
Byte 7	bit 7	– set to “1”	
	6	– set to “1”	
	5	– set to “1”	
	4	– set to “1”	
	3	– set to “1”	
	2	– set to “1”	
	1	– set to “1”	
	0	– set to “1”	

1) Transmission bit number

## 2.4 Description of DAVN and EHB Outputs

DAVN (Data Valid active low)

EHB (First Field active high)

Signal Output	VPS Mode
<b>DAVN</b>	
H/L-transition (set low)	in line 16 when valid VPS data is received
L/H-transition (set high)	at the start of line 16
always set high	on power-up or during I <sup>2</sup> C-Bus accesses when the bus master doesn't acknowledge in order to generate the stop condition

### EHB

L/H-transition	at the beginning of the first field
H/L-transition	at the beginning of the second field

In test mode (i.e. TI = high), both DAVN and EHB are controlled by the CS0 pin and reproduce the state of the CS0 input.

### 3 Electrical Characteristics

#### Absolute Maximum Ratings

$$T_A = 25\text{ °C}$$

Parameter	Symbol	Limit Values			Unit	Test Condition
		min.	typ.	max.		
Ambient temperature	$T_A$	0		70	°C	in operation
Storage temperature	$T_{stg}$	- 40		125	°C	by storage
Total power dissipation	$P_{tot}$			300	mW	
Power dissipation per output	$P_{DQ}$			10	mW	
Input voltage	$V_{IM}$	- 0.3		6	V	
Supply voltage	$V_{DD}$	- 0.3		6	V	
Thermal resistance	$R_{th\ SU}$			80	K/W	

Note: Maximum ratings are absolute ratings; exceeding any one of these values may cause irreversible damage to the integrated circuit.

#### Operating Range

Supply voltage	$V_{DD}$	4.5	5	5.5	V	
Supply current	$I_{DD}$		5	15	mA	
Ambient temperature range	$T_A$	0		70	°C	

Note: In the operating range the functions given in the circuit description are fulfilled.

**Electrical Characteristics**

$T_A = 25\text{ °C}$

Parameter	Symbol	Limit Values			Unit	Test Condition
		min.	typ.	max.		

**Input Signals SDA, SCL, CS0**

H-input voltage	$V_{IH}$	$0.7 \times V_{DD}$		$V_{DD}$	V	
L-input voltage	$V_{IL}$	0		$0.3 \times V_{DD}$	V	
Input capacitance	$C_I$			10	pF	
Input current	$I_{IM}$			10	$\mu A$	

**Input Signal TI**

H-input voltage	$V_{IH}$	$0.9 \times V_{DD}$		$V_{DD}$	V	
L-input voltage	$V_{IL}$	0		$0.1 \times V_{DD}$	V	
Input capacitance	$C_I$			10	pF	
Input current	$I_{IM}$			10	$\mu A$	

**Input Signals CVBS**

(pos. Video, neg. Sync)

Video input signal level	$V_{CVBS}$	0.7	1.0	2.0	V	2 Vpp with 0.8 V $V_{SYNC}$ and 1.2 V $V_{DAT}$
Synchron signal amplitude	$V_{SYNC}$	0.15	0.3	0.8 (1.0)	V	1.0 V only related to VCS signal generation
Data amplitude	$V_{DAT}$	0.25 $1.5 \times V_{SYNC}$	0.5	1.2	V	
Coupling capacitor	$C_C$		33		nF	
H-input current	$I_{IH}$			10	$\mu A$	$V_I = 5\text{ V}$
L-input current	$I_{IL}$	- 1000	- 400	- 100	$\mu A$	$V_I = 0\text{ V}$
Source impedance	$R_S$			250	$\Omega$	
Leakage resistance at coupling capacitor	$R_C$	0.91	1	1.2	M $\Omega$	



**Electrical Characteristics (cont'd)**

$T_A = 25\text{ °C}$

Parameter	Symbol	Limit Values			Unit	Test Condition
		min.	typ.	max.		

**Output Signals DAVN, EHB, VCS**

H-output voltage	$V_{QH}$	$V_{DD} - 0.5$			V	$I_Q = -100\text{ }\mu\text{A}$
L-output voltage	$V_{QL}$			0.4	V	$I_Q = 1.6\text{ mA}$

**Output Signals SDA (Open-Drain-Stage)**

L-output voltage	$V_{QL}$			0.4	V	$I_Q = 3.0\text{ mA}$
Permissible output voltage				5.5	V	

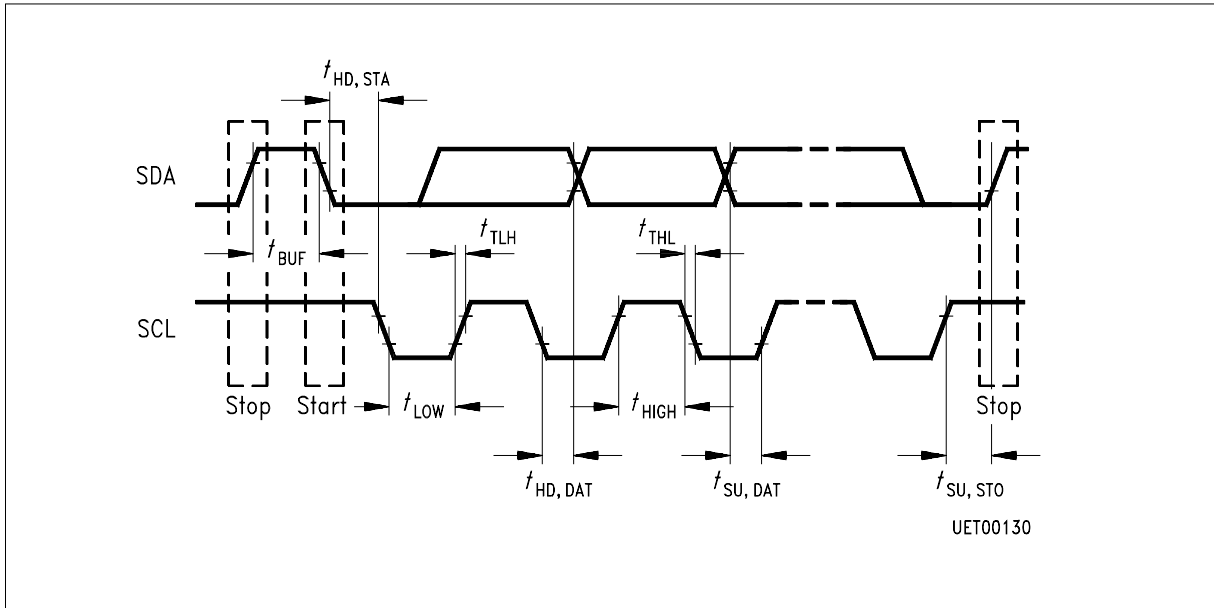
**PLL-Loop Filter Components (see application circuit)**

Resistance at PD2/ VCO2	$R_1$		6.8		k $\Omega$	
Resistance at VCO1	$R_2$		1200		k $\Omega$	
Attenuation resistance	$R_3$		6.8		k $\Omega$	
Resistance at PD2/ VCO2	$R_5$		1200		k $\Omega$	
Integration capacitor	$C_1$		2.2		nF	
Integration capacitor	$C_3$		33		nF	

**VCO – Frequency Range Adjustment**

Resistance at IREF (for bias current adjustment)	$R_4$		100		k $\Omega$	
--	-------	--	-----	--	------------	--

Note: The listed characteristics are ensured over the operating range of the integrated circuit. Typical characteristics specify mean values expected over the production spread. If not otherwise specified, typical characteristics apply at  $T_A = 25\text{ °C}$  and the given supply voltage.



**Figure 3**  
**I<sup>2</sup>C-Bus Timing**

Parameter	Symbol	Limit Values		Unit
		min.	max.	
Clock frequency	$f_{SCL}$	0	100	kHz
Inactive time prior to new transmission start-up	$t_{BUF}$	4.7		$\mu s$
Hold time during start condition	$t_{HD; STA}$	4.0		$\mu s$
Low-period of clock	$t_{LOW}$	4.7		$\mu s$
High-period of clock	$t_{HIGH}$	4.0		$\mu s$
Set-up time for data	$t_{SU; DAT}$	250		ns
Rise time for SDA and SCL signal	$t_{TLH}$		1	$\mu s$
Fall time for SDA and SCL signal	$t_{THL}$		300	ns
Set-up time for SCL clock during stop condition	$t_{SU; STO}$	4.7		$\mu s$

All values referred to  $V_{IH}$  and  $V_{IL}$  levels.

4 VPS-Receiver

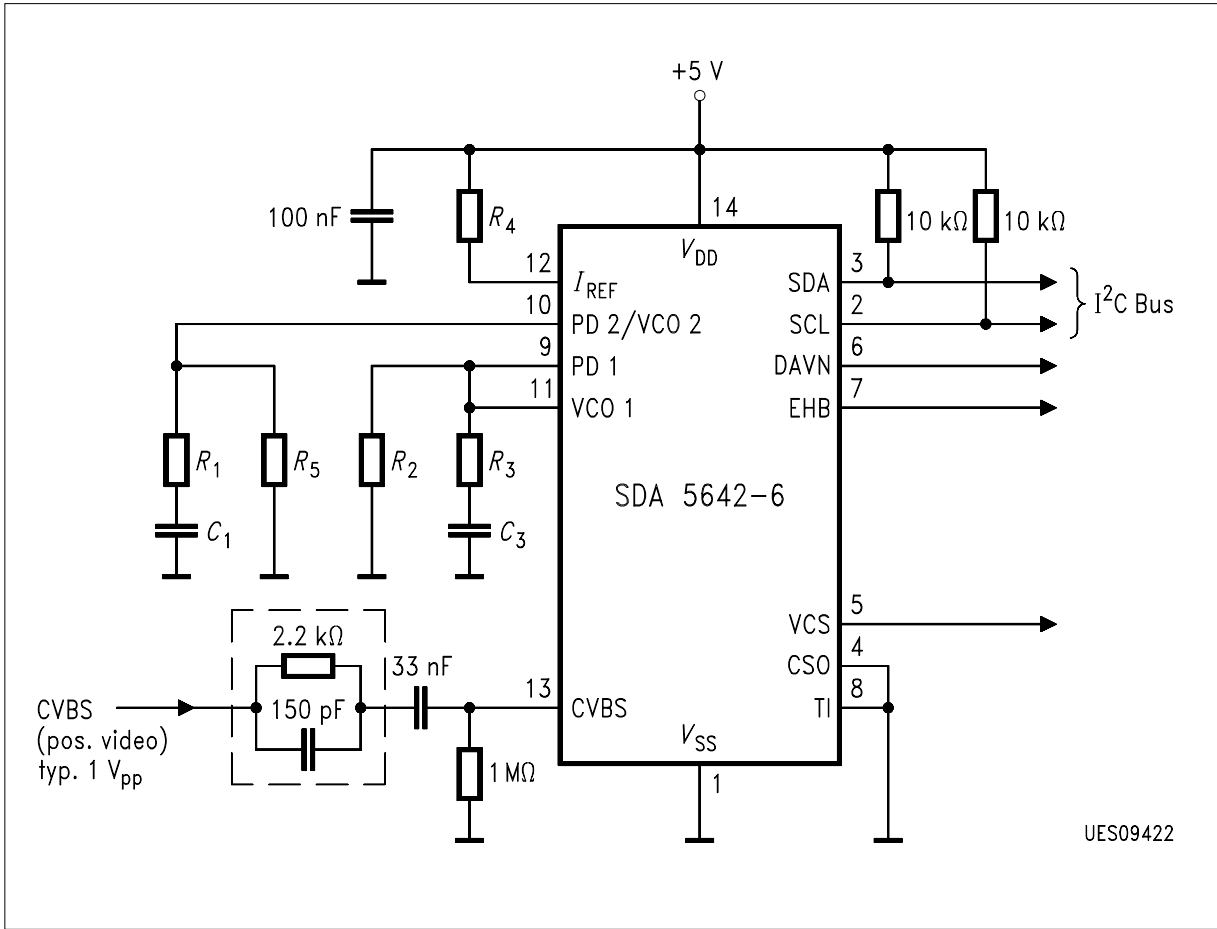


Figure 4

5 Appendix

5.1 Control Register Write (I<sup>2</sup>C-Bus Write)

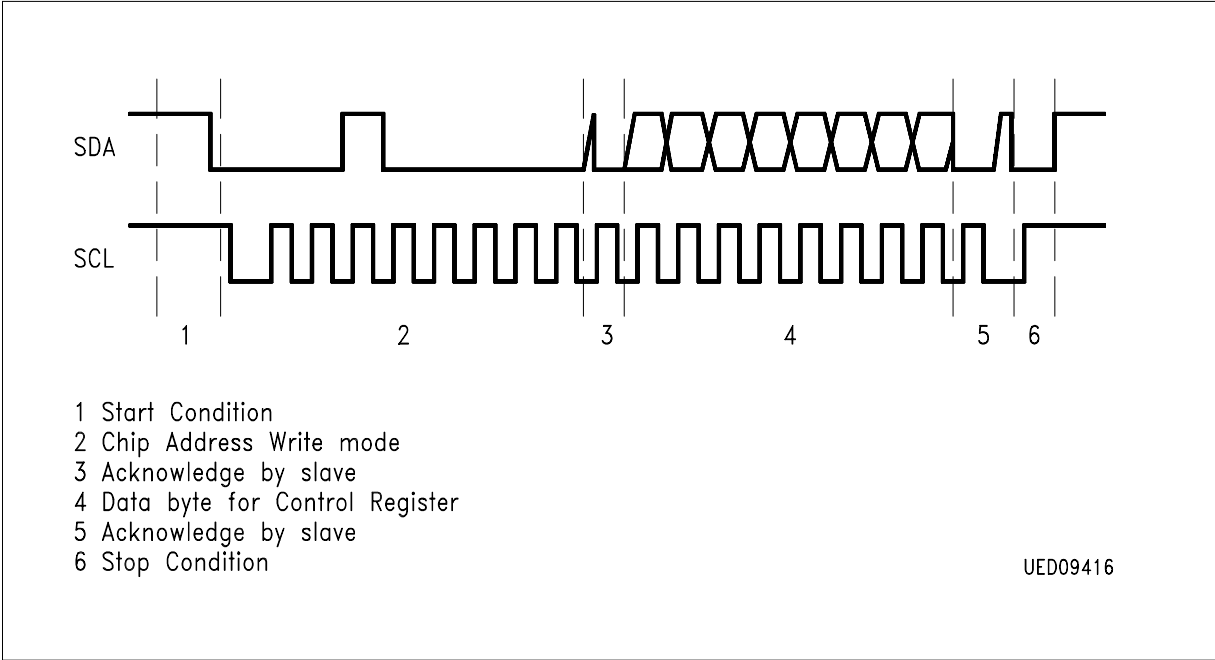


Figure 5

5.2 Data Register Read (I<sup>2</sup>C-Bus Read)

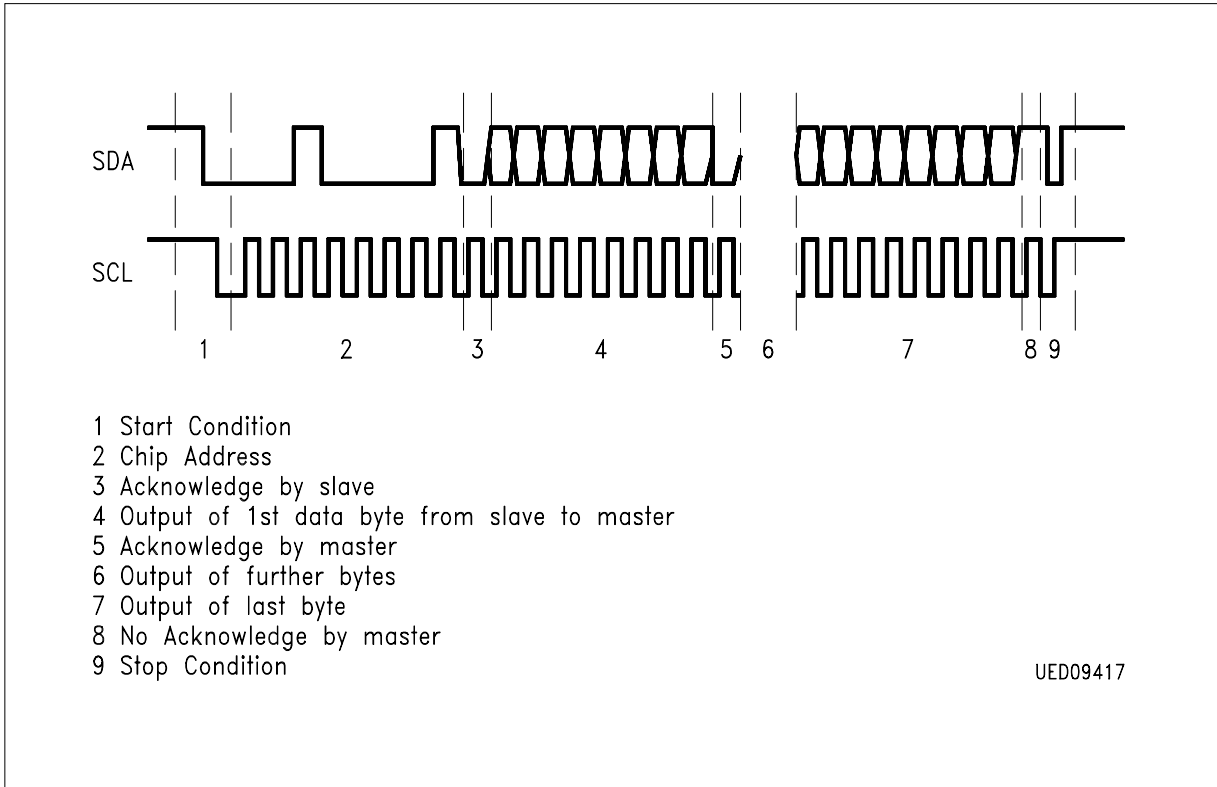


Figure 6

5.3 DAVN and EHB Timing

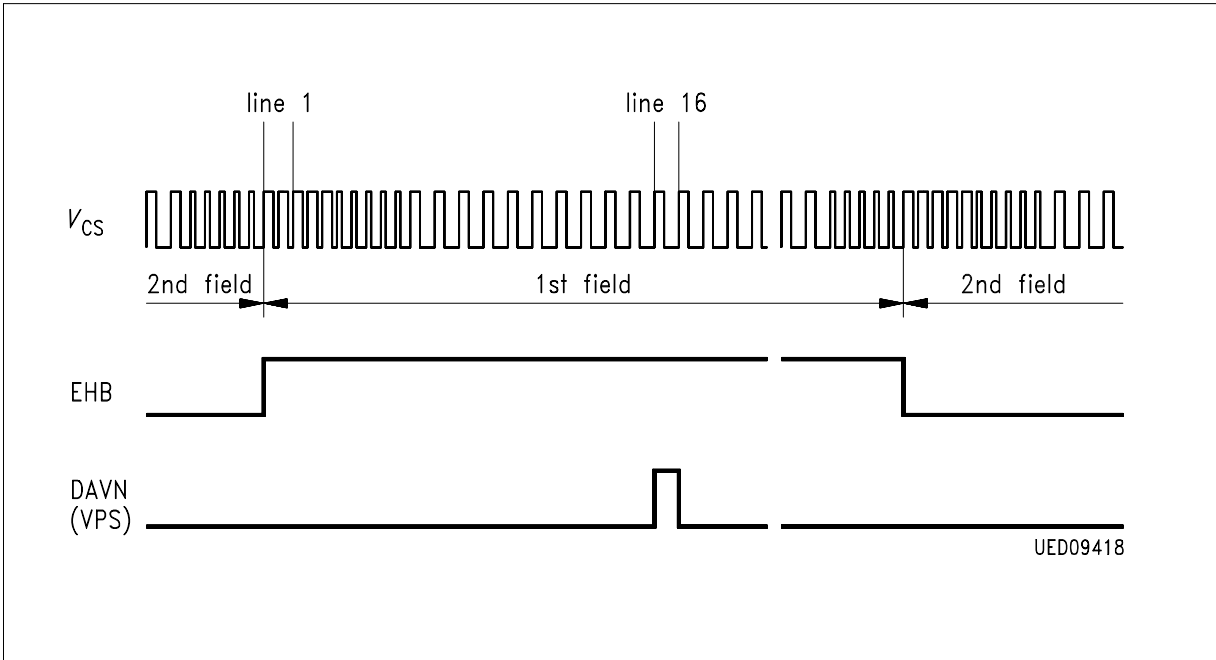


Figure 7

5.4 Position of VPS Data Lines within the Vertical Blanking Interval

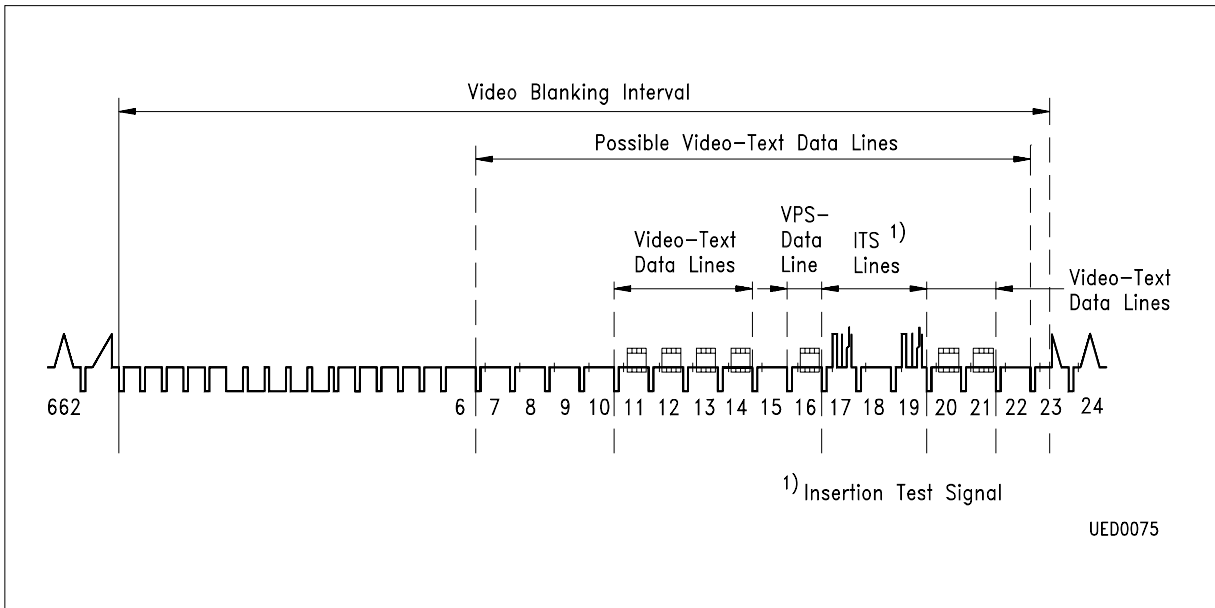


Figure 8

1) (shown for first field)

5.5 Definition of Voltage Levels for VPS Data Line

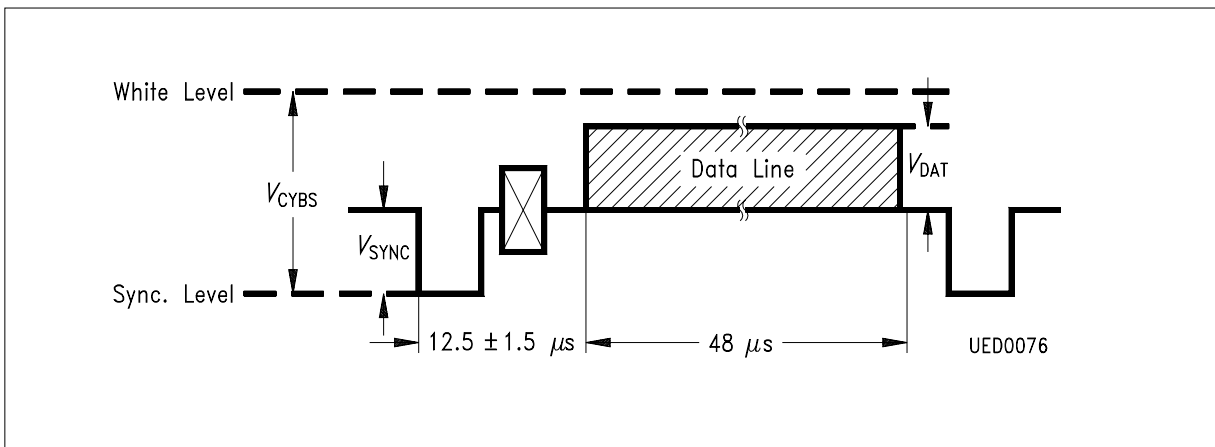


Figure 9

5.6 Data Format of Programme Delivery Data in the Dedicated TV Line (VPS)

Parameter →	<div style="display: flex; justify-content: space-around; align-items: center;"> <span>PCS</span> <span>CNI</span> <span>CNI</span> </div>										
Byte No. →	1	2	3 & 4	5				6 to 10	11		
Parameter Bits b, l →				1 2 3 4	1 2 3 4			9 10	1 2 3 4 5		
Transmission Bit No. →				0 1 2 3	4 5 6 7			0 1	2 3 4 5 6		
Content →	Clock rom-In	Start Code	Not relevant to PDC	Bits b <sub>1</sub> and b <sub>2</sub> 00 don't know 01 mono 10 stereo 11 dual sound Bits b <sub>3</sub> and b <sub>4</sub> are reserved	M	L			M	L	Day binary
Reserved code values for receiver control (Service codes)	Timer Control code			N . . N			N N	0 0 0 0 0			
	Record Inhibit / Term.			N . . N			N N	0 0 0 0 0			
	Interruption code			N . . N			N N	0 0 0 0 0			
	Continuation code			N . . N			N N	0 0 0 0 0			
	Unenhanced VPS			1 1 1 1			N N	P.....			
PTY not in use			N . . N			N N	P.....				

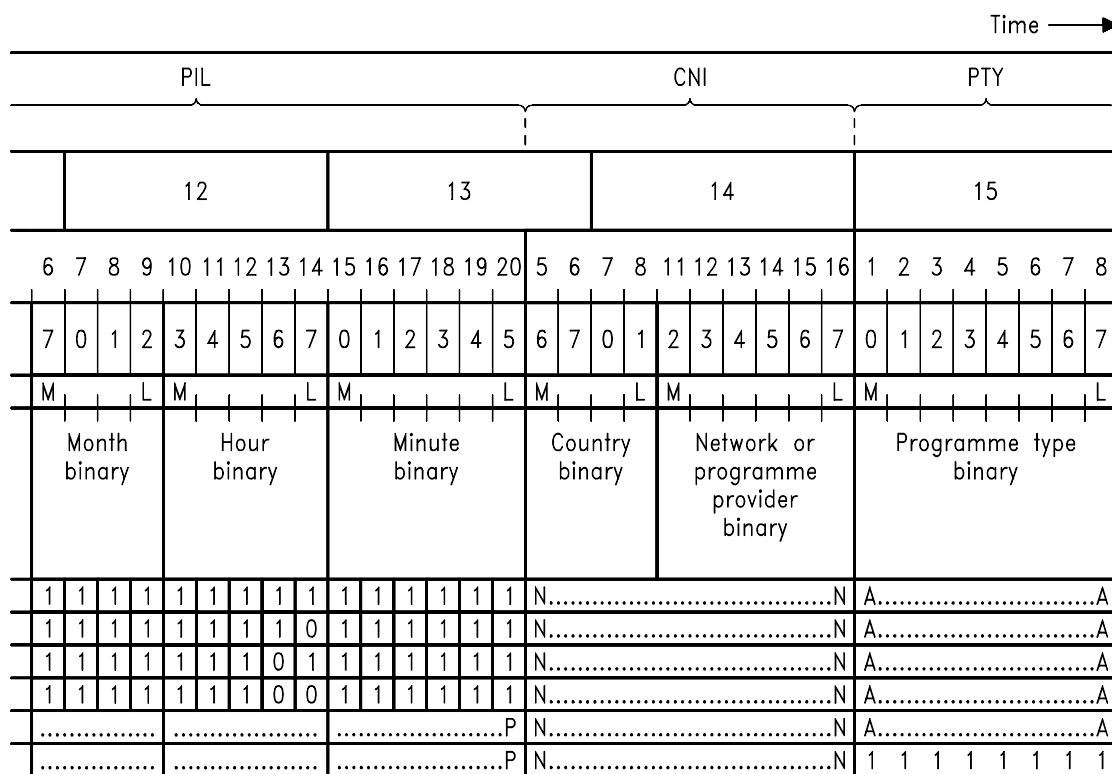
Abbreviations: CNI = Country and Network Identification  
 PCS = Programme Control Status  
 PIL = Programme Identification Label  
 PTY = Programme Type

M = Most-significant Bit  
 L = Least-significant Bit

UEA09420

Figure 10





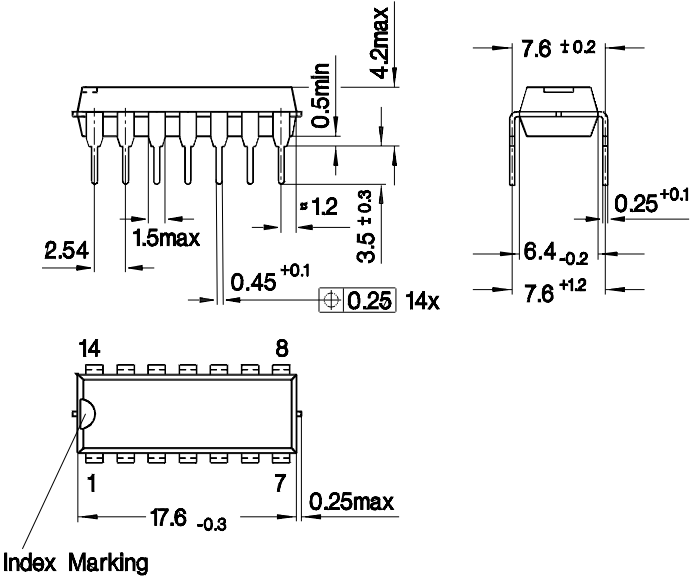
A = Bit value is that of the current PTY code  
 N = Bit value is that of the current CNI code  
 P = Bit value is that of the current PIL code

UEA09421

Figure 11

6 Package Outlines

P-DIP-14-1  
(Plastic Dual In-line Package)



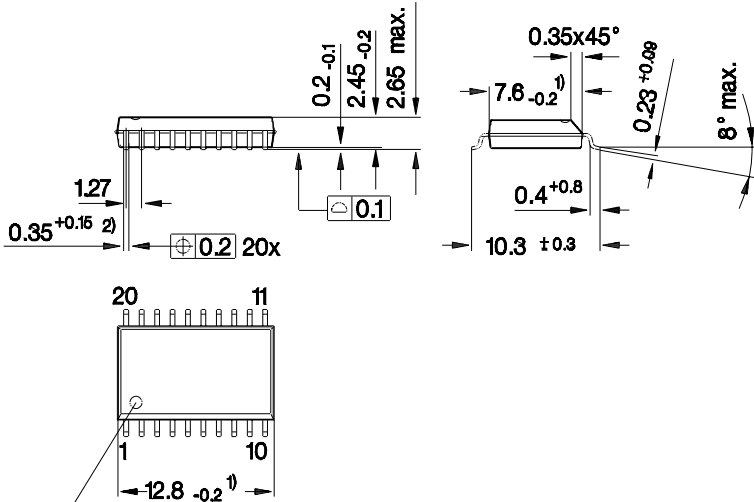
GPD05005

Sorts of Packing

Package outlines for tubes, trays etc. are contained in our Data Book "Package Information".

Dimensions in mm

**P-DSO-20-1**  
(Plastic Dual Small Outline Package)



Index Marking

- 1) Does not include plastic or metal protrusion of 0.15 max. per side
- 2) Does not include dambar protrusion

GPS05094

**Sorts of Packing**

Package outlines for tubes, trays etc. are contained in our Data Book "Package Information".

SMD = Surface Mounted Device

Dimensions in mm