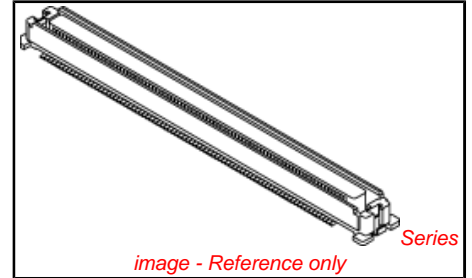


**PLEASE CHECK WWW.MOLEX.COM FOR LATEST PART INFORMATION**

**Part Number:** [0528850374](#)  
**Status:** **Active**  
**Description:** 0.635mm (.025") Pitch SlimStack™ Receptacle, Surface Mount, Dual Row, Vertical Stacking, 5.00 to 10.00mm (.197 to .394") Stacking Heights, Embossed Tape with Cover Packaging, 30 Circuits, Lead-free

**Documents:**

[3D Model](#) [Product Specification PS-52760-015 \(PDF\)](#)  
[Drawing \(PDF\)](#) [RoHS Certificate of Compliance \(PDF\)](#)



**Agency Certification**

UL E29179

**General**

Product Family PCB Receptacles  
 Series 52885  
 Application Board-to-Board  
 Comments Stacking-Type  
 Product Name SlimStack™

**Physical**

Circuits (Loaded) 30  
 Color - Resin Natural  
 Durability (mating cycles max) 50  
 Flammability 94V-0  
 Glow-Wire Compliant No  
 Lock to Mating Part Yes  
 Mated Height (mm) 10.00 mm, 5.00 mm, 6.00 mm, 7.00 mm, 8.00 mm, 9.00 mm

Material - Metal Phosphor Bronze  
 Material - Plating Mating Gold  
 Material - Plating Termination Tin  
 Number of Rows 2  
 Orientation Vertical  
 PCB Locator Yes  
 PCB Retention Yes  
 Packaging Type Embossed Tape on Reel  
 Pitch - Mating Interface (in) 0.025 In  
 Pitch - Mating Interface (mm) 0.64 mm  
 Plating min: Mating (µin) 10  
 Plating min: Mating (µm) 0.25  
 Plating min: Termination (µin) 80  
 Plating min: Termination (µm) 2  
 Polarized to PCB Yes  
 Robotic Placement Pick and Place Cap  
 Surface Mount Compatible (SMC) N/A  
 Temperature Range - Operating -55°C to +85°C  
 Termination Interface: Style Surface Mount

**Electrical**

Current - Maximum per Contact 0.5A  
 Voltage - Maximum 100V

**Material Info**

**Reference - Drawing Numbers**

**EU RoHS**

**ELV and RoHS Compliant**  
**REACH SVHC**  
 Not Reviewed  
**Halogen-Free Status**  
**Halogen-Free**

**China RoHS**



**Need more information on product environmental compliance?**

Email [productcompliance@molex.com](mailto:productcompliance@molex.com)  
 For a multiple part number RoHS Certificate of Compliance, [click here](#)

Please visit the [Contact Us](#) section for any non-product compliance questions.

**Search Parts in this Series**

52885Series

**Mates With**

55091 , 53649 , 53643 , 53475 , 53627 , 53553 , 5 3552, 53647 , 53551 , 53481 , 53625

Product Specification

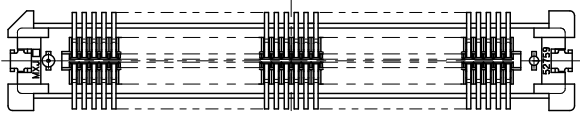
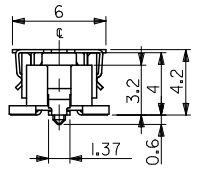
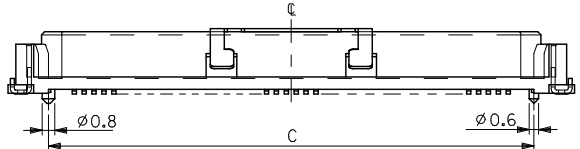
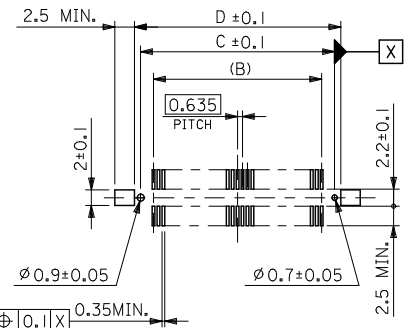
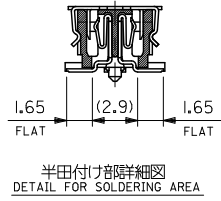
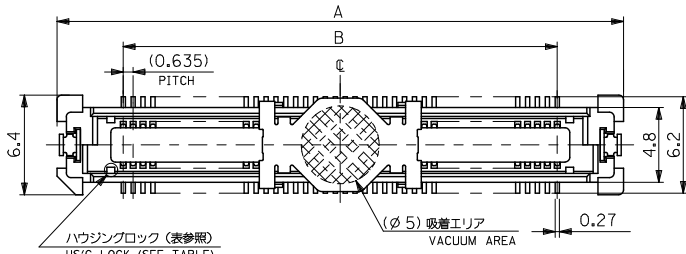
Sales Drawing

PS-52760-015, RPS-52760-017, RPS-52760-018,  
RPS-52760-020, RPS-52760-021, RPS-52760-029,  
RPS-52885-007, RPS-52885-008, RPS-52885-009  
SD-52885-003, SD-52885-004

This document was generated on 04/15/2010

**PLEASE CHECK [WWW.MOLEX.COM](http://WWW.MOLEX.COM) FOR LATEST PART INFORMATION**

10 9 8 7 6 5 4 3 2 1



推奨基板寸法 (参考)  
RECOMMENDED PCB PATTERN LAYOUT (REF.)  
(SCALE 2:1)

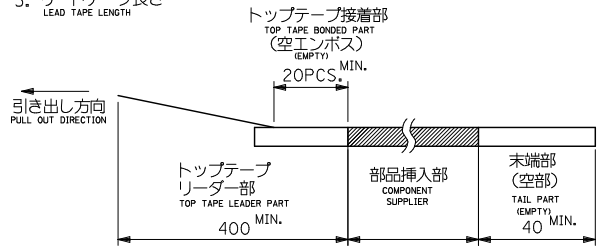
- 注) NOTES
- 材質  
MATERIAL  
ハウジング: ガラス入り LCP, 白色, UL94V-0  
HOUSING: G.F.LCP, WHITE, UL94V-0  
ターミナル: 銅合金 (t = 0.2)  
TERMINAL: COPPER ALLOY  
吸着カバー: ステンレス (t = 0.2)  
VACUUM COVER: STAINLESS STEEL  
補強金具: 銅合金 (t = 0.25)  
FITTING NAIL: COPPER ALLOY
  - メッキ仕様  
PLATING  
ターミナル: 接点部: 金メッキ 0.25 マイクロメートル以上  
CONTACT AREA: GOLD 0.25 MICROMETER MINIMUM  
半田付け部: 鉛メッキ 1.0 マイクロメートル以上  
SOLDER TAIL AREA: TIN 1.0 MICROMETER MINIMUM  
下地メッキ: ニッケルメッキ 1.5 マイクロメートル以上  
UNDER-PLATING: NICKEL 1.5 MICROMETER MINIMUM  
補強金具: 下地メッキ: ニッケルメッキ 1.0 マイクロメートル以上  
FITTING NAIL: TIN 1.0 MICROMETER MINIMUM  
UNDER-PLATING: NICKEL 1.0 MICROMETER MINIMUM
  - テールのバラツキ寸法  
TAIL COPLANARITY  
240 極以下品のテール平坦度は 0.1 MAX.,  
240 極品のテール平坦度は 0.12 MAX. とする。  
TAILS COPLANARITY TO BE 0.1 MAX.  
IN 240 CIRCUITS, TAILS COPLANARITY TO BE 0.12 MAX.
  - エンボス対応製品の梱包については、SD-52885-004 を参照下さい。  
FOR THE EMBOSSED PACKAGE PRODUCTS, SEE SD-52885-004.

無し NO	80.47	78.87	75.565	84.07	52885-2474	240		
	67.77	66.17	62.865	71.37	52885-2074	200		
	55.07	53.47	50.165	58.67	52885-1674	160		
	48.72	47.12	43.815	52.32	52885-1474	140		
	42.37	40.77	37.465	45.97	52885-1274	120		
	36.02	34.42	31.115	39.62	52885-1074	100		
	32.85	31.25	27.94	36.45	▲	-0974	90	
	29.67	28.07	24.765	33.27		-0874	80	
	26.5	24.9	21.59	30.1		-0774	70	
	23.32	21.72	18.415	26.92		-0674	60	
有り YES	20.15	18.55	15.24	23.75		-0574	50	
	16.97	15.37	12.065	20.57		-0474	40	
	13.8	12.2	8.89	17.4		▼	-0374	30
	10.62	9.02	5.715	14.22			52885-0274	20
ハウジング HSG LOCK	D	C	B	A	エンボス梱包 EMBOSSED PACKAGING	極数 CKT. NO.		
CONNECTORS SERIES No.					52885-***72			

REVISED EC NO: J2010-2458 DRAWN: KAIHO 2010/06/04 CHKDK: TOJO 2010/06/10 APPR: MSASAO 2010/06/11 REV	GENERAL TOLERANCES (UNLESS SPECIFIED)		DIMENSION STYLE MM ONLY	SCALE ---	DESIGN UNITS METRIC	THIRD ANGLE PROJECTION
	10 UNDER	± 0.2	DRAWN BY M. NAGATA	DATE 2004/02/25	TITLE 0.635 PITCH B TO B S/T REC. HSG ASSY -LEAD FREE-	
	10 OVER 30 UNDER	± 0.25	CHECKED BY K. TOJO	DATE 2004/02/25	MOLEX INCORPORATED	
	30 OVER	± 0.3	APPROVED BY M. SASAO	DATE 2004/02/25	MATERIAL NO. SEE CHART	DOCUMENT NO. SD-52885-003
ANGULAR ± 3 ° DRAFT WHERE APPLICABLE MUST REMAIN WITHIN DIMENSIONS			SIZE A3 THIS DRAWING CONTAINS INFORMATION THAT IS PROPRIETARY TO MOLEX INCORPORATED AND SHOULD NOT BE USED WITHOUT WRITTEN PERMISSION			

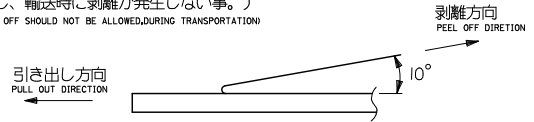
注)  
NOTES

1. 製品番号 52885-\*\*\*72 の詳細寸法については SD-52885-003 を参照下さい。  
IN THE PACKAGE, PART NO. 52885-\*\*\*72 DETAILED DIMENSIONS, SEE SD-52885-003
2. 梱包数量 : 1000個/リール  
NUMBER OF CONNECTORS : 1000 PCS/REEL
3. リードテープ長さ  
LEAD TAPE LENGTH



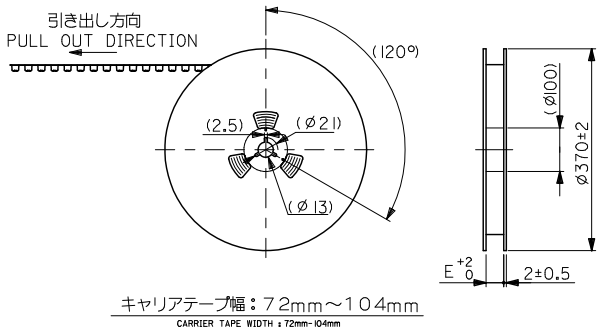
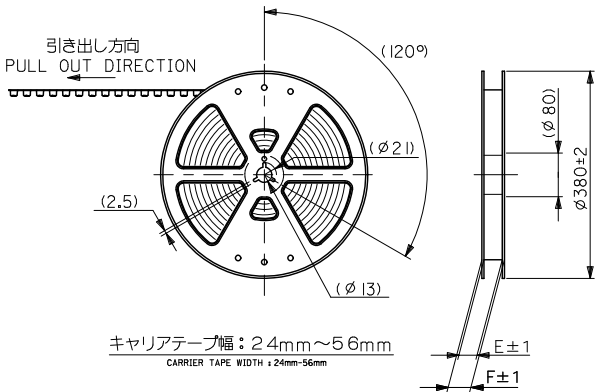
4. トップテープの剥離強度 (剥離方向は下図参照)  
PEELING OFF FORCE OF TOP TAPE (PEELING DIRECTION AS SHOWN IN FOLLOWING FIG.)  
0.1~0.3N {10~130gf}

尚、本規格値は、出荷時に適用。  
THIS REQUIREMENT SHOULD BE APPLIED AT SHIPMENT  
(但し、輸送時に剥離が発生しない事。)  
(PEEL OFF SHOULD NOT BE ALLOWED DURING TRANSPORTATION)



5. 材料

MATERIAL  
 キャリアテープ : ポリプロピレン (PP)  
 CARRIER TAPE : POLYPROPYLENE (PP)  
 トップテープ : PET, PE, PEF  
 TOP TAPE : PET, PE, PEF  
 リール : キャリアテープ幅 24mm~56mm : ポリスチレン  
 REEL : CARRIER TAPE WIDTH 24mm-56mm : POLYSTYRENE  
 キャリアテープ幅 72mm~104mm : 紙  
 CARRIER TAPE WIDTH 72mm-104mm : CARD BOARD

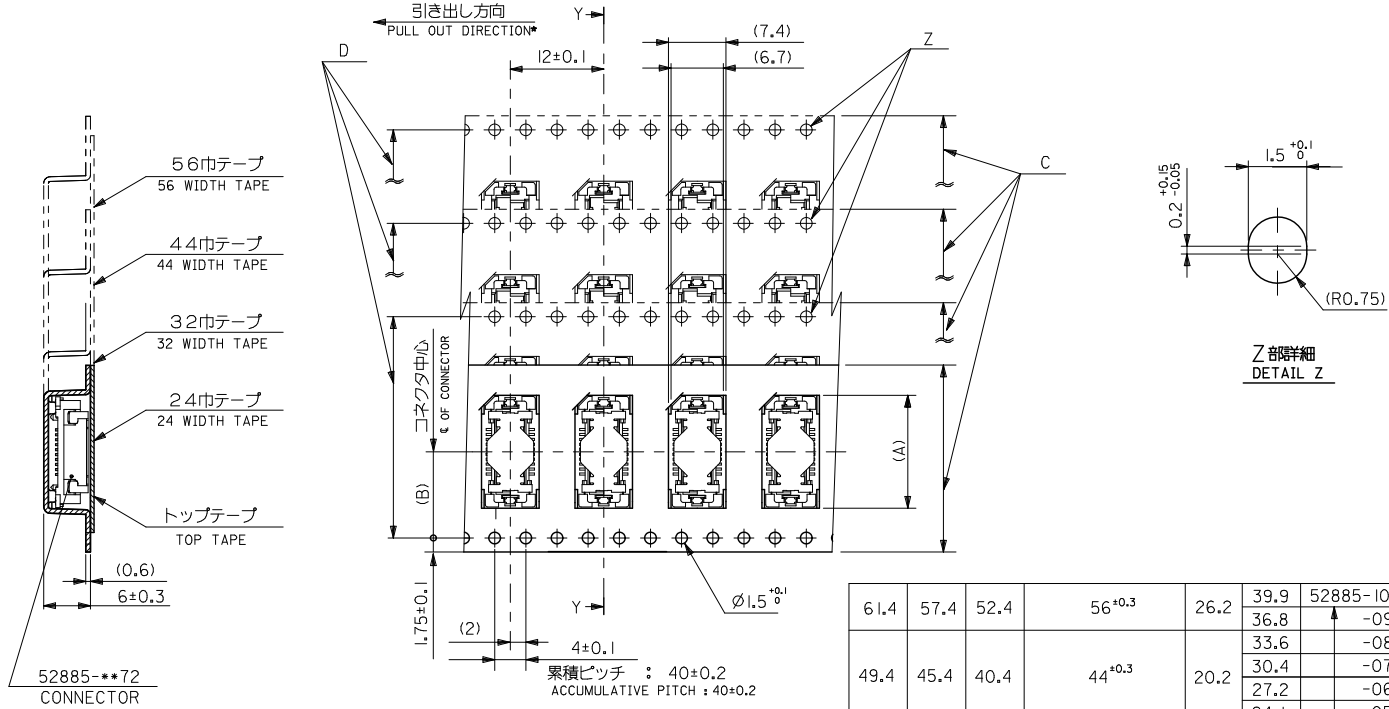


CONNECTOR SERIES No.		52885-***72	
SCALE	DESIGN UNITS	THIRD ANGLE PROJECTION	
---	METRIC		

REVISED EC NO: J2010-2458 DRAWN: KAIHO CHKD: TOJO APPR: MSASAO	GENERAL TOLERANCES (UNLESS SPECIFIED)		DIMENSION STYLE MM ONLY	
	10 UNDER	±---	DRAWN BY	DATE
	10 OVER 30 UNDER	±---	M. NAGATA	2004/02/25
	30 OVER	±---	CHECKED BY	DATE
	ANGULAR	±--- °	K. TOJO	2004/02/25
	DRAFT WHERE APPLICABLE MUST REMAIN WITHIN DIMENSIONS		APPROVED BY	DATE
			M. SASAO	2004/02/25
			MATERIAL NO. SEE TABLE	

TITLE		52885-***72 TAPING PACKAGE -LEAD FREE-	
MOLEX INCORPORATED		DOCUMENT NO.	
SD-52885-004		SHEET NO.	
1 OF 3		THIS DRAWING CONTAINS INFORMATION THAT IS PROPRIETARY TO MOLEX INCORPORATED AND SHOULD NOT BE USED WITHOUT WRITTEN PERMISSION	

10 9 8 7 6 5 4 3 2 1

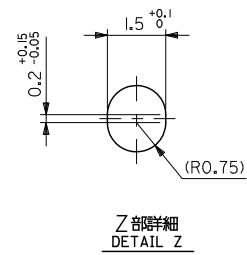
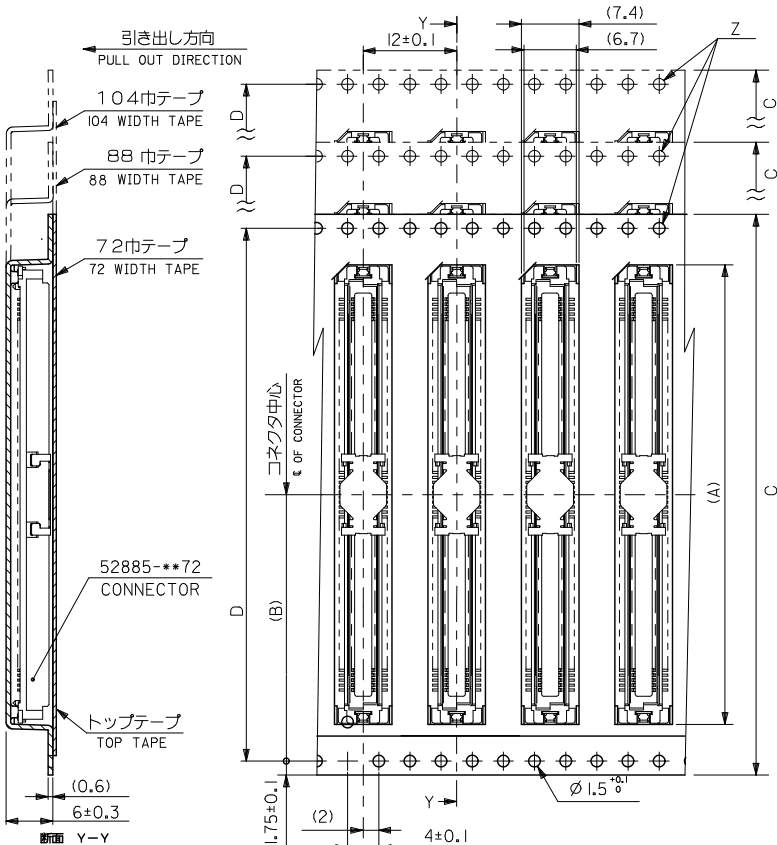


断面 Y-Y  
SECTION Y-Y

61.4	57.4	52.4	56 <sup>+0.3</sup>	26.2	39.9	52885-1074	100
					36.8	-0974	90
					33.6	-0874	80
49.4	45.4	40.4	44 <sup>+0.3</sup>	20.2	30.4	-0774	70
					27.2	-0674	60
					24.1	-0574	50
37.4	33.4	28.4	32 <sup>+0.3</sup>	14.2	20.9	-0474	40
					17.7	-0374	30
29.4	25.4	—	24 <sup>+0.3</sup>	11.5	14.5	52885-0274	20
F	E	D	C	キャリアテープ幅 CARRIER TAPE WIDTH	(B)	(A)	MATERIAL NO. 種別 CKT.No.

REVISED EC NO: J2010-2458 DRAWN: KAIHO 2010/06/04 CHKD: TOJO 2010/06/10 APPR: MSASAO 2010/06/11	GENERAL TOLERANCES (UNLESS SPECIFIED)		DIMENSION STYLE MM ONLY		SCALE ---	DESIGN UNITS METRIC	THIRD ANGLE PROJECTION	
	10 UNDER	±---	DRAWN BY M. NAGATA	DATE 2004/02/25	TITLE 52885-***72 TAPING PACKAGE -LEAD FREE-			
	10 OVER 30 UNDER	±---	CHECKED BY K. TOJO	DATE 2004/02/25	MOLEX INCORPORATED			
	30 OVER	±---	APPROVED BY M. SASAO	DATE 2004/02/25	DOCUMENT NO. SD-52885-004		SHEET NO. 2 OF 3	
DESCRIPTION	ANGULAR ±--- °	DRAFT WHERE APPLICABLE MUST REMAIN WITHIN DIMENSIONS		SEE TABLE		THIS DRAWING CONTAINS INFORMATION THAT IS PROPRIETARY TO MOLEX INCORPORATED AND SHOULD NOT BE USED WITHOUT WRITTEN PERMISSION		

10 9 8 7 6 5 4 3 2 1



104.4	100.4	104 <sup>+0.3</sup>	50.2	84.4	52885-2474	240
88.4	84.4	88 <sup>+0.3</sup>	42.2	71.7	52885-2074	200
72.4	68.4	72 <sup>+0.3</sup>	34.2	59.0	52885-1674	160
				52.6	52885-1474	140
			46.3	52885-1274	120	
E	D	C	キャリアテープ幅 CARRIER TAPE WIDTH	(B)	(A)	MATERIAL NO. 種別 CRT. NO.

累積ピッチ : 40±0.2  
ACCUMULATIVE PITCH : 40±0.2

REVISED EC NO: J2010-2458 DRAWN: KAIHO 2010/06/04 CHECKED: TOJO 2010/06/10 APPR: MSASAO 2010/06/11 REV. DESCRIPTION	GENERAL TOLERANCES (UNLESS SPECIFIED)		DIMENSION STYLE MM ONLY		SCALE ---	DESIGN UNITS METRIC	THIRD ANGLE PROJECTION
	10 UNDER	±---	DRAWN BY M. NAGATA	DATE 2004/02/25	TITLE 52885-***72 TAPING PACKAGE -LEAD FREE-		
	10 OVER 30 UNDER	±---	CHECKED BY K. TOJO	DATE 2004/02/25	MOLEX INCORPORATED		
	30 OVER	±---	APPROVED BY M. SASAO	DATE 2004/02/25	DOCUMENT NO. SD-52885-004		
	ANGULAR	±--- °	MATERIAL NO. SEE TABLE	SHEET NO. 3 OF 3			
DRAFT WHERE APPLICABLE MUST REMAIN WITHIN DIMENSIONS		THIS DRAWING CONTAINS INFORMATION THAT IS PROPRIETARY TO MOLEX INCORPORATED AND SHOULD NOT BE USED WITHOUT WRITTEN PERMISSION					