

**PLEASE CHECK WWW.MOLEX.COM FOR LATEST PART INFORMATION**

**Part Number:** [0522712379](#)  
**Status:** **Active**  
**Overview:**  
**Description:** 1.00mm (.039") Pitch FFC/FPC Connector, Right Angle, SMT, ZIF, Bottom Contact Style, 23 Circuits, Lead-free, High Barrier Packaging

**Agency Certification**

CSA LR19980  
 UL E29179

**General**

Product Family FFC/FPC Connectors  
 Series [52271](#)  
 Overview [ffc\\_fpc\\_smt](#)  
 Product Name N/A

**Physical**

Circuits (Loaded) 23  
 Color - Resin Natural  
 Contact Position Bottom  
 Durability (mating cycles max) 30  
 Entry Angle 90° Angle  
 Flammability 94V-0  
 Mated Height (in) 0.118 In  
 Mated Height (mm) 3.00 mm  
 Material - Metal Phosphor Bronze  
 Material - Plating Mating Tin-Bismuth  
 Material - Plating Termination Tin-Bismuth  
 Material - Resin Nylon  
 Number of Rows 1  
 Orientation Right Angle  
 PCB Locator No  
 PCB Retention Yes  
 Packaging Type Embossed Tape on Reel  
 Pitch - Mating Interface (in) 0.039 In  
 Pitch - Mating Interface (mm) 1.00 mm  
 Polarized to PCB Yes  
 Stackable No  
 Temperature Range - Operating -40°C to +85°C  
 Termination Interface: Style Surface Mount  
 Wire/Cable Type FFC/FPC

**Electrical**

Current - Maximum per Contact 0.5A  
 Voltage - Maximum 50V AC (RMS)/DC

**Material Info**

**Reference - Drawing Numbers**

Application Specification AS-52271-001  
 Packaging Specification SPK-52271-001, SPK-52271-002  
 Product Specification PS-52271-053, RPS-52271-066, RPS-52271-067, RPS-52271-069, RPS-52271-070, RPS-52271-072, RPS-52271-073, RPS-52271-075, RPS-52271-080, RPS-52271-085, RPS-52271-087, RPS-52271-091  
 Sales Drawing SD-52271-036, SD-52271-037

**EU RoHS**  
**ELV and RoHS**  
**Compliant**  
**REACH SVHC**  
**Contains SVHC: No**  
**Halogen-Free**  
**Status**  
**Not Reviewed**

**China RoHS**



**Need more information on product environmental compliance?**

Email [productcompliance@molex.com](mailto:productcompliance@molex.com)  
 For a multiple part number RoHS Certificate of Compliance, [click here](#)

Please visit the [Contact Us](#) section for any non-product compliance questions.

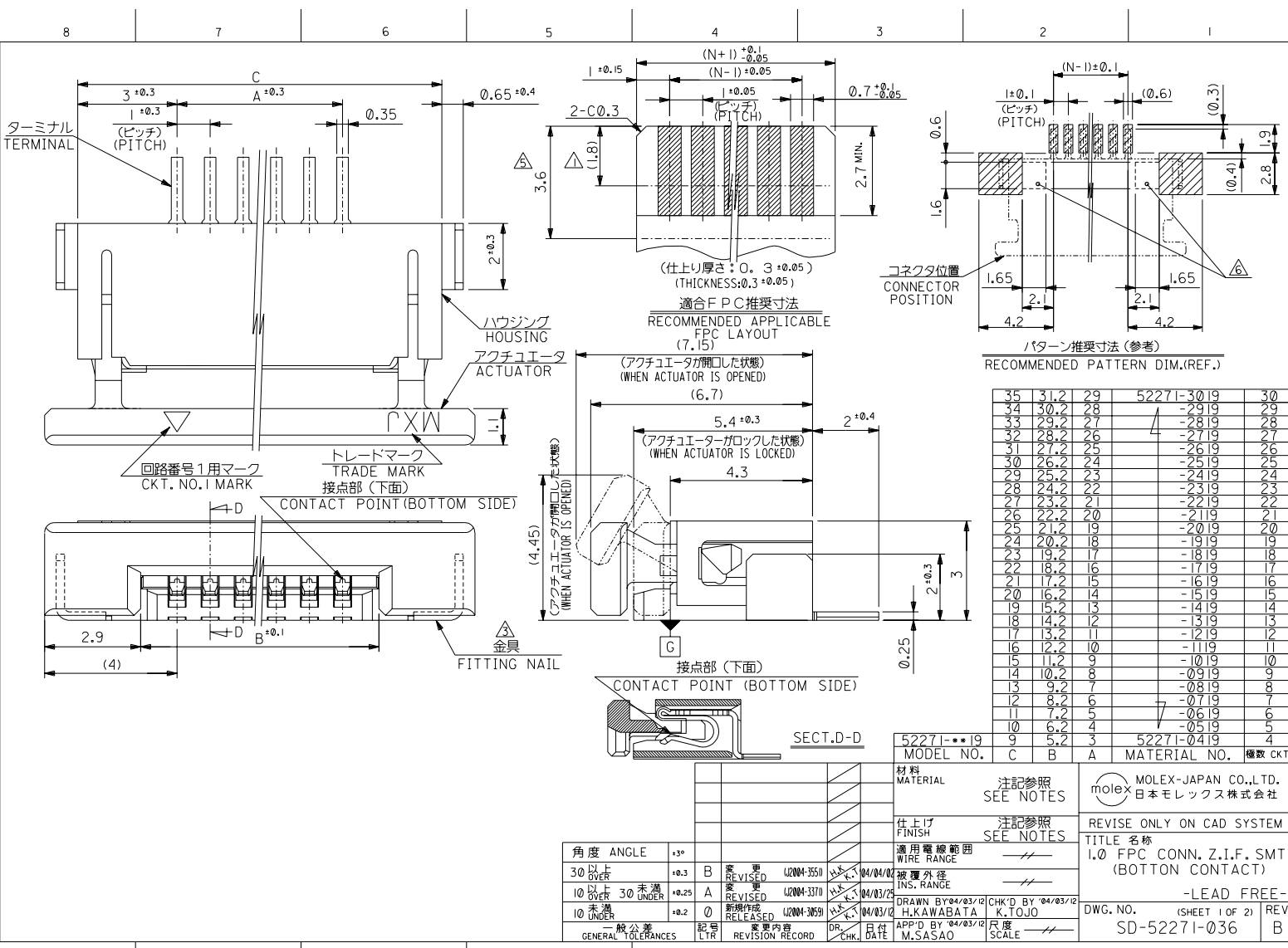
**Search Parts in this Series**  
[52271Series](#)

This document was generated on 06/04/2010

**PLEASE CHECK [WWW.MOLEX.COM](http://WWW.MOLEX.COM) FOR LATEST PART INFORMATION**

DWG. NO. SD-52271-036

1MM DIMENSIONS IN METRIC DO NOT SCALE DRAWING



角度 ANGLE	±3°
30以上 OVER	±0.3
10以上 OVER 30 未満 UNDER	±0.25
10 未満 UNDER	±0.2
一般公差 GENERAL TOLERANCES	

変更内容 REVISION RECORD	DR. DATE	CHK.
変更 A	04/04/02	
変更 B	04/03/23	
新規作成 RELEASED	04/03/12	

材料 MATERIAL	注記参照 SEE NOTES
仕上げ FINISH	注記参照 SEE NOTES
適用電線範囲 WIRE RANGE	---
被覆外径 INS. RANGE	---
DRAWN BY	CHK'D BY
H.KAWABATA	K.IUJO
APP'D BY	尺度 SCALE
M.SASAO	---

REVISE ONLY ON CAD SYSTEM

TITLE 名称  
1.0 FPC CONN. Z.I.F. SMT (BOTTOM CONTACT)

MOLEX MOLEX-JAPAN CO.,LTD.  
日本モレックス株式会社

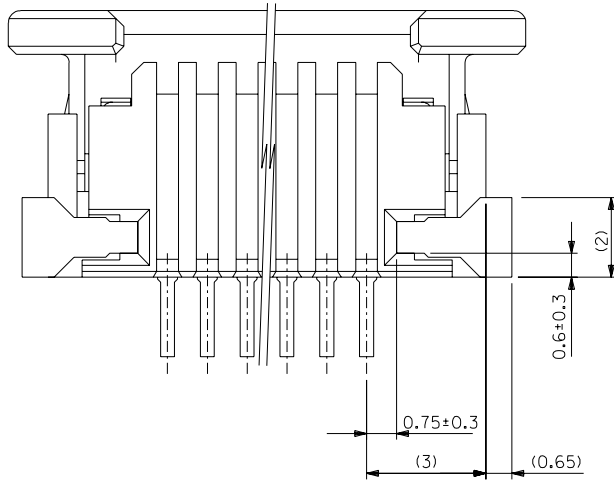
DWG. NO. (SHEET 1 OF 2) REV B  
SD-52271-036

THIS DRAWING CONTAINS INFORMATION THAT IS PROPRIETARY TO MOLEX/JAPAN AND SHOULD NOT BE USED WITHOUT WRITTEN PERMISSION  
本図面は日本モレックス(株)の所有する情報を含むもので、当社の許可なく複製を禁止する。 EN-01C(032)MXJ-32

DWG. NO. SD-52271-036

DIMENSIONS IN METRIC DO NOT SCALE DRAWING

8 7 6 5 4 3 2 1



下面図

注記 NOTES

- △ 接点部までの嵌合長さ。  
LENGTH TO CONTACT POINT.
2. 使用材料 MATERIAL
  - ハウジング : 46ナイロン, UL94V-0
  - アクチュエータ : PPS, UL94V-0
  - ターミナル : ジン青銅 (t=0.25)
  - メッキ : PHOS-BRO.(t=0.25)
  - メッキ : 銅-ビスムス 1.0 マイクロメートル以上
  - メッキ : ニッケル下地 1.0 マイクロメートル以上
- △ パターンはくり止め用金具  
FITTING NAIL FOR PREVENTION OF PEELING OF P.C.B.PATTERN.
4. エンボステープ梱包時は、アクチュエータがロックした状態とする。  
WHEN CONNECTOR IS SHIPPED, ACTUATOR SHOULD BE LOCKED.
- △ FPC挿入深さ。  
INSERTION DEPTH OF FPC
- △ パターン書き込み禁止エリア。  
NO FOOT PRINT AREA.
7. 本製品は52271-\*\*-17の鉛フリー品である。  
THIS PRODUCT IS LEAD FREE OF 52271-\*\*-17.

FPCについて:

打抜き方向は導体側から補強板側を推奨致します。  
補強フィルム材質はポリイミドを推奨致します。  
接着剤は熱硬化接着剤を推奨致します。

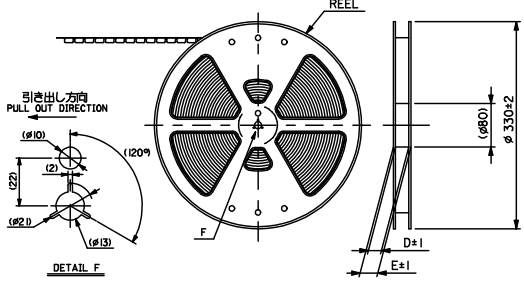
ABOUT FPC:  
RECOMMENDED PUNCHER DIRECTION FROM CONDUCTOR SIDE TO STIFFENER BOARD SIDE.  
RECOMMENDED MATERIAL :  
STIFFENER FILM : POLYIMIDE  
BONDING AGENT : THERMOSETTING BONDING AGENT

MODEL NO. 52271-\*\*-19

		材料 MATERIAL		注記参照 SEE NOTES	MOLEX-JAPAN CO.,LTD. 日本モレックス株式会社
		仕上げ FINISH		注記参照 SEE NOTES	
		適用電線範囲 WIRE RANGE		---	REVISE ONLY ON CAD SYSTEM
		被覆外径 INS. RANGE		---	TITLE 名称
		DRAWN BY: 04/03/12 H.KAWABATA		CHK'D BY: 04/03/12 K.TOJO	I.O FPC CONN. Z.I.F. SMT (BOTTOM CONTACT)
		APP'D BY: 04/03/12 M.SASAO		尺度 SCALE	-LEAD FREE-
		DWG. NO. (SHEET 2 OF 2) REV			SD-52271-036 B
角度 ANGLE	+3°				
30以上 OVER	+0.3	B	変更 REVISD (2004-3550)	04/04/02	
10以上 未満 OVER 30 UNDER	+0.25	A	変更 REVISD (2004-3370)	04/03/12	
10未満 UNDER	+0.2	O	新規作成 RELEASED (2004-3059)	04/03/12	
一般公差 GENERAL TOLERANCES		記号 ITR	変更内容 REVISION RECORD	日付 DATE	

THIS DRAWING CONTAINS INFORMATION THAT IS PROPRIETARY TO MOLEX/JAPAN AND SHOULD NOT BE USED WITHOUT WRITTEN PERMISSION  
本図面は日本モレックス(株)の所有する情報を含むもので、当社の許可なく複製を禁止する。 EN-01C(032)MXJ-32

8 7 6 5 4 3 2 1

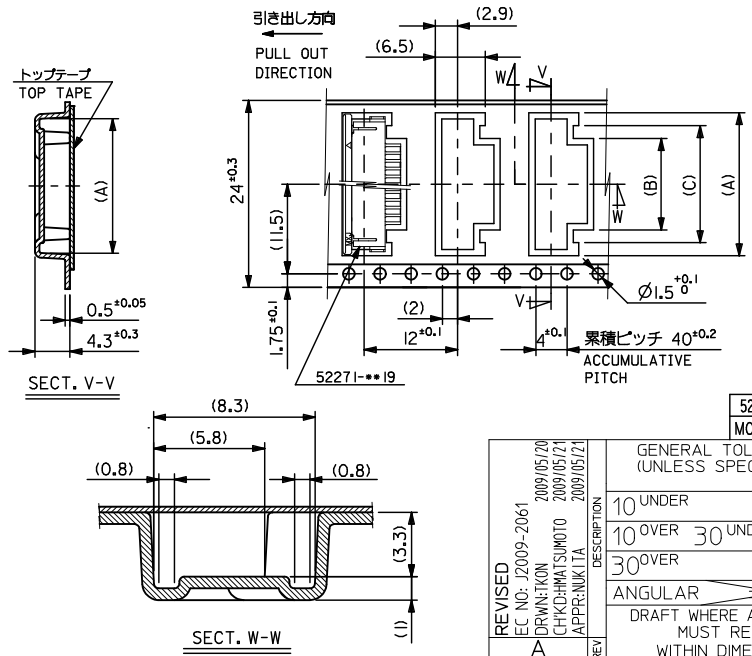


**NOTES**

- 製品番号 52271-\*\*19 の梱包状態はアクチュエータがロックした状態とする。  
IN THE PACKAGE, ACTUATOR OF PART NO. 52271-\*\*19 SHOULD BE LOCKED RE DETAILED DIMENSIONS, SEE SD-52271-036.
- 梱包数量：1000個/リール  
NUMBER OF CONNECTORS：1000 PCS/REEL
- リードテープ長さ LEAD TAPE LENGTH  

トップテープ リーダー部 TOP TAPE LEADER PART	トップテープ 未接着部 TOP TAPE NON-BONDED PART
175 ±25	25 ±5

- トップテープの剥離強度：0.1～1.3N (10～130gf) (剥離方向は図参照) 尚、本規格値は、出荷時に適用。(但し、輸送時に剥離が発生しない事)  
PEELING OFF FORCE OF TOP TAPE：0.1～1.3N (10～130gf)  
(PEELING DIRECTION AS SHOWN IN FOLLOWING FIG.)  
(THIS REQUIREMENT SHOULD BE APPLIED AT SHIPMENT  
PEEL OFF SHOULD NOT BE ALLOWED, DURING TRANSPORTATION)
- 
- 材料 (MATERIAL)  
キャリアテープ (CARRIER TAPE)：ポリプロピレン (POLYPROPYLENE)  
トップテープ (TOP TAPE)：PET, PE, PEF  
リール (REEL)：ポリスチレン (PS) <リサイクル材を含む>  
POLYSTYRENE (PS) <RECYCLE MATERIAL CONTAINED>
  - 本製品は52271-\*\*90の鉛フリー品である。  
THIS PRODUCT IS LEAD FREE OF 52271-\*\*90.
  - 本製品は乾燥剤入り、ハイバリア梱包仕様である。  
THIS PRODUCT IS HIGH BARRIER PACKAGE WITH DESICCANT.

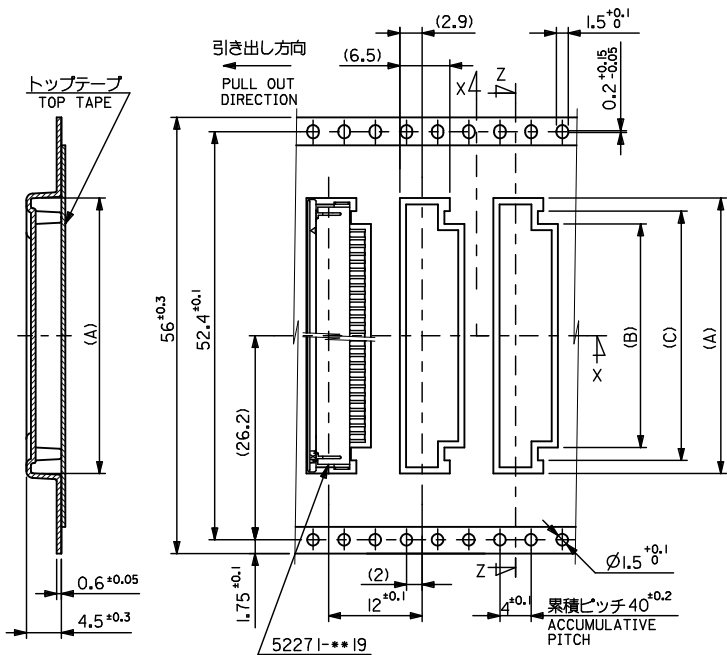


24	29.4	25.4	15	11.4	18.3	52271-1179	11
			14	10.4	17.3	-1079	10
			13	9.4	16.3	-0979	9
			12	8.4	15.3	-0879	8
			11	7.4	14.3	-0779	7
			10	6.4	13.3	-0679	6
			9	5.4	12.3	-0579	5
			8	4.4	11.3	52271-0479	4
			7	3.4	10.3		

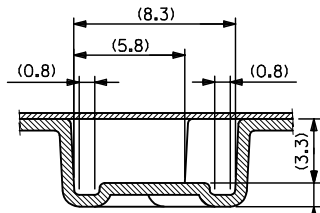
REVISED	DESCRIPTION	GENERAL TOLERANCES (UNLESS SPECIFIED)	DIMENSION STYLE	SCALE	DESIGN UNITS	THIRD ANGLE PROJECTION
EC NO: J2009-2061	2009/05/20	10 UNDER ±0.2	MM ONLY	---	METRIC	☉
DRW: KON	2009/05/21	10 OVER 30 UNDER ±0.25	DRAWN BY	DATE	TITLE	
CHK: H. MATSUMOTO	2009/05/21	30 OVER ±0.3	H. KAWABATA	2004/03/12	EMBOSSSED TAPE PACKAGE FOR 52271-**19 -LEAD FREE-	
APP: R. NIKITA	2009/05/21	ANGULAR ±3	CHECKED BY	DATE		
		DRAFT WHERE APPLICABLE MUST REMAIN WITHIN DIMENSIONS	K. TOJO	2004/03/12		
			APPROVED BY	DATE		
			M. SASAO	2004/03/12		
			MATERIAL NO.	DOCUMENT NO.		
			SEE TABLE	SD-52271-037		
			SIZE			
			A3			



10 9 8 7 6 5 4 3 2 1



SECT. Z-Z



SECT. X-X

56	61.4	57.4	34	30.4	37.35	52271-3079	30
			33	29.4	36.35	52271-2979	29
			32	28.4	35.35	52271-2879	28
キャリアテープ幅 CARRIER TAPE WIDTH	E	D	(C)	(B)	(A)	MATERIAL NO.	巻数 Ck.F.

ib\_frame\_A3\_J\_ME\_S  
Rev. E 2006/04/15

REVISED		GENERAL TOLERANCES (UNLESS SPECIFIED)		DIMENSION STYLE		SCALE		MODEL NO.		52271-**-79	
EC NO: J2009-2061	2009/05/20	10 UNDER	±0.2	MM ONLY	DATE	---	---	DESIGN UNITS	THIRD ANGLE PROJECTION		
DRAWN BY	H. KAWABATA	10 OVER 30 UNDER	±0.25	DRAWN BY		DATE		TITLE			
CHECKED BY	K. TOJO	30 OVER	±0.3	CHECKED BY		DATE		EMBOSSSED TAPE PACKAGE FOR 52271-**-19 -LEAD FREE-			
APPROVED BY	M. SASAO	ANGULAR	±3	APPROVED BY		DATE		MOLEX INCORPORATED			
MATERIAL NO.	SEE TABLE	DRAFT WHERE APPLICABLE MUST REMAIN WITHIN DIMENSIONS		MATERIAL NO.		DATE		DOCUMENT NO.		SD-52271-037	
SIZE	A3	THIS DRAWING CONTAINS INFORMATION THAT IS PROPRIETARY TO MOLEX INCORPORATED AND SHOULD NOT BE USED WITHOUT WRITTEN PERMISSION		MATERIAL NO.		DATE		DOCUMENT NO.		SHEET NO.	
										3 OF 3	

9 8 7 6 5 4 3 2 1 EN-02JA(021)