

PLEASE CHECK WWW.MOLEX.COM FOR LATEST PART INFORMATION

Part Number: **0539160808**
Status: **Active**
Overview: [slimstack_050mm_020_pitch](#)
Description: 0.50mm (.020") Pitch SlimStack™ Plug, Surface Mount, Dual Row, Vertical, 4.00mm (.157") Stack Height, without Solder Tabs, 80 Circuits, without Vacuum Pick-up Tape

Documents:

[3D Model](#) [Product Specification PS-54167-002 \(PDF\)](#)
[Drawing \(PDF\)](#) [RoHS Certificate of Compliance \(PDF\)](#)

General

Product Family PCB Headers
 Series 53916
 Application Board-to-Board
 Overview [slimstack_050mm_020_pitch](#)
 Product Name SlimStack™

Physical

Breakaway No
 Circuits (Loaded) 80
 Circuits (maximum) 80
 First Mate / Last Break No
 Glow-Wire Compliant No
 Guide to Mating Part No
 Keying to Mating Part None
 Lock to Mating Part None
 Mated Height (in) 0.157 In
 Mated Height (mm) 4.00 mm
 Material - Metal Brass
 Material - Plating Mating Gold
 Material - Plating Termination Gold
 Number of Rows 2
 Orientation Vertical
 PCB Locator No
 PCB Retention None
 Packaging Type Embossed Tape on Reel
 Pitch - Mating Interface (in) 0.020 In
 Pitch - Mating Interface (mm) 0.50 mm
 Plating min: Mating (µin) 10
 Plating min: Mating (µm) 0.25
 Plating min: Termination (µin) 4
 Plating min: Termination (µm) 0.1
 Polarized to PCB No
 Shrouded Fully
 Stackable No
 Temperature Range - Operating -40°C to +105°C
 Termination Interface: Style Surface Mount

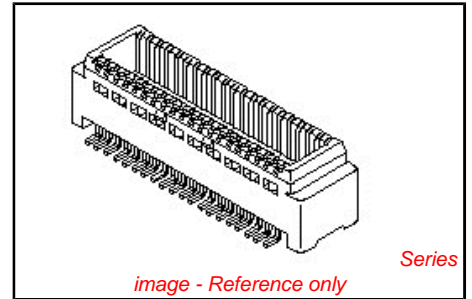
Electrical

Current - Maximum per Contact 0.5A
 Voltage - Maximum 50V

Material Info

Reference - Drawing Numbers

Product Specification PS-54167-002, RPS-52991-016
 Sales Drawing SD-53916-001, SD-53916-002



<p>EU RoHS ELV and RoHS Compliant REACH SVHC Not Reviewed Halogen-Free Status Halogen-Free</p>	<p>China RoHS</p>
--	--------------------------

Need more information on product environmental compliance?

Email productcompliance@molex.com
 For a multiple part number RoHS Certificate of Compliance, [click here](#)

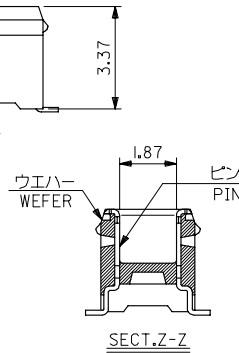
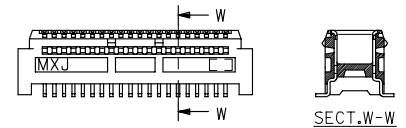
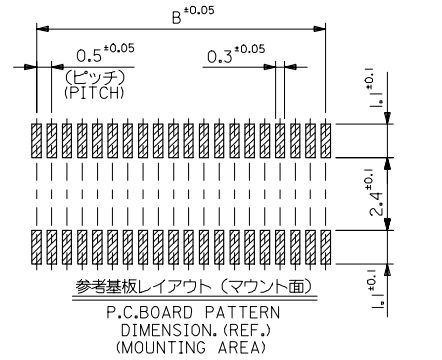
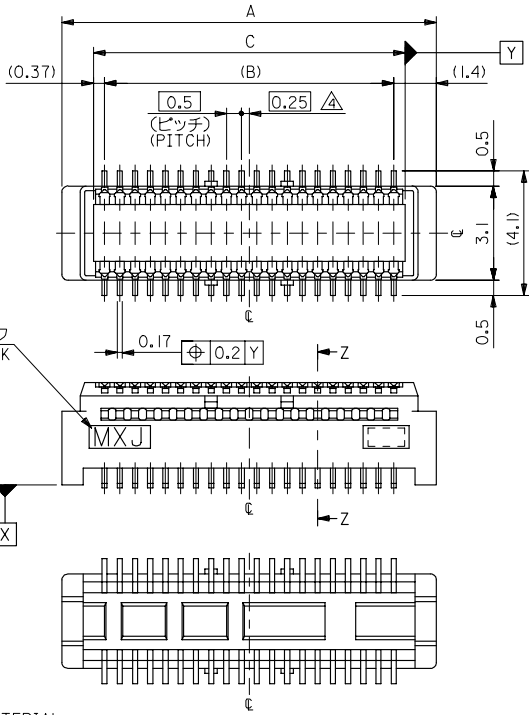
Please visit the [Contact Us](#) section for any non-product compliance questions.

Search Parts in this Series
[53916Series](#)

Mates With
[SlimStack™ Receptacle 52991](#) , [54167](#)

This document was generated on 05/26/2010

PLEASE CHECK WWW.MOLEX.COM FOR LATEST PART INFORMATION



60極品以上形状図
SHAPE OF OVER 60CKT.

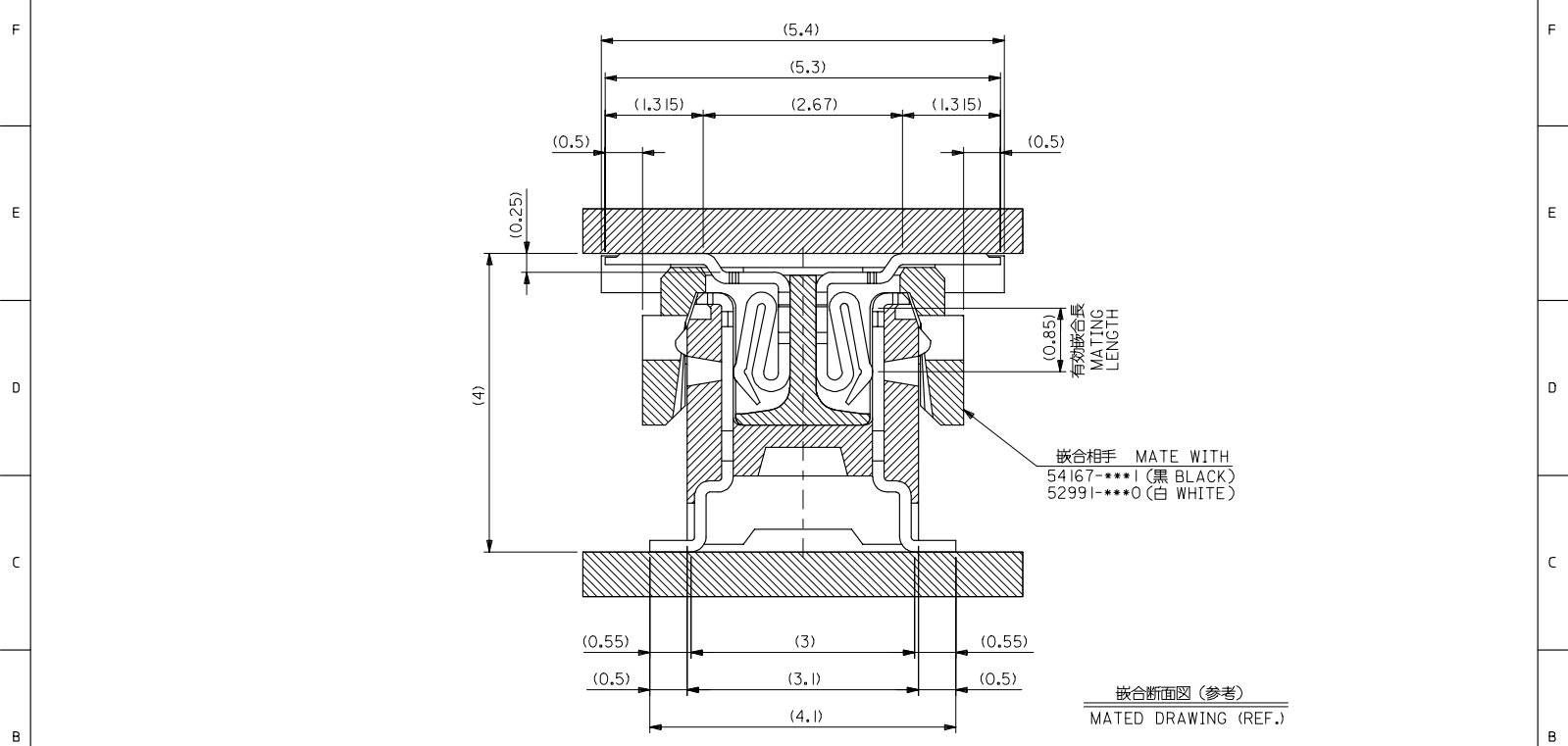
注記 NOTES:

1. 使用材料 MATERIAL
 ウエハー: LCPガラス入り (黒) UL94V-0
 WAFER: LCP(G.F.)(COLOR:BLACK),
 UL94V-0
 ピン: 黄銅 (t=0.15)
 PIN: BRASS (t=0.15)
 5 嵌合相手: 54167 シリーズ
 52991 シリーズ
 MATE WITH: 54167 SERIES.
 52991 SERIES.
 2. メッキ仕様 PLATING
 全体仕上げ: 金メッキ 0.1 MICROMETER MIN.
 ALL OVER: GOLD 0.1 MICROMETER MIN.
 下地メッキ: ニッケルメッキ 1.5 MICROMETER MIN.
 UNDER PLATING: NICKEL 1.5 MICROMETER MIN.
 3. 基準面 X からのソルダーテールの半田付け面のズレ量は、上方向 0、
 下方向 0.15MAX. とする。
 MISALIGNMENT OF SOLDER TAIL FROM X
 : UPPER DIRECTION 0, LOWER DIRECTION 0.15 MAX.
- △ (全極数/2) = 偶数の場合に適用。
 APPLY FOR (CIRCUIT/2)=EVEN.

53916-***1	MODEL NO.	C	B	A	MATERIAL NO.	極数 CIRCUIT
20.24	19.5	22.3	53916-0801	80		
17.74	17.0	19.8	-0701	70		
15.24	14.5	17.3	-0601	60		
12.74	12.0	14.8	-0501	50		
10.24	9.5	12.3	-0401	40		
7.74	7.0	9.8	-0301	30		
5.24	4.5	7.3	53916-0201	20		

REVISED EC NO: J2006-0604 2005/08/31 DRAWN BY DRUMANAIDA CHKCKT/YODA 2005/09/01 APPR: NUKITA 2005/09/09	DESCRIPTION	GENERAL TOLERANCES (UNLESS SPECIFIED)	DIMENSION STYLE MM ONLY	SCALE ---	DESIGN UNITS METRIC	THIRD ANGLE PROJECTION
		10 UNDER ±0.2	DRAWN BY S. AIHARA	DATE '96/11/28	TITLE 0.5 B/B CONN PLUG ASSY (W/O BOSS, W/O NAIL) -LEAD FREE-	
		10 OVER 30 UNDER ±0.25	CHECKED BY M. SASAO	DATE '01/12/26	MOLEX INCORPORATED	
		30 OVER ±0.3	APPROVED BY M. SASAO	DATE '01/12/26	DOCUMENT NO. SD-53916-001	
		ANGULAR ±3 °	MATERIAL NO. SEE CHART	SHEET NO. 1 OF 2		
		DRAFT WHERE APPLICABLE MUST REMAIN WITHIN DIMENSIONS	SIZE A3	THIS DRAWING CONTAINS INFORMATION THAT IS PROPRIETARY TO MOLEX INCORPORATED AND SHOULD NOT BE USED WITHOUT WRITTEN PERMISSION		

10 9 8 7 6 5 4 3 2 1



53916-***1 MODEL NO.

REVISED EC NO. J2006-0604 DRW:NAIDA 2005/08/31 CHK:KATOYODA 2005/09/01 APPR:NIKIITA 2005/09/09	GENERAL TOLERANCES (UNLESS SPECIFIED)		DIMENSION STYLE MM ONLY		SCALE ---	DESIGN UNITS METRIC	THIRD ANGLE PROJECTION
	10 UNDER	± ---	DRAWN BY S. AIHARA	DATE '96/11/28	TITLE 0.5 B/B CONN PLUG ASSY (W/O BOSS, W/O NAIL) -LEAD FREE-		
	10 OVER 30 UNDER	± ---	CHECKED BY M. SASAO	DATE '01/12/26			
	30 OVER	± ---	APPROVED BY M. SASAO	DATE '01/12/26	MOLEX INCORPORATED		
	ANGULAR	± --- °	MATERIAL NO. SEE CHART				
DRAFT WHERE APPLICABLE MUST REMAIN WITHIN DIMENSIONS		THIS DRAWING CONTAINS INFORMATION THAT IS PROPRIETARY TO MOLEX INCORPORATED AND SHOULD NOT BE USED WITHOUT WRITTEN PERMISSION					

tb_frame_A3_1_ME_S Rev. D 2004/04/02

9 8 7 6 5 4 3 2 1 EN-02JA(021)

10 9 8 7 6 5 4 3 2 1

F

E

D

C

B

A

F

E

D

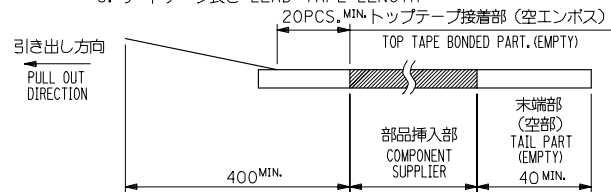
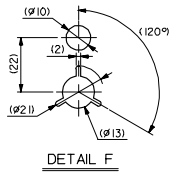
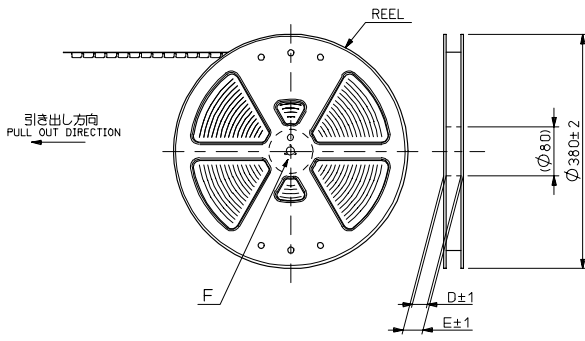
C

B

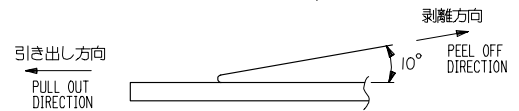
A

NOTES

- 製品詳細寸法については図面 SD-53916-001 を参照下さい。
RE DETAILED DIMENSION, SEE SD-53916-001
- 梱包数量：1500個/リール
NUMBER OF CONNECTORS：1500PCS/REEL
- リードテープ長さ LEAD TAPE LENGTH



- トップテープの剥離強度：0.1N~1.3N (10gf~130gf) (剥離方向は下図参照) 尚、本規格値は出荷時に適用。(但し、輸送時に剥離が発生しないこと。) PEELING OFF FORCE OF TOP TAPE；0.1N~1.3N (10gf~130gf) (PEELING DIRECTION AS SHOWN IN FOLLOWING FIG.) THIS REQUIREMENT SHOULD BE APPLIED AT SHIPMENT. PEEL OFF SHOULD NOT BE ALLOWED, DURING TRANSPORTATION.



- 材料(MATERIAL)
キャリアテープ(CARRIER TAPE)：ポリプロピレン(POLYPROPYLENE)
トップテープ(TOPTAPE)：PET, PE, PEF
リール(REEL)：ポリスチレン(P.S) <リサイクル材を含む>
POLYSTYREN(P.S) <RECYCLE MATERIAL CONTAINED>

53916-***8 MODEL NO.
THIRD ANGLE PROJECTION

REVISED IEC NO. J2006-0604 DRW:NAIDA 2005/08/31 CHK:KTOYODA 2005/09/01 APPR:NIKIITA 2005/09/09 G REV DESCRIPTION	GENERAL TOLERANCES (UNLESS SPECIFIED)		DIMENSION STYLE MM ONLY		SCALE ---	DESIGN UNITS METRIC	TITLE 0.5 B/B CONN PLUG ASSY EMBSTP PKG -LEAD FREE-		
	10 UNDER	±0.2	DRAWN BY S. AIHARA	DATE '96/11/27	MOLEX INCORPORATED DOCUMENT NO. SD-53916-002 SHEET NO. 1 OF 4				
	10 OVER 30 UNDER	±0.25	CHECKED BY T. ITO	DATE '01/01/26					
	30 OVER	±0.3	APPROVED BY M. FUKUSHIMA	DATE '01/01/26	THIS DRAWING CONTAINS INFORMATION THAT IS PROPRIETARY TO MOLEX INCORPORATED AND SHOULD NOT BE USED WITHOUT WRITTEN PERMISSION				
	ANGULAR	±3 °	MATERIAL NO. SEE CHART						
DRAFT WHERE APPLICABLE MUST REMAIN WITHIN DIMENSIONS			SIZE A3						

9

8

7

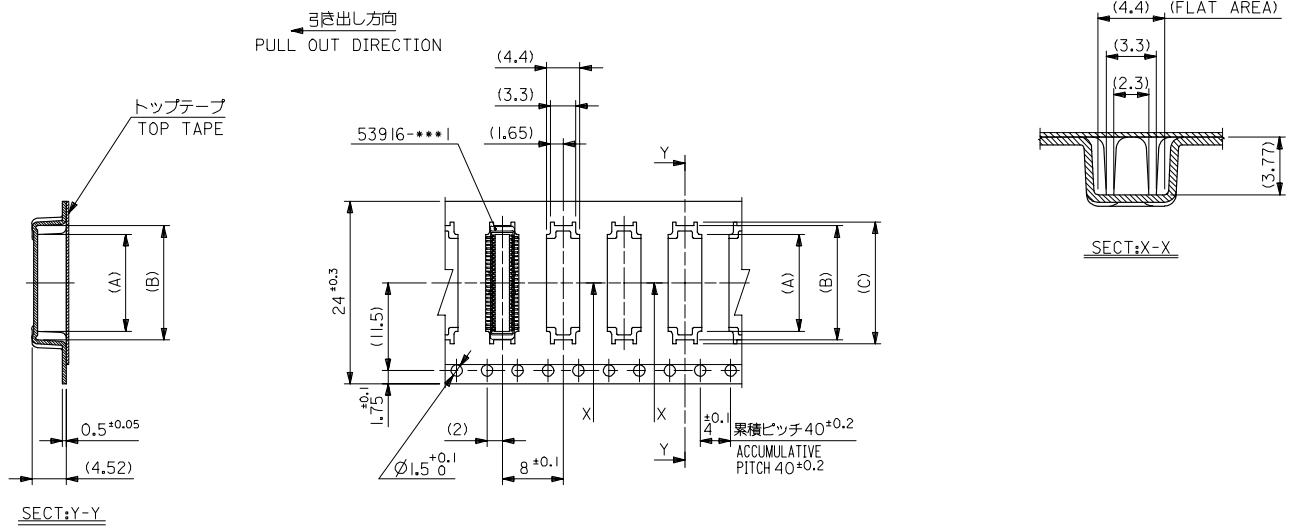
6

5

4

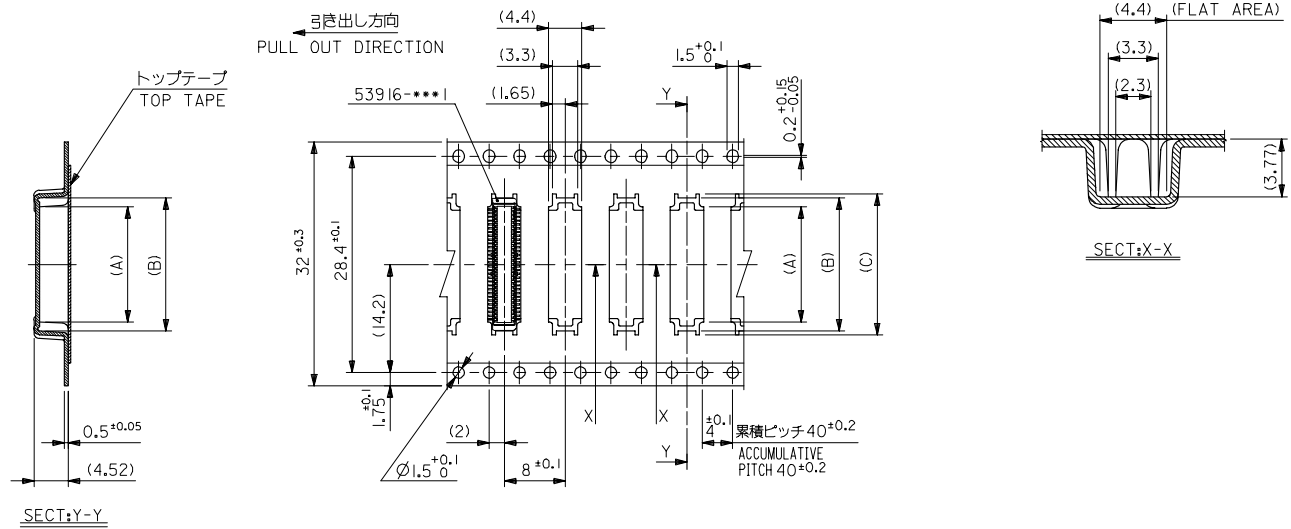
3

2



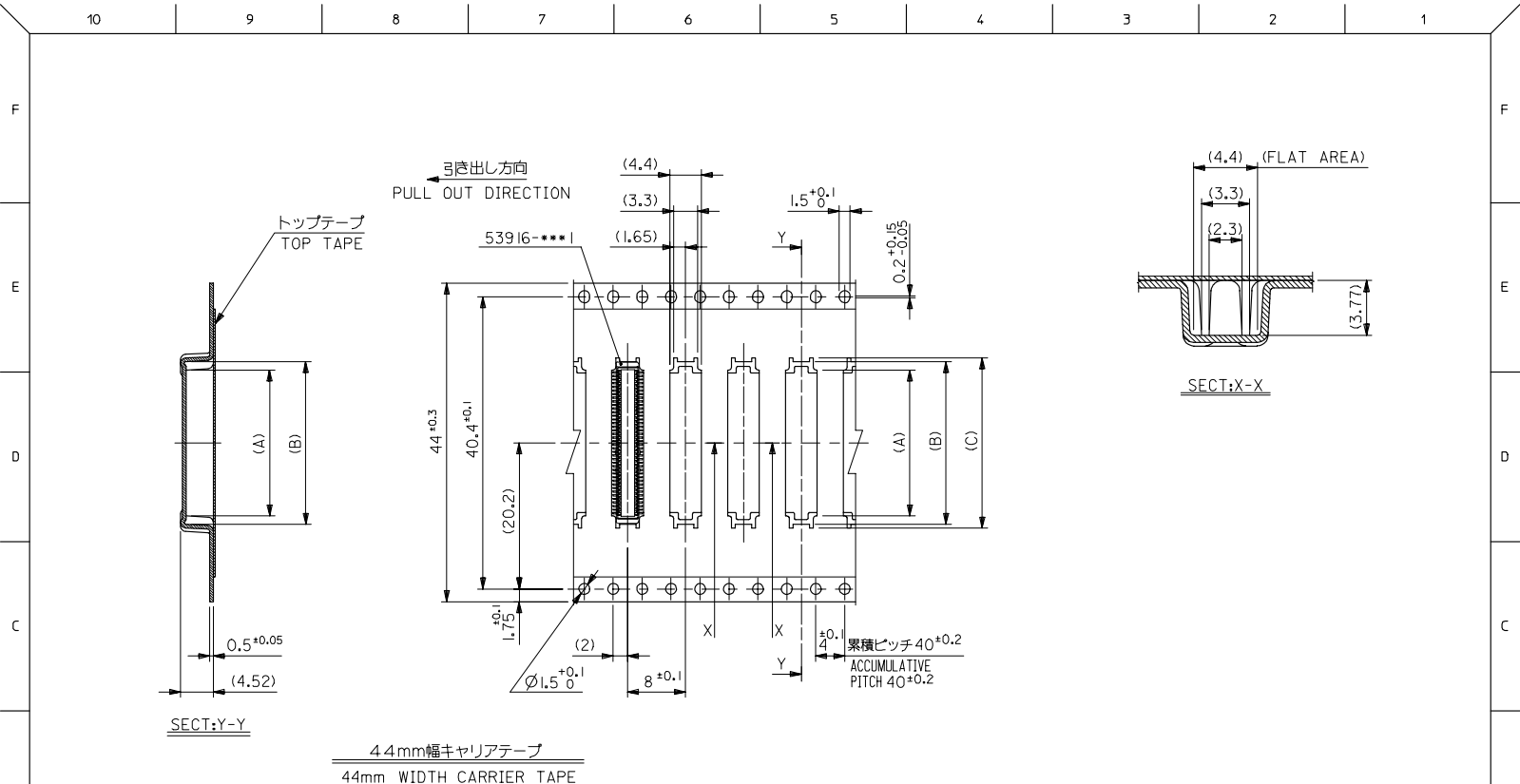
24mm幅キャリアテープ
24mm WIDTH CARRIER TAPE

REVISED EC NO. J2006-0604 DRAWN BY DR. NAITA CHKD BY CHIKAKI YODA APPR. BY NAKITA	DESCRIPTION 2005/08/31 2005/09/01 2005/09/09	53916-***8	MODEL NO.	キャリアテープ幅 CARRIER TAPE WIDTH	E	D	24	29.4	25.4	16	15	12.67	53916-0508	50			
		10 UNDER	± ---	DRAWN BY	S. AIHARA	DATE	'96/11/27	3.5	12.5	10.17	53916-0408	40					
		10 OVER 30 UNDER	± ---	CHECKED BY	T. ITO	DATE	'01/01/26	11	10	7.67	53916-0308	30					
		30 OVER	± ---	APPROVED BY	M. FUKUSHIMA	DATE	'01/01/26	8.5	7.5	5.17	53916-0208	20					
ANGULAR		± --- °	DRAFT WHERE APPLICABLE MUST REMAIN WITHIN DIMENSIONS		MATERIAL NO.		SEE CHART		DOCUMENT NO.		SD-53916-002		SHEET NO. 2 OF 4				
GENERAL TOLERANCES (UNLESS SPECIFIED)										DIMENSION STYLE MM ONLY		SCALE ---		DESIGN UNITS METRIC		THIRD ANGLE PROJECTION	
TITLE										0.5 B/B CONN PLUG ASSY EMBSTP PKG -LEAD FREE-							
MATERIAL NO.										MOLEX INCORPORATED							
SIZE A3										THIS DRAWING CONTAINS INFORMATION THAT IS PROPRIETARY TO MOLEX INCORPORATED AND SHOULD NOT BE USED WITHOUT WRITTEN PERMISSION							



32mm幅キャリアテープ
32mm WIDTH CARRIER TAPE

REVISED REV. NO. J2006-0604 DRAWN BY CHIKAKI YODA CHECKED BY T. ITO APPR. NUKITA 2005/08/31 2005/09/01 2005/09/09	53916-***8	MODEL NO.	32	37.4	33.4	18.5	17.5	15.17	53916-0608	60
	GENERAL TOLERANCES (UNLESS SPECIFIED)		DIMENSION STYLE MM ONLY		SCALE	DESIGN UNITS METRIC		THIRD ANGLE PROJECTION		
	10 UNDER	± ---	DRAWN BY T. YASUI		DATE '97/05/14	TITLE 0.5 B/B CONN PLUG ASSY EMBSTP PKG -LEAD FREE-				
	10 OVER 30 UNDER	± ---	CHECKED BY T. ITO		DATE '01/01/26	MOLEX INCORPORATED				
30 OVER	± ---	APPROVED BY M. FUKUSHIMA		DATE '01/01/26	MATERIAL NO.		DOCUMENT NO. SD-53916-002		SHEET NO. 3 OF 4	
ANGULAR	± --- °	DRAFT WHERE APPLICABLE MUST REMAIN WITHIN DIMENSIONS		SEE CHART		THIS DRAWING CONTAINS INFORMATION THAT IS PROPRIETARY TO MOLEX INCORPORATED AND SHOULD NOT BE USED WITHOUT WRITTEN PERMISSION				



44mm幅キャリアテープ
44mm WIDTH CARRIER TAPE

REVISED REV. NO. J2006-0604 EC NO. 2005/0813 DRAWN BY CHIKAKIYODA CHKDKIYODA 2005/09/01 APPR. NUKITA 2005/09/09	53916-***8	MODEL NO.	44	49.4	45.4	23.5	22.5	20.17	53916-0808	80
	GENERAL TOLERANCES (UNLESS SPECIFIED)		DIMENSION STYLE MM ONLY		SCALE ---	DESIGN UNITS METRIC		THIRD ANGLE PROJECTION		
	10 UNDER	± ---	DRAWN BY S. AIHARA		DATE '98/10/23	TITLE 0.5 B/B CONN PLUG ASSY EMBSTP PKG -LEAD FREE-				
	10 OVER 30 UNDER	± ---	CHECKED BY T. ITO		DATE '01/01/26	MOLEX INCORPORATED				
30 OVER	± ---	APPROVED BY M. FUKUSHIMA		DATE '01/01/26	MATERIAL NO.		DOCUMENT NO. SD-53916-002		SHEET NO. 4 OF 4	
ANGULAR	± --- °	DRAFT WHERE APPLICABLE MUST REMAIN WITHIN DIMENSIONS		SEE CHART		THIS DRAWING CONTAINS INFORMATION THAT IS PROPRIETARY TO MOLEX INCORPORATED AND SHOULD NOT BE USED WITHOUT WRITTEN PERMISSION				