

PLEASE CHECK WWW.MOLEX.COM FOR LATEST PART INFORMATION

Part Number: [0528081370](#)
Status: **Active**
Overview:
Description: 1.00mm (.039") Pitch FFC/FPC Connector, SMT, Vertical, Non-ZIF Receptacle, 13 Circuits, Lead-free

Agency Certification

UL E29179

General

Product Family FFC/FPC Connectors
 Series [52808](#)
 Overview [ffc_fpc_smt](#)
 Product Name N/A

Physical

Circuits (Loaded) 13
 Circuits (maximum) 13
 Color - Resin Natural
 Contact Position N/A
 Durability (mating cycles max) 10
 Entry Angle N/A
 Flammability 94V-0
 Mated Height (in) 0.199 In
 Mated Height (mm) 5.05 mm
 Material - Metal Phosphor Bronze
 Material - Plating Mating Tin-Bismuth
 Material - Plating Termination Tin-Bismuth
 Material - Resin High Temperature Thermoplastic
 Number of Rows 1
 Orientation Vertical
 PCB Locator No
 PCB Retention None
 Packaging Type Embossed Tape on Reel
 Pitch - Mating Interface (in) 0.039 In
 Pitch - Mating Interface (mm) 1.00 mm
 Pitch - Term. Interface (in) 0.039 In
 Pitch - Term. Interface (mm) 1.00 mm
 Plating min: Mating (µin) 40
 Plating min: Mating (µm) 1
 Plating min: Termination (µin) 40
 Plating min: Termination (µm) 1
 Polarized to PCB No
 Stackable No
 Surface Mount Compatible (SMC) Yes
 Temperature Range - Operating -20°C to +80°C
 Termination Interface: Style Surface Mount
 Wire/Cable Type FFC/FPC

Electrical

Current - Maximum per Contact 0.5A
 Voltage - Maximum 125V AC (RMS)/DC

Material Info

Reference - Drawing Numbers

Packaging Specification SPK-52808-001

EU RoHS
ELV and RoHS
Compliant
REACH SVHC
Contains SVHC: No
Halogen-Free
Status
Not Reviewed

China RoHS



Need more information on product environmental compliance?

Email productcompliance@molex.com
 For a multiple part number RoHS Certificate of Compliance, [click here](#)

Please visit the [Contact Us](#) section for any non-product compliance questions.

Search Parts in this Series
[52808Series](#)

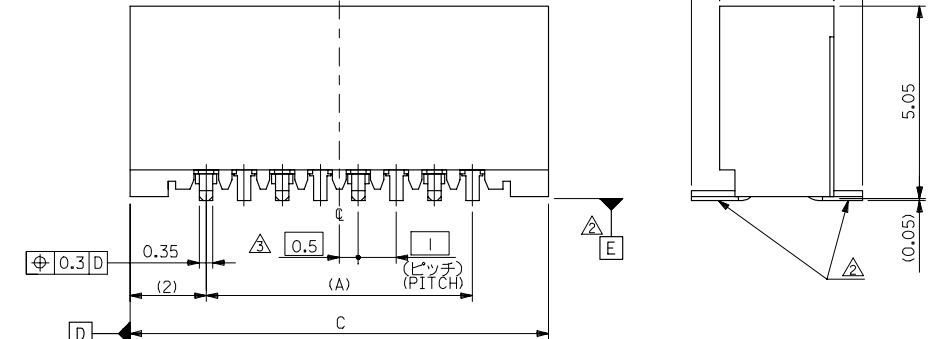
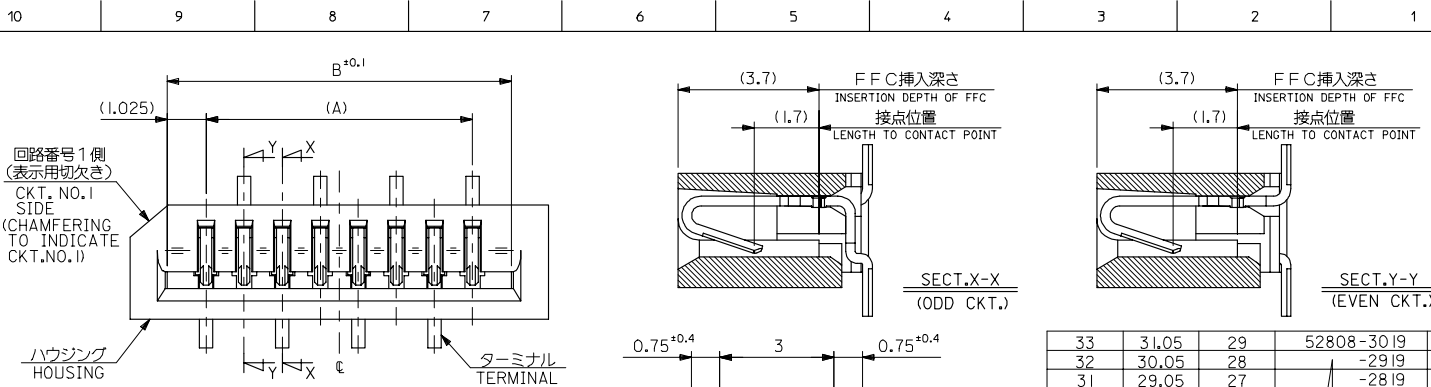
Product Specification

Sales Drawing

PS-52808-004, RPS-52808-039, RPS-52808-044,
RPS-52808-045, RPS-52808-047, RPS-52808-048,
RPS-52808-049
SD-52808-027, SD-52808-028

This document was generated on 06/05/2010

PLEASE CHECK WWW.MOLEX.COM FOR LATEST PART INFORMATION

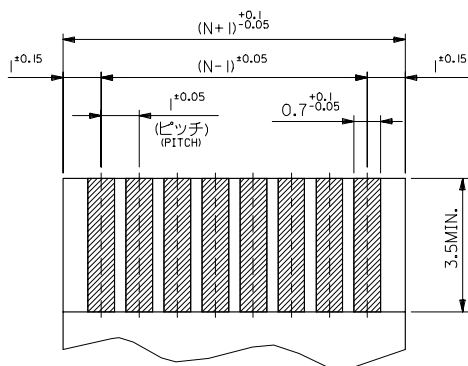


33	31.05	29	52808-3019	30
32	30.05	28	-2919	29
31	29.05	27	-2819	28
30	28.05	26	-2719	27
29	27.05	25	-2619	26
28	26.05	24	-2519	25
27	25.05	23	-2419	24
26	24.05	22	-2319	23
25	23.05	21	-2219	22
24	22.05	20	-2119	21
23	21.05	19	-2019	20
22	20.05	18	-1919	19
21	19.05	17	-1819	18
20	18.05	16	-1719	17
19	17.05	15	-1619	16
18	16.05	14	-1519	15
17	15.05	13	-1419	14
16	14.05	12	-1319	13
15	13.05	11	-1219	12
14	12.05	10	-1119	11
13	11.05	9	-1019	10
12	10.05	8	-0919	9
11	9.05	7	-0819	8
10	8.05	6	-0719	7
9	7.05	5	-0619	6
8	6.05	4	-0519	5
7	5.05	3	52808-0419	4

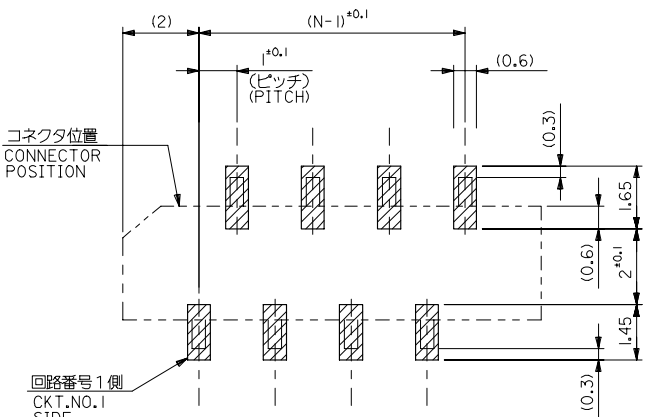
注記 NOTES:

1. 使用材料 MATERIAL
 ハウジング: PPS,UL94V-0 HOUSING :PPS,UL94V-0
 ターミナル: リン青銅 (t=0.25) TERMINAL :PHOSPHOR BRONZE
 メッキ: ニッケル下地鍍ヒスマスメッキ PLATING :TIN-BISMUTH OVER NICKEL
2. 基準面 [E] からのハンダテールの半田付け面のズレ量は、
 上方向に0.1MAX. 下方向0.15MAX. とする。
 MISALIGNMENT OF SOLDER TAIL FROM [E]
 : UPPER DIRECTION 0.1 MAX. , LOWER DIRECTION 0.15 MAX.
3. 偶数極に適用。
 APPLY FOR EVEN CKT.
4. 本製品は52808-***10の鉛フリー品である。
 THIS PRODUCT IS LEAD FREE OF 52808-***10

REVISED	EC NO. J2006-1497	2005/11/04	2005/11/07	2005/11/07	2005/11/11	GENERAL TOLERANCES (UNLESS SPECIFIED)	DIMENSION STYLE MM ONLY	SCALE ---	DESIGN UNITS METRIC	THIRD ANGLE PROJECTION
A	DRW: NABEI	CHK: KATOYODA	APP: NUKITA	DESCRIPTION	REV	10 UNDER ±0.2	DRAWN BY M. NABEI	DATE '04/02/19	TITLE 1.0 FFC CONN. NON ZIF SMT. ST. -LEAD FREE-	
						10 OVER 30 UNDER ±0.25	CHECKED BY M. SASAO	DATE '04/02/19		
						30 OVER ±0.3	APPROVED BY M. SASAO	DATE '04/02/19		
						ANGULAR ±3 °	MATERIAL NO.			
						DRAFT WHERE APPLICABLE MUST REMAIN WITHIN DIMENSIONS	SEE CHART		DOCUMENT NO. SD-52808-027	SHEET NO. 1 OF 1
							SIZE A3	THIS DRAWING CONTAINS INFORMATION THAT IS PROPRIETARY TO MOLEX INCORPORATED AND SHOULD NOT BE USED WITHOUT WRITTEN PERMISSION		



(仕上がり厚さ 0.3 ± 0.03)
THICKNESS
適合 FPC 推奨寸法
APPLICABLE FPC
RECOMMENDED DIMENSION.



参考基板レイアウト (マウント面)
RECOMMENDED P.C. BOARD
PATTERN DIMENSION. (REF.)
(MOUNTING AREA)

FPCについて:

- 打抜き方向は、導体側から補強板側を推奨いたします。
- 補強フィルム材質は、ポリイミドを推奨いたします。
- 接着剤は、熱硬化接着剤を推奨いたします。

ABOUT FPC:

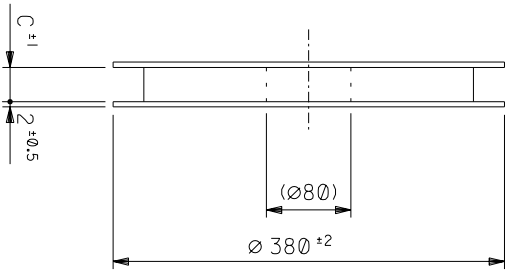
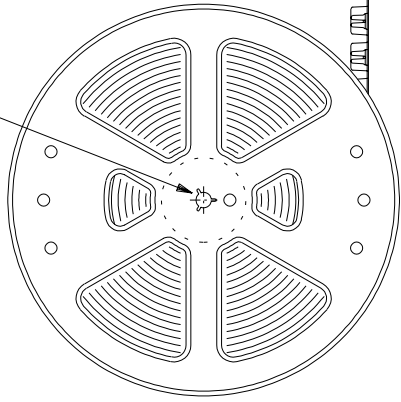
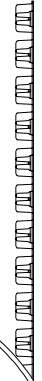
RECOMMENDED PUNCHER DIRECTION: FROM CONDUCTOR SIDE TO STIFFENER BOARD SIDE.

RECOMMENDED MATERIAL:

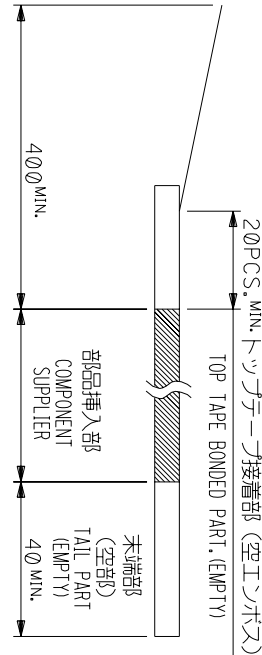
STIFFENER FILM: POLYIMIDE
BONDING AGENT: THERMOSETTING BONDING AGENT

REVISED EC NO. J2006-1497 DRAWN M.NABEI 2005/11/04 CHKD K.TOYODA 2005/11/07 APPR. NUKITA 2005/11/11	GENERAL TOLERANCES (UNLESS SPECIFIED)		DIMENSION STYLE MM ONLY		SCALE ---	DESIGN UNITS METRIC	THIRD ANGLE PROJECTION
	10 UNDER	± 0.2	DRAWN BY M.NABEI	DATE '04/02/19	TITLE 1.0 FFC CONN. NON ZIF SMT. ST. -LEAD FREE-		
	10 OVER 30 UNDER	± 0.25	CHECKED BY M.SASAO	DATE '04/02/19			
	30 OVER	± 0.3	APPROVED BY M.SASAO	DATE '04/02/19	MOLEX INCORPORATED		
ANGULAR	± 3 °	MATERIAL NO. SEE CHART		DOCUMENT NO. SD-52808-027	SHEET NO. 2 OF 2		
DRAFT WHERE APPLICABLE MUST REMAIN WITHIN DIMENSIONS		THIS DRAWING CONTAINS INFORMATION THAT IS PROPRIETARY TO MOLEX INCORPORATED AND SHOULD NOT BE USED WITHOUT WRITTEN PERMISSION					

引き出し方向
PULL OUT



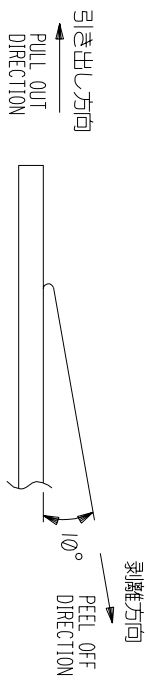
引き出し方向
PULL OUT DIRECTION



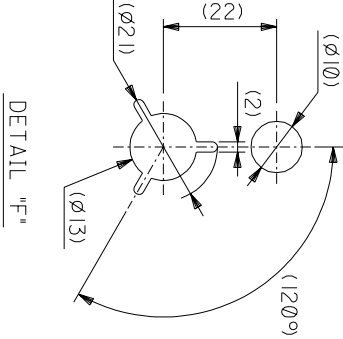
NOTES

1. 製品詳細寸法については図面 SD-52808-027 を参照下さい。
RE DETAILED DIMENSION, SEE SD-52808-027
2. 梱包数量: 1000個/リール
NUMBER OF CONNECTORS: 1000PCS/REEL
3. リードテープ長さ LEAD TAPE LENGTH
20PCS. MIN. トッパテープ接着部 (空エンプス)

4. トッパテープの剥離強度: 0.1 ~ 1.3N (10 ~ 130gf)
(剥離方向は下図参照)
尚、本規格値は出荷時に適用。(但し、輸送時に剥離が発生しないこと。)
PEELING OFF FORCE OF TOP TAPE: 0.1 ~ 1.3N (10 ~ 130gf)
(PEELING DIRECTION AS SHOWN IN FOLLOWING FIG.)
THIS REQUIREMENT SHOULD BE APPLIED AT SHIPMENT.
PEEL OFF SHOULD NOT BE ALLOWED, DURING TRANSPORTATION.



5. 材料(MATERIAL)
キャリアテープ(CARRIER TAPE): ポリプロピレン(POLYPROPYLENE)
トッパテープ(TOPTAPE): PET, PE, PEF
リール(REEL): ポリスチレン(PS) <リサイクル材を含む>
POLYSTYRENE(PS) RECYCLE MATERIAL CONTAINED>
6. 本製品は52808-**-90の鉛フリー品である。
THIS PRODUCT IS LEAD FREE OF 52808-**-90



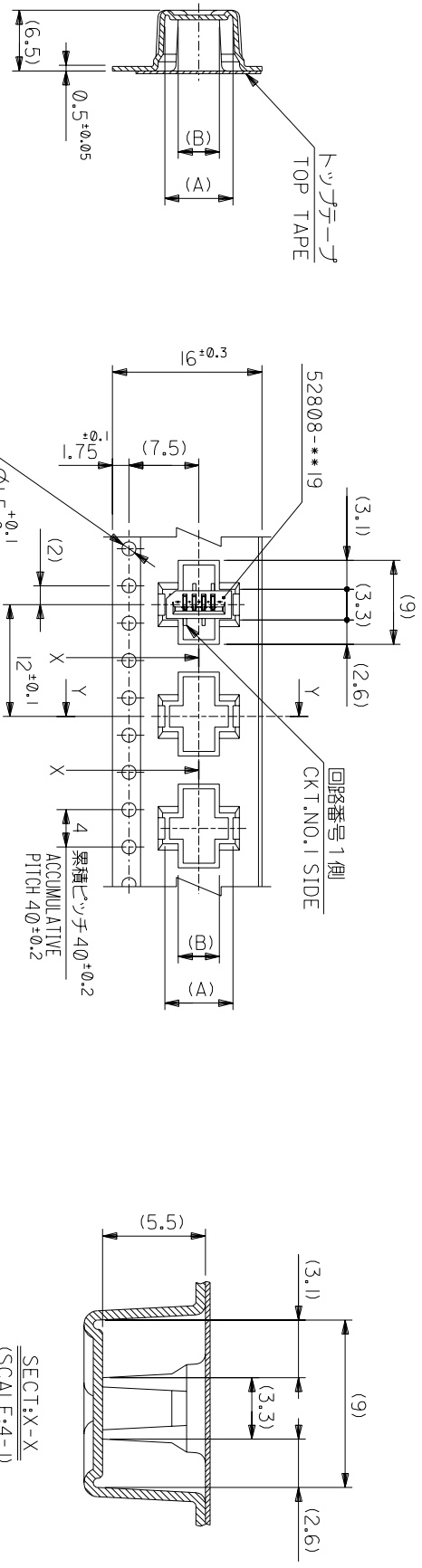
DETAIL "F"

角度 ANGLE	±3°
30以上	±0.3
10以下	±0.25
10未満	±0.2
10未満	±0.2

記号	0	0	0	0	0	0	0	0	0
TR	TR	TR	TR	TR	TR	TR	TR	TR	TR
REVISION RECORD	DR. CHK.	DATE	DATE	DATE	DATE	DATE	DATE	DATE	DATE
材料 MATERIAL	注記参照 SEE NOTES	仕上げ FINISH	#	適用電線範囲 WIRE RANGE	#	検査外径 INS. RANGE	#	材料 MOLEX-JAPAN CO.,LTD. MOLEX 日本モリス株式会社	REVISE ONLY ON CAD SYSTEM
DR. BY	W/M/2/9	CHK'D BY	W/M/2/9	APP'D BY	M/NABEI	SCALE	#	TITLE 名称	I.Ø FCC Conn NON ZIF SMT ST Embstd PKG -LEAD FREE-
DR. DATE	W/M/2/9	CHK'D DATE	W/M/2/9	APP'D DATE	M/SASAO	SCALE	#	DWG. NO.	SD-52808-028
DR. DATE	W/M/2/9	CHK'D DATE	W/M/2/9	APP'D DATE	M/SASAO	SCALE	#	(SHEET 1 OF 6) REV	0

52808-**-70
MODEL NO.

THIS DRAWING CONTAINS INFORMATION THAT IS PROPRIETARY TO MOLEX/JAPAN AND SHOULD NOT BE USED WITHOUT WRITTEN PERMISSION
本図面は日本モリス(株)の所有する権利を有するため 当社の許可なく複製を禁止する。



16mm幅キヤリヤテープ
16mm WIDTH CARRIER TAPE

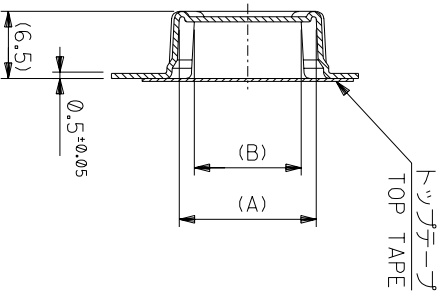
角度 ANGLE	3°
30以上	10.2
10以下	14.25
未決	14.25
10 UNDER	14.2
未決	14.2
10 UNDER	14.2

記号	0	新規作成	(12/04/2528)
変更内容		変更内容	
DR-CHK.		DATE	
DR-CHK.		DATE	
DR-CHK.		DATE	
DR-CHK.		DATE	
DR-CHK.		DATE	
DR-CHK.		DATE	
DR-CHK.		DATE	
DR-CHK.		DATE	
DR-CHK.		DATE	

MODEL NO.	52808-**-70	16	17.5	5.4	8.3	52808-0570	5
CARRIER TAPE WIDTH				4.4	7.3	52808-0470	4
MATERIAL NO.							

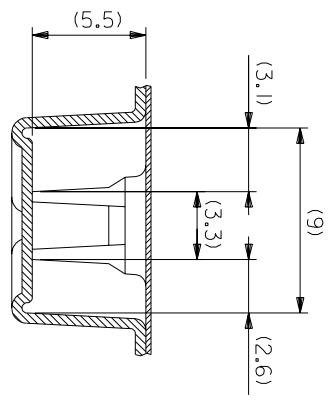
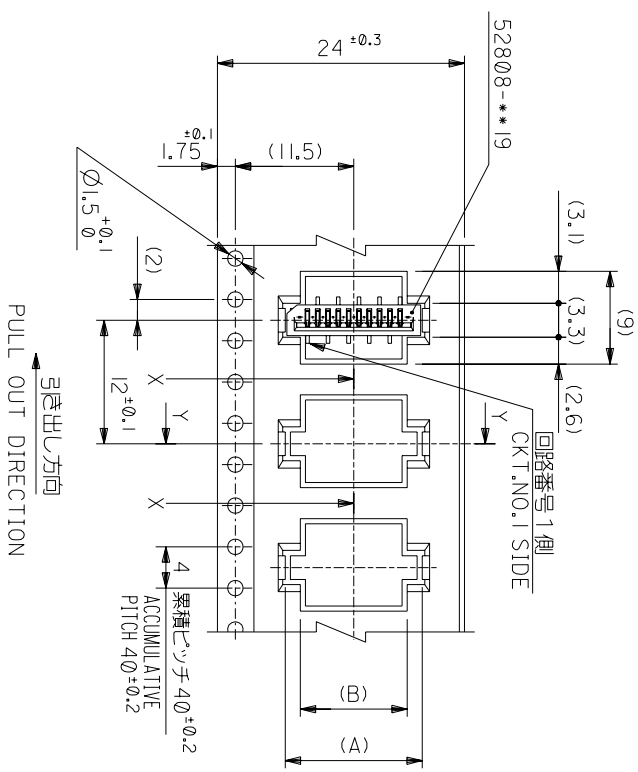
材料	モレックス
MATERIAL	MOLEX
SHEET 1 OF 6 参照	REFER TO SHEET 1 OF 6
仕上げ	—#—
FINISH	—#—
適用電線範囲	—#—
WIRE RANGE	—#—
標準外径	—#—
INS. RANGE	—#—
DRAWN BY	M/NABEI
CHK'D BY	M.SASAO
尺	1/2
SCALE	—#—
DWG. NO.	SD-52808-028
(SHEET 2 OF 6)	REV
0	0

THIS DRAWING CONTAINS INFORMATION THAT IS PROPRIETARY TO MOLEX (JAPAN) AND SHOULD NOT BE USED WITHOUT WRITTEN PERMISSION FROM MOLEX (JAPAN).
本図面は日本モレックス(株)の所有する情報を含むもので、当社の許可なく複製を禁止する。



SECT:Y-Y

24mm幅キヤリヤテープ
24mm WIDTH CARRIER TAPE



SECT:X-X
(SCALE:4-1)

角度 ANGLE	±3°
30 以上	±3°
10 以下	±4.25
10 以下	±0.2
10 以下	±0.2

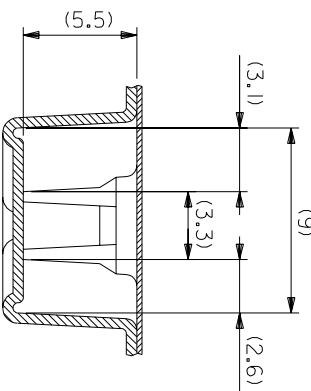
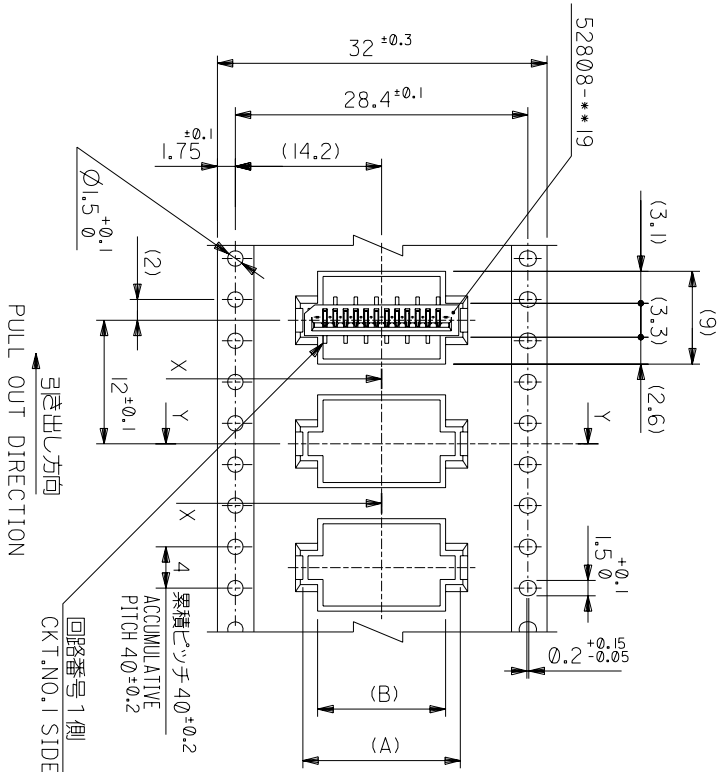
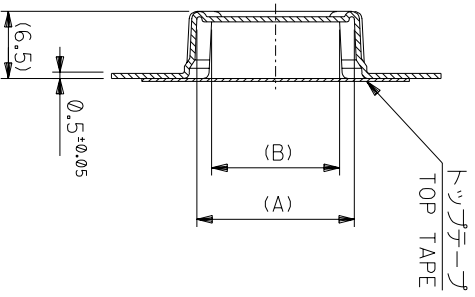
記号	新規作成 (2004-2528)	DR	MAN
TR	変更内容	CHK	M.S
REVISION RECORD		DATE	

MODEL NO.	52808-**70	CARRIER TAPE WIDTH	C	(B)	(A)	MATERIAL NO.	種数
	24		25.5	10.4	13.3	52808-1070	10
				9.4	12.3	52808-0970	9
				8.4	11.3	52808-0870	8
				7.4	10.3	52808-0770	7
				6.4	9.3	52808-0670	6

材料 MATERIAL SHEET 1 OF 6 参照 REFER TO SHEET 1 OF 6
仕上り FINISH #
適用電線範囲 WIRE RANGE #
検査外径 INS. RANGE #
DRAWN BY 04/02/19 CHK'D BY 04/02/19
M.NABEY M.SASAO
APP'D BY M.SASAO SCALE #
M.SASAO

REVISE ONLY ON CAD SYSTEM
TITLE 名称
1.0 FCC Conn NON ZIF
SMT ST Embstd PKG
-LEAD FREE-
DWG. NO. SD-52808-028 (SHEET 3 OF 6)
REV 0

THIS DRAWING CONTAINS INFORMATION THAT IS PROPRIETARY TO MOLEX(JAPAN) AND SHOULD NOT BE USED WITHOUT WRITTEN PERMISSION
本図面は日本モリス(株)の所有する情報を含むもので 当社の許可なく複製を禁止する。
EN-01C10321MXJ-32



32mm幅キリリテープ
32mm WIDTH CARRIER TAPE

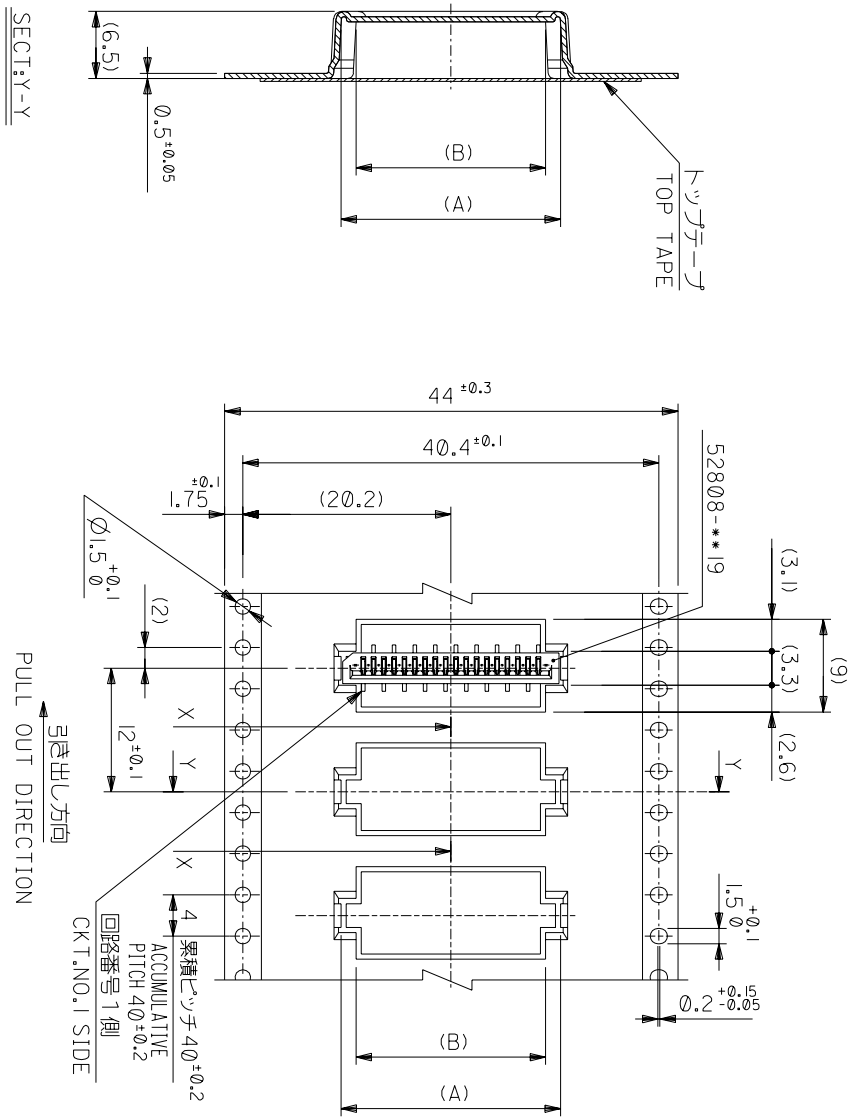
MODEL NO.	キャリアテープ幅 CARRIER TAPE WIDTH	C	(B)	(A)	種数 CKT.
52808-**-70	32	33.5	15.4	18.3	15
			14.4	17.3	14
			13.4	16.3	13
			12.4	15.3	12
			11.4	14.3	11

材料 MATERIAL	SHEET 1 OF 6 参照 REFER TO SHEET 1 OF 6	MOLEX-JAPAN CO.,LTD. 日本モリス株式会社
仕上げ FINISH	—#—	REVISE ONLY ON CAD SYSTEM
適用電線範囲 WIRE RANGE	—#—	
検査外径 INS. RANGE	—#—	
DRAWN BY	CHK'D BY	TITLE 名称
M.NABEJI	M.SASAO	I.0 FFC Conn NON ZIF SMT ST Embstp. PKg -LEAD FREE-
APP'D BY	SCALE	DWG. NO.
M.SASAO	—#—	SD-52808-028
		(SHEET 4 OF 6) REV
		0

角度 ANGLE	±3°
30以上	±0.2
10以下	±0.25
10以下	±0.2
10以下	±0.2

記号	新規作成	変更内容	DR	DATE
0	(12004-2528)		M.S	19/02/09
0	REVISION		CHK.	

THIS DRAWING CONTAINS INFORMATION THAT IS PROPRIETARY TO MOLEX(JAPAN) AND SHOULD NOT BE USED WITHOUT WRITTEN PERMISSION
本図面は日本モリス(株)の所有する情報を含むもので 当社の許可なく複製を禁止する。

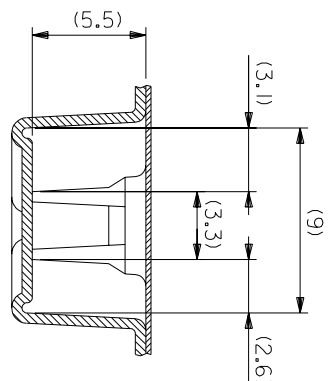


44mm幅キャリアテープ
44mm WIDTH CARRIER TAPE

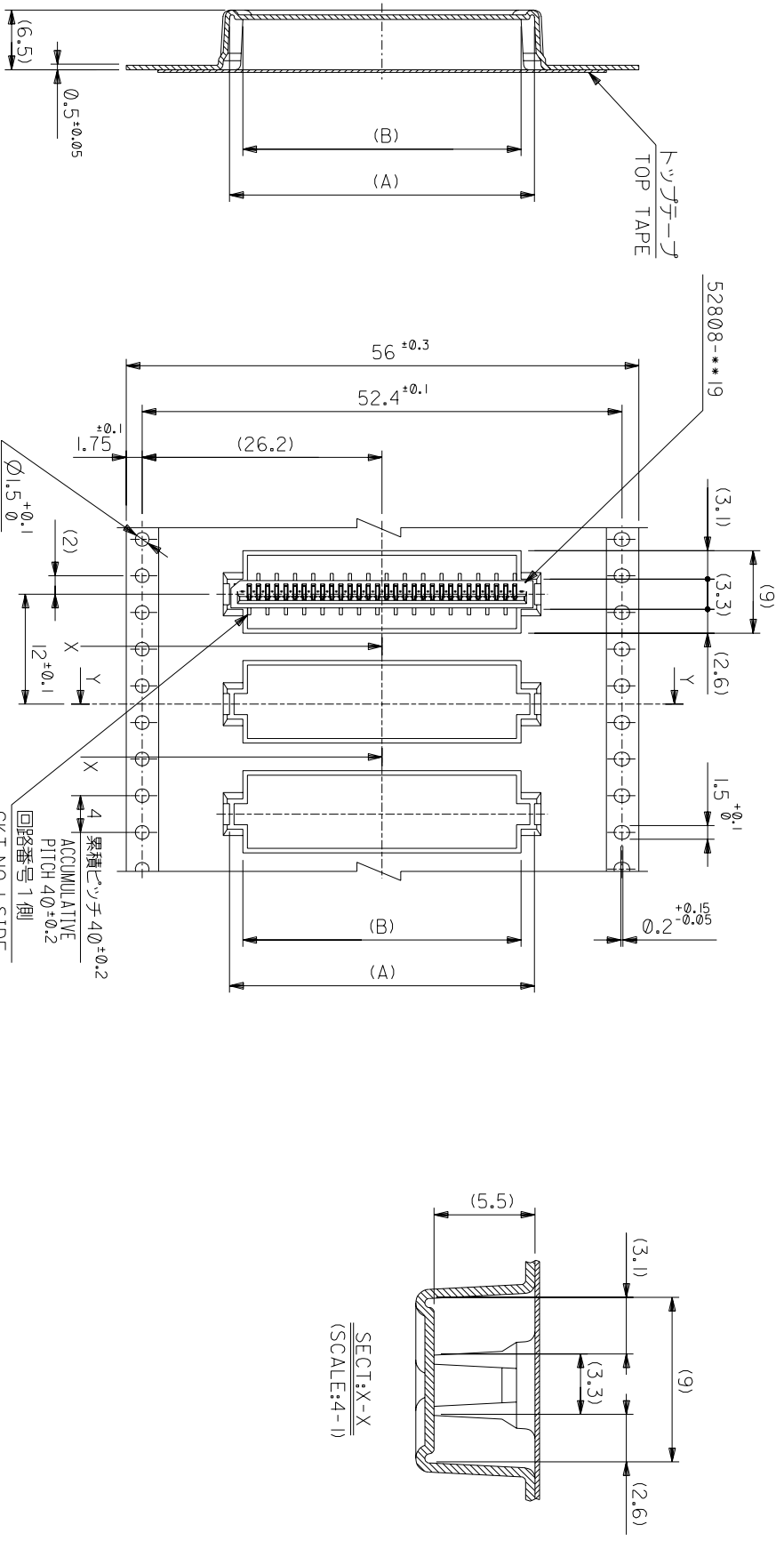
角度 ANGLE	$\leq 3^\circ$
30以上	未達
10以下	未達
10 UNDER	未達
30 UNDER	未達
GENERAL TOLERANCES	
角公差	± 0.2
寸公差	± 0.2
穴公差	± 0.2

記号	0	0	0	0	0
TR	TR	TR	TR	TR	TR
REVISION RECORD	0	0	0	0	0
DATE	0	0	0	0	0
DR. / CHK.	DR. / CHK.	DR. / CHK.	DR. / CHK.	DR. / CHK.	DR. / CHK.
DATE	DATE	DATE	DATE	DATE	DATE
APP'D BY	APP'D BY	APP'D BY	APP'D BY	APP'D BY	APP'D BY
SCALE	SCALE	SCALE	SCALE	SCALE	SCALE
DWG. NO.	SD-52808-028	DWG. NO.	SD-52808-028	DWG. NO.	SD-52808-028
REV	0	REV	0	REV	0

MODEL NO.	52808-**-70	CARRIER TAPE WIDTH	44	(A)	16.4	17.4	18.4	19.4	20.4	21.4	22.4	23.4	24.4	25.4	26.4	27.4	28.4
MATERIAL NO.		MATERIAL NO.	45.5	(A)	16.4	17.4	18.4	19.4	20.4	21.4	22.4	23.4	24.4	25.4	26.4	27.4	28.4
積層ピッチ	40 ±0.2	積層ピッチ	40 ±0.2	(A)	16.4	17.4	18.4	19.4	20.4	21.4	22.4	23.4	24.4	25.4	26.4	27.4	28.4
回路番号	1側	回路番号	1側	(A)	16.4	17.4	18.4	19.4	20.4	21.4	22.4	23.4	24.4	25.4	26.4	27.4	28.4
材料	参照	材料	参照	(A)	16.4	17.4	18.4	19.4	20.4	21.4	22.4	23.4	24.4	25.4	26.4	27.4	28.4
仕上り	参照	仕上り	参照	(A)	16.4	17.4	18.4	19.4	20.4	21.4	22.4	23.4	24.4	25.4	26.4	27.4	28.4
適用電線範囲	参照	適用電線範囲	参照	(A)	16.4	17.4	18.4	19.4	20.4	21.4	22.4	23.4	24.4	25.4	26.4	27.4	28.4
検査外径	参照	検査外径	参照	(A)	16.4	17.4	18.4	19.4	20.4	21.4	22.4	23.4	24.4	25.4	26.4	27.4	28.4
INS. RANGE	参照	INS. RANGE	参照	(A)	16.4	17.4	18.4	19.4	20.4	21.4	22.4	23.4	24.4	25.4	26.4	27.4	28.4
DRAWN BY	0	DRAWN BY	0	(A)	16.4	17.4	18.4	19.4	20.4	21.4	22.4	23.4	24.4	25.4	26.4	27.4	28.4
CHK'D BY	0	CHK'D BY	0	(A)	16.4	17.4	18.4	19.4	20.4	21.4	22.4	23.4	24.4	25.4	26.4	27.4	28.4
INS. RANGE	参照	INS. RANGE	参照	(A)	16.4	17.4	18.4	19.4	20.4	21.4	22.4	23.4	24.4	25.4	26.4	27.4	28.4
APP'D BY	0	APP'D BY	0	(A)	16.4	17.4	18.4	19.4	20.4	21.4	22.4	23.4	24.4	25.4	26.4	27.4	28.4
SCALE	参照	SCALE	参照	(A)	16.4	17.4	18.4	19.4	20.4	21.4	22.4	23.4	24.4	25.4	26.4	27.4	28.4
DWG. NO.	SD-52808-028	DWG. NO.	SD-52808-028	(A)	16.4	17.4	18.4	19.4	20.4	21.4	22.4	23.4	24.4	25.4	26.4	27.4	28.4
REV	0	REV	0	(A)	16.4	17.4	18.4	19.4	20.4	21.4	22.4	23.4	24.4	25.4	26.4	27.4	28.4



THIS DRAWING CONTAINS INFORMATION THAT IS PROPRIETARY TO MOLEX(JAPAN) AND SHOULD NOT BE USED WITHOUT WRITTEN PERMISSION. 本図面は日本モリス(株)の所有する情報を含むもので 当社の許可なく複製を禁止する。



SECT.Y-Y

56mm幅キャリアテープ
56mm WIDTH CARRIER TAPE

52808-***70	MODEL NO.	56	57.5	30.4	29.4	33.3	32.3	52808-3070	52808-2970	30	29
		キャリアテープ幅 CARRIER TAPE WIDTH	C	(B)	(B)	(A)	(A)	MATERIAL NO.		種数 CKT.	

角度 ANGLE	3°
30以上	1.5
10以下	1.25
未通	1.25
30 UNDER	0.2
10 UNDER	0.2

材料 MATERIAL SHEET 1OF 6 参照 REFERR TO SHEET 1OF 6
仕上げ FINISH #
適用電線範囲 適用電線範囲 #
標準外径 標準外径 #
INS. RANGE #
DRAWN BY 04/02/19 CHK'D BY 04/02/19
M.NABEI M.SASAO
APP'D BY 04/02/19 M.SASAO
REVISED 12/04/25(28) 変更内容
DR. 0 GENERAL T/R

REVISION RECORD
DR. CHK. DATE
M.NABEI 04/02/19
M.SASAO 04/02/19

角度 ANGLE	3°
30以上	1.5
10以下	1.25
未通	1.25
30 UNDER	0.2
10 UNDER	0.2
一般公差	
GENERAL TOLERANCES	

THIS DRAWING CONTAINS INFORMATION THAT IS PROPRIETARY TO MOLEX(JAPAN) AND SHOULD NOT BE USED WITHOUT WRITTEN PERMISSION
本図面は日本モロックス(株)の所有する情報を含みますので当社の許可なく複製を禁止する。