

**PLEASE CHECK WWW.MOLEX.COM FOR LATEST PART INFORMATION**

**Part Number:** [5019203001](#)  
**Status:** **Active**  
**Overview:** [slimstack\\_050mm\\_020\\_pitch](#)  
**Description:** 0.50mm (.020") Pitch SlimStack™ Board-to-Board Plug, SMT, Dual Row, Vertical Stacking, 4.00mm (.157") Stack Height, Without Solder Tabs, 30 Circuits

**Documents:**

[3D Model](#) [Product Specification PS-52991-008 \(PDF\)](#)  
[Drawing \(PDF\)](#) [RoHS Certificate of Compliance \(PDF\)](#)

**General**

Product Family	PCB Headers
Series	<a href="#">501920</a>
Application	Board-to-Board
Overview	<a href="#">slimstack_050mm_020_pitch</a>
Product Name	SlimStack™

**Physical**

Breakaway	No
Circuits (Loaded)	30
Color - Resin	Black
Durability (mating cycles max)	30
Glow-Wire Compliant	No
Guide to Mating Part	No
Keying to Mating Part	None
Lock to Mating Part	None
Mated Height (in)	0.157 In
Mated Height (mm)	4.00 mm
Material - Metal	Copper Alloy
Material - Plating Mating	Gold
Material - Plating Termination	Tin
Number of Rows	2
Orientation	Vertical
PCB Locator	No
PCB Retention	None
Packaging Type	Embossed Tape on Reel
Pitch - Mating Interface (in)	0.020 In
Pitch - Mating Interface (mm)	0.50 mm
Polarized to Mating Part	No
Polarized to PCB	No
Stackable	No
Surface Mount Compatible (SMC)	Yes
Temperature Range - Operating	-40°C to +105°C
Termination Interface: Style	Surface Mount

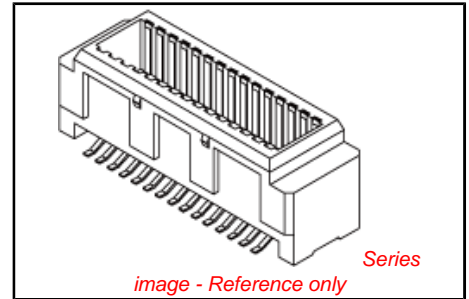
**Electrical**

Current - Maximum per Contact	0.5A
Voltage - Maximum	50V AC (RMS)/DC

**Material Info**

**Reference - Drawing Numbers**

Product Specification	PS-52991-008, RPS-52991-015
Sales Drawing	SD-501920-001, SD-501920-002



**EU RoHS**

**ELV and RoHS Compliant**

**REACH SVHC**

Not Reviewed

**Halogen-Free**

**Status**

**Not Reviewed**

**Need more information on product environmental compliance?**

Email [productcompliance@molex.com](mailto:productcompliance@molex.com)  
 For a multiple part number RoHS Certificate of Compliance, [click here](#)

Please visit the [Contact Us](#) section for any non-product compliance questions.

**China RoHS**

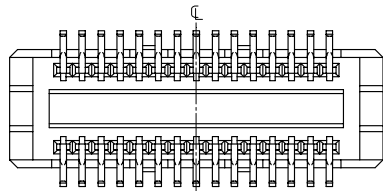
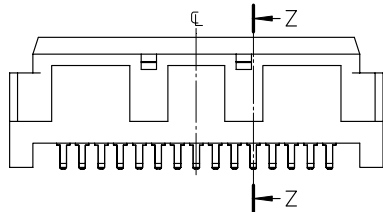
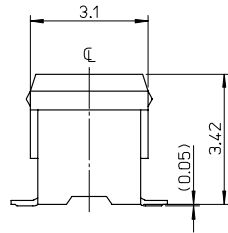
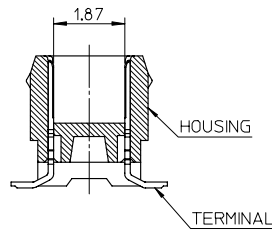
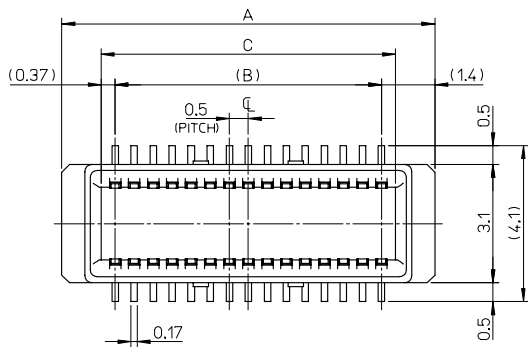


**Search Parts in this Series**  
[501920Series](#)

**Mates With**  
[SlimStack™ Receptacle 52991](#) , [54167](#)

This document was generated on 05/26/2010

**PLEASE CHECK [WWW.MOLEX.COM](http://WWW.MOLEX.COM) FOR LATEST PART INFORMATION**

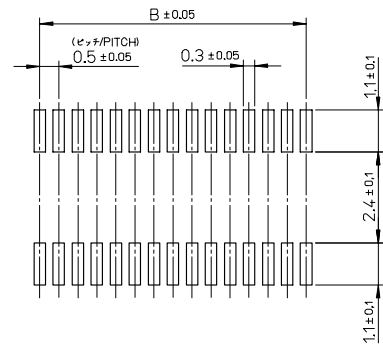
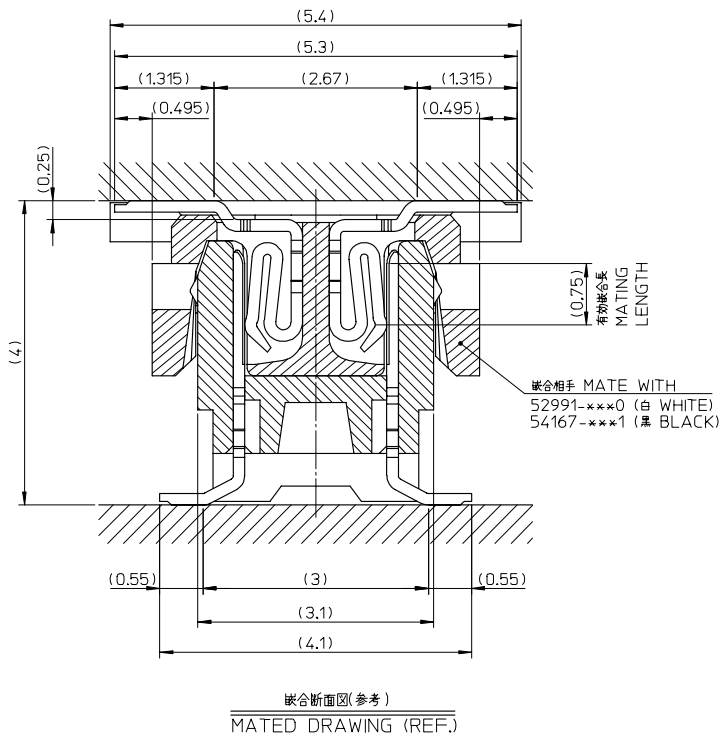


**NOTES**

- 1.材料  
MATERIAL  
ハウジング: LCP(液晶ポリマー)、ガラス充填、黒色、UL94V-0  
HOUSING: GLASS FILLED LIQUID CRYSTAL POLYMER, BLACK, UL94V-0  
ターミナル: 銅合金 (t=0.15)  
TERMINAL: COPPER ALLOY (t=0.15)
- 2.メッキ仕様  
PLATING  
ターミナル  
TERMINAL  
接点部: 金メッキ  
CONTACT AREA: GOLD  
半田付け部: 銅メッキ  
SOLDER TAIL AREA: TIN  
下地メッキ: ニッケルメッキ  
UNDER PLATING: NICKEL
- 3.テール平面度: 0.1 MAX.  
COPLANARITY: 0.1 MAXIMUM
4. ELV AND RoHS COMPLIANT.

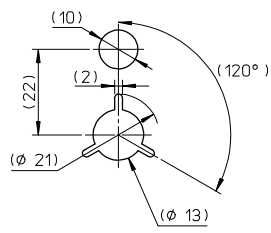
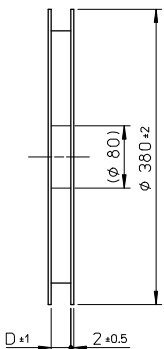
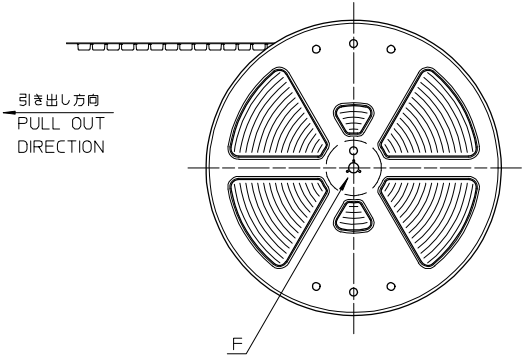
10.24	9.5	12.3	501920-4001	501920-4009	40
7.74	7.0	9.8	501920-3001	501920-3009	30
C	B	A	エンボス梱包 EMBOSSED TAPE PACKAGING	製品番号 MATERIAL NO.	CIRCUIT

REVISED EC NO: J2007-3102 2007/05/24 DRWN: YAOYAGI CHKD: M. SOGAYA 2007/05/25 APPR: NUKITA 2007/05/25	GENERAL TOLERANCES (UNLESS SPECIFIED)		DIMENSION STYLE MM ONLY		SCALE 10:1	DESIGN UNITS METRIC	MODEL NO. 501920-**09	THIRD ANGLE PROJECTION
	10 UNDER	±0.2	DRAWN BY M. ISOGAYA	DATE 2005/08/17	TITLE 0.5 PITCH B/B CONN. PLUG HSG ASSY			
	10 OVER 30 UNDER	±0.25	CHECKED BY T. HIRATA	DATE 2005/08/17				
	30 OVER	±0.3	APPROVED BY M. SASAO	DATE 2005/08/17				
ANGULAR	±1 °	MATERIAL NO.		DOCUMENT NO. SD-501920-001		SHEET NO. 1 OF 2		
DRAFT WHERE APPLICABLE MUST REMAIN WITHIN DIMENSIONS		SEE TABLE		THIS DRAWING CONTAINS INFORMATION THAT IS PROPRIETARY TO MOLEX INCORPORATED AND SHOULD NOT BE USED WITHOUT WRITTEN PERMISSION				



REVISED EC NO. J2007-3102 2007/05/24 DRAWN: YAOYAGI CHKD: M. ISOGAYA APPR: NUKITA 2007/05/25 2007/05/25	GENERAL TOLERANCES (UNLESS SPECIFIED)		DIMENSION STYLE MM ONLY		501920-***09 SCALE 20:1		MODEL NO.			
	10 UNDER	± 0.2	DRAWN BY	DATE	DESIGN UNITS	THIRD ANGLE PROJECTION				
	10 OVER 30 UNDER	± 0.25	M. ISOGAYA	2005/08/17	METRIC	0.5 PITCH B/B CONN. PLUG HSG ASSY				
	30 OVER	± 0.3	CHECKED BY	DATE	MOLEX INCORPORATED					
ANGULAR	± 1 °	T. HIRATA	2005/08/17							
DRAFT WHERE APPLICABLE MUST REMAIN WITHIN DIMENSIONS			APPROVED BY		MATERIAL NO.		DOCUMENT NO.			
			M. SASAO		SEE SHEET 1		SD-501920-001			
			DATE		SIZE		SHEET NO.			
			2005/08/17		A3		2 OF 2			
			THIS DRAWING CONTAINS INFORMATION THAT IS PROPRIETARY TO MOLEX INCORPORATED AND SHOULD NOT BE USED WITHOUT WRITTEN PERMISSION						EN-02DA(021)	

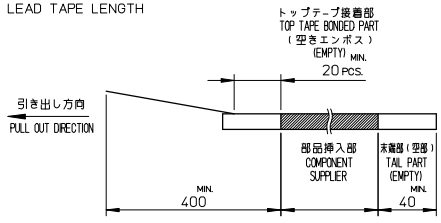
10 9 8 7 6 5 4 3 2 1



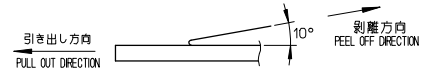
DETAIL F

NOTES

- 製品詳細寸法については、製品単体図面を御参照下さい。  
For detail of connector dimensions, please see the drawing of connector itself (not packaged)
- 梱包数量 : 1500 個/リール  
NUMBER OF CONNECTORS : 1500 PCS/REEL
- リードテープ長さ  
LEAD TAPE LENGTH



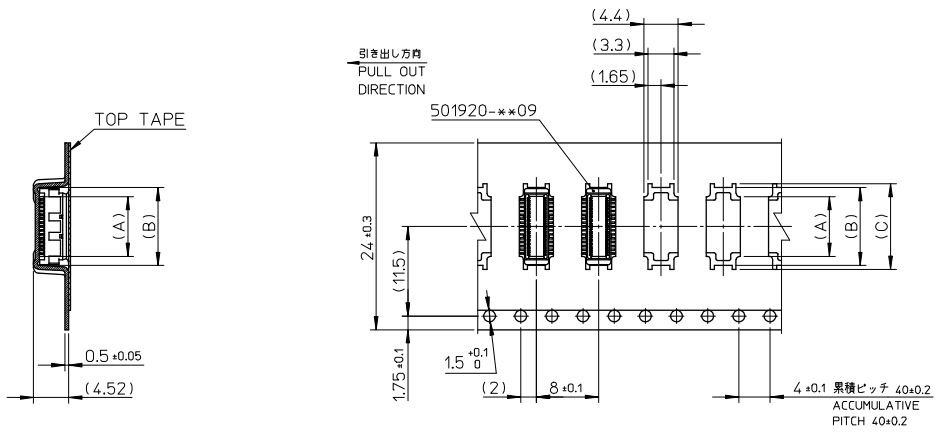
- トップテープの剥離強度: 0.1N ~ 1.3N (10gf~130gf)  
(剥離方向は下図参照)  
尚、本規格値は、出荷時に適用。(但し、輸送時に剥離が発生しない事。)  
PEELING OFF FORCE OF TOP TAPE 0.1N~1.3N (10gf~130gf)  
(PEELING DIRECTION AS SHOWN IN FOLLOWING FIG.)  
THIS REQUIREMENT SHOULD BE APPLIED AT SHIPMENT.  
(PEEL OFF SHOULD NOT BE ALLOWED, DURING TRANSPORTATION.)



- 材料  
キャリアテープ : ポリプロピレン  
トップテープ : PET ,PE ,PEF  
リール : ポリスチレン(PS) <リサイクル材を含む>  
MATERIAL  
CARRIER TAPE : POLYPROPYLENE  
TOP TAPE : PET ,PE ,PEF  
REEL : POLYSTYRENE(PS) <RECYCLE MATERIAL CONTAINED>
- ELV AND RoHS COMPLIANT.

REVISED EC NO: J2008-2863 DRAWN: K. IHO CHKD: M. SASAO APPR: M. SASAO	DESCRIPTION 2008/01/29 2008/01/29 2008/02/05	GENERAL TOLERANCES (UNLESS SPECIFIED)		DIMENSION STYLE MM ONLY		501920-**x01		MODEL NO.		
		10 UNDER ±0.2		DRAWN BY M. ISOGAYA DATE 2005/08/18		SCALE #	DESIGN UNITS METRIC	THIRD ANGLE PROJECTION		
		10 OVER 30 UNDER ±0.25		CHECKED BY T. HIRATA DATE 2005/08/18		TITLE EMBSTP PKG FOR 0.5 PITCH B/B CONN. PLUG HSG ASSY				
		30 OVER ±0.3		APPROVED BY M. SASAO DATE 2005/08/18		MOLEX INCORPORATED				
ANGULAR ±1 °		DRAFT WHERE APPLICABLE MUST REMAIN WITHIN DIMENSIONS		MATERIAL NO. SEE SHEET 2		DOCUMENT NO. SD-501920-002		SHEET NO. 1 OF 2		

10 9 8 7 6 5 4 3 2 1



24mm幅キャリアテープ  
24mm WIDTH CARRIER TAPE

24	25.4	16.0	15.0	12.67	501920-5001	50
		13.5	12.5	10.17	501920-4001	40
		11.0	10.0	7.67	501920-3001	30
キャリアテープ幅 CARRIER TAPE WIDTH	D	(C)	(B)	(A)	MATERIAL NO.	CIRCUIT

REVISED E.C. NO: J2008-2863 DRAWN: KAIHO 2008/01/29 CHECKED: MSASAO 2008/01/29 APPR: MSASAO 2008/02/05	GENERAL TOLERANCES (UNLESS SPECIFIED)		DIMENSION STYLE MM ONLY		SCALE ≠	DESIGN UNITS METRIC	THIRD ANGLE PROJECTION
	10 UNDER	±0.2	DRAWN BY M. ISOGAYA	DATE 2005/08/18	TITLE EMBSTP PKG FOR 0.5 PITCH B/B CONN. PLUG HSG ASSY		
	10 OVER 30 UNDER	±0.25	CHECKED BY T. HIRATA	DATE 2005/08/18	MOLEX INCORPORATED		
	30 OVER	±0.3	APPROVED BY M. SASAO	DATE 2005/08/18	DOCUMENT NO. SD-501920-002		
	ANGULAR ±1°		MATERIAL NO. SEE TABLE	SHEET NO. 2 OF 2			
	DRAFT WHERE APPLICABLE MUST REMAIN WITHIN DIMENSIONS		THIS DRAWING CONTAINS INFORMATION THAT IS PROPRIETARY TO MOLEX INCORPORATED AND SHOULD NOT BE USED WITHOUT WRITTEN PERMISSION				