

## FEATURES

- *Guaranteed* Offset Voltage  
     -55°C to 125°C  
     150µV Max  
     500µV Max
- *Guaranteed* Drift  
     4µV/°C Max
- *Guaranteed* Bias Current  
     70°C  
     125°C  
     150pA Max  
     2.5nA Max
- *Guaranteed* Slew Rate  
     12V/µs Min

## APPLICATIONS

- Precision, High Speed Instrumentation
- Logarithmic Amplifiers
- D/A Output Amplifiers
- Photodiode Amplifiers
- Voltage-to-Frequency Converters
- Frequency-to-Voltage Converters
- Fast, Precision Sample-and-Hold

## DESCRIPTION

The LT1055/LT1056 JFET input operational amplifiers combine precision specifications with high speed performance.

For the first time, 16V/µs slew rate and 6.5MHz gain-bandwidth product are simultaneously achieved with offset voltage of typically 50µV, 1.2µV/°C drift, bias currents of 40pA at 70°C and 500pA at 125°C.

The 150µV maximum offset voltage specification is the best available on any JFET input operational amplifier.

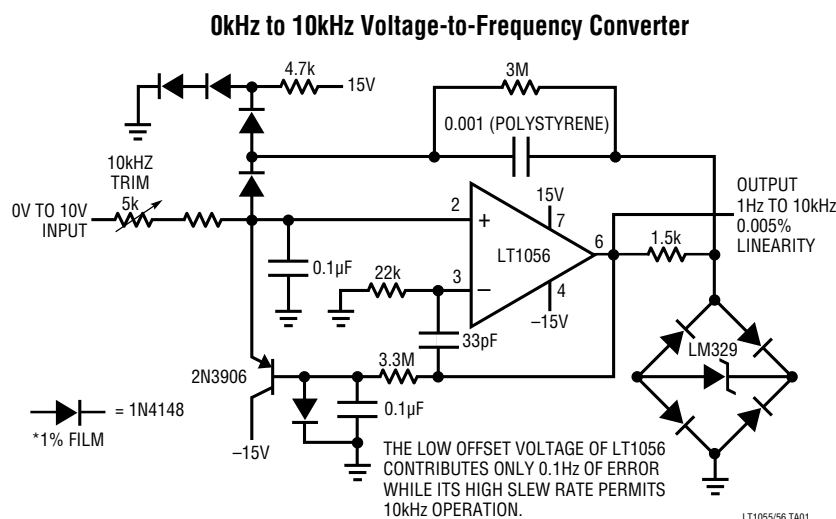
The LT1055 and LT1056 are differentiated by their operating currents. The lower power dissipation LT1055 achieves lower bias and offset currents and offset voltage. The additional power dissipation of the LT1056 permits higher slew rate, bandwidth and faster settling time with a slight sacrifice in DC performance.

The voltage-to-frequency converter shown below is one of the many applications which utilize both the precision and high speed of the LT1055/LT1056.

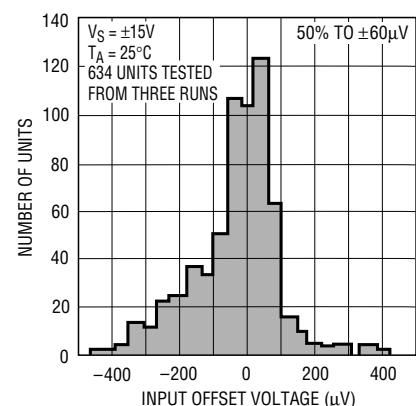
For a JFET input op amp with 23V/µs guaranteed slew rate, refer to the LT1022 data sheet.

LT and LTC are registered trademarks and LT is a trademark of Linear Technology Corporation.

## TYPICAL APPLICATION



**Distribution of Input Offset Voltage (H Package)**



LT1055/56 TA02

# LT1055/LT1056

## ABSOLUTE MAXIMUM RATINGS

Supply Voltage .....	±20V
Differential Input Voltage .....	±40V
Input Voltage .....	±20V
Output Short-Circuit Duration .....	Indefinite
Operating Temperature Range	
LT1055AM/LT1055M/LT1056AM/ LT1056M .....	-55°C to 125°C
LT1055AC/LT1055C/LT1056AC/ LT1056C .....	0°C to 70°C
Storage Temperature Range	
All Devices .....	-65°C to 150°C
Lead Temperature (Soldering, 10 sec) .....	300°C

## PACKAGE/ORDER INFORMATION

<p>H PACKAGE 8-LEAD TO-5 METAL CAN T<sub>JMAX</sub> = 150°C, θ<sub>JA</sub> = 150°C/W, θ<sub>JC</sub> = 45°C/W</p>	ORDER PART NUMBER	
	LT1055ACH	LT1056ACH
<p>N8 PACKAGE 8-LEAD PLASTIC DIP T<sub>JMAX</sub> = 100°C, θ<sub>JA</sub> = 130°C/W</p>	LT1055CH	LT1056CH
	LT1055AMH	LT1056AMH
	LT1055MH	LT1056MH
	LT1055CN8 LT1056CN8	

Consult factory for Industrial grade parts.

## ELECTRICAL CHARACTERISTICS $V_S = \pm 15V$ , $T_A = 25^\circ C$ , $V_{CM} = 0V$ unless otherwise noted.

SYMBOL	PARAMETER	CONDITIONS	LT1055AM/LT1056AM LT1055AC/LT1056AC			LT1055M/LT1056M LT1055CH/LT1056CH LT1055CN8/LT1056CN8			UNITS
			MIN	TYP	MAX	MIN	TYP	MAX	
$V_{OS}$	Input Offset Voltage (Note 1)	LT1055 H Package LT1056 H Package LT1055 N8 Package LT1056 N8 Package	—	50	150	—	70	400	μV
$I_{OS}$	Input Offset Current	Fully Warmed Up	—	2	10	—	2	20	pA
$I_B$	Input Bias Current	Fully Warmed Up $V_{CM} = 10V$	—	±10	±50	—	±10	±50	pA
	Input Resistance: Differential Common Mode	$V_{CM} = -11V$ to 8V $V_{CM} = 8V$ to 11V	—	10 <sup>12</sup>	—	—	10 <sup>12</sup>	—	Ω
	Input Capacitance		—	10 <sup>11</sup>	—	—	10 <sup>11</sup>	—	Ω
			—	4	—	—	4	—	pF
$e_n$	Input Noise Voltage	0.1Hz to 10Hz LT1055 LT1056	—	1.8	—	—	2.0	—	μV <sub>p-p</sub>
	Input Noise Voltage Density	$f_0 = 10Hz$ (Note 2) $f_0 = 1kHz$ (Note 3)	—	2.5	—	—	2.8	—	μV <sub>p-p</sub>
			—	28	50	—	30	60	nV/√Hz
			—	14	20	—	15	22	nV/√Hz
$I_n$	Input Noise Current Density	$f_0 = 10Hz, 1kHz$ (Note 4)	—	1.8	4	—	1.8	4	fA/√Hz
$A_{VOL}$	Large-Signal Voltage Gain	$V_0 = \pm 10V$ $R_L = 2k$	150	400	—	120	400	—	V/mV
		$R_L = 1k$	130	300	—	100	300	—	V/mV
	Input Voltage Range		±11	±12	—	±11	±12	—	V
CMRR	Common-Mode Rejection Ratio	$V_{CM} = \pm 11V$	86	100	—	83	98	—	dB
PSRR	Power Supply Rejection Ratio	$V_S = \pm 10V$ to ±18V	90	106	—	88	104	—	dB
$V_{OUT}$	Output Voltage Swing	$R_L = 2k$	±12	±13.2	—	±12	±13.2	—	V
SR	Slew Rate	LT1055	10	13	—	7.5	12	—	V/μs
		LT1056	12	16	—	9.0	14	—	V/μs
GBW	Gain-Bandwidth Product	$f = 1MHz$ LT1055	—	5.0	—	—	4.5	—	MHz
		LT1056	—	6.5	—	—	5.5	—	MHz
$I_S$	Supply Current	LT1055	—	2.8	4.0	—	2.8	4.0	mA
		LT1056	—	5.0	6.5	—	5.0	7.0	mA
	Offset Voltage Adjustment Range	$R_{POT} = 100k$	—	±5	—	—	±5	—	mV

**ELECTRICAL CHARACTERISTICS**  $V_S = \pm 15V, V_{CM} = 0V, 0^\circ C \leq T_A \leq 70^\circ C$  unless otherwise noted.

SYMBOL	PARAMETER	CONDITIONS		LT1055AC LT1056AC			LT1055CH/LT1056CH LT1055CN8/LT1056CN8			UNITS
				MIN	TYP	MAX	MIN	TYP	MAX	
V <sub>OS</sub>	Input Offset Voltage (Note1)	LT1055 H Package	●	—	100	330	—	140	750	μV
		LT1056 H Package	●	—	100	360	—	140	800	μV
		LT1055 N8 Package	●	—	—	—	—	250	1250	μV
		LT1056 N8 Package	●	—	—	—	—	280	1350	μV
	Average Temperature Coefficient of Input Offset Voltage	H Package (Note 5)	●	—	1.2	4.0	—	1.6	8.0	μV/°C
		N8 Package (Note 5)	●	—	—	—	—	3.0	12.0	μV/°C
I <sub>OS</sub>	Input Offset Current	Warmed Up LT1055	●	—	10	50	—	16	80	pA
		T <sub>A</sub> = 70°C LT1056	●	—	14	70	—	18	100	pA
I <sub>B</sub>	Input Bias Current	Warmed Up LT1055	●	—	±30	±150	—	±40	±200	pA
		T <sub>A</sub> = 70°C LT1056	●	—	±40	±80	—	±50	±240	pA
A <sub>VOL</sub>	Large-Signal Voltage Gain	V <sub>O</sub> = ±10V, R <sub>L</sub> = 2k	●	80	250	—	60	250	—	V/mV
CMRR	Common-Mode Rejection Ratio	V <sub>CM</sub> = ±10.5V	●	85	100	—	82	98	—	dB
PSRR	Power Supply Rejection Ratio	V <sub>S</sub> = ±10V to ±18V	●	89	105	—	87	103	—	dB
V <sub>OUT</sub>	Output Voltage Swing	R <sub>L</sub> = 2k	●	±12	±13.1	—	±12	±13.1	—	V

$V_S = \pm 15V, V_{CM} = 0V, -55^\circ C \leq T_A \leq 125^\circ C$  unless otherwise noted.

SYMBOL	PARAMETER	CONDITIONS		LT1055AM LT1056AM			LT1055M LT1056M			UNITS
				MIN	TYP	MAX	MIN	TYP	MAX	
V <sub>OS</sub>	Input Offset Voltage (Note1)	LT1055	●	—	180	500	—	250	1200	μV
		LT1056	●	—	180	550	—	250	1250	μV
	Average Temperature Coefficient of Input Offset Voltage	(Note 5)	●	—	1.3	4.0	—	1.8	8.0	μV/°C
I <sub>OS</sub>	Input Offset Current	Warmed Up LT1055	●	—	0.20	1.2	—	0.25	1.8	nA
		T <sub>A</sub> = 125°C LT1056	●	—	0.25	1.5	—	0.30	2.4	nA
I <sub>B</sub>	Input Bias Current	Warmed Up LT1055	●	—	±0.4	±2.5	—	±0.5	±4.0	nA
		T <sub>A</sub> = 125°C LT1056	●	—	±0.5	±3.0	—	±0.6	±5.0	nA
A <sub>VOL</sub>	Large-Signal Voltage Gain	V <sub>O</sub> = ±10V, R <sub>L</sub> = 2k	●	40	120	—	35	120	—	V/mV
CMRR	Common-Mode Rejection Ratio	V <sub>CM</sub> = ±10.5V	●	85	100	—	82	98	—	dB
PSRR	Power Supply Rejection Ratio	V <sub>S</sub> = ±10V to ±17V	●	88	104	—	86	102	—	dB
V <sub>OUT</sub>	Output Voltage Swing	R <sub>L</sub> = 2k	●	±12	±12.9	—	±12	±12.9	—	V

The ● denotes specifications which apply over the full operating temperature range.

For MIL-STD components, please refer to LTC883 data sheet for test listing and parameters.

**Note 1:** Offset voltage is measured under two different conditions: (a) approximately 0.5 seconds after application of power; (b) at T<sub>A</sub> = 25°C only, with the chip heated to approximately 38°C for the LT1055 and to 45°C for the LT1056, to account for chip temperature rise when the device is fully warmed up.

**Note 2:** 10Hz noise voltage density is sample tested on every lot of A grades. Devices 100% tested at 10Hz are available on request.

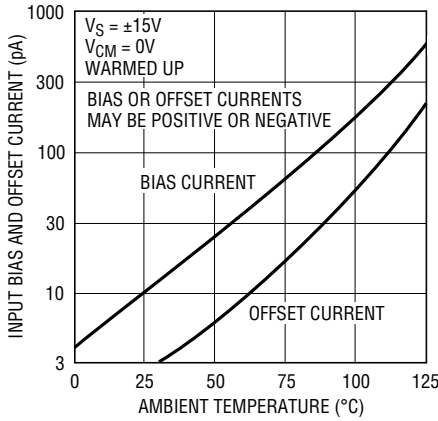
**Note 3:** This parameter is tested on a sample basis only.

**Note 4:** Current noise is calculated from the formula:  $i_n = (2qI_B)^{1/2}$ , where  $q = 1.6 \times 10^{-19}$  coulomb. The noise of source resistors up to 1GΩ swamps the contribution of current noise.

**Note 5:** Offset voltage drift with temperature is practically unchanged when the offset voltage is trimmed to zero with a 100k potentiometer between the balance terminals and the wiper tied to V<sup>+</sup>. Devices tested to tighter drift specifications are available on request.

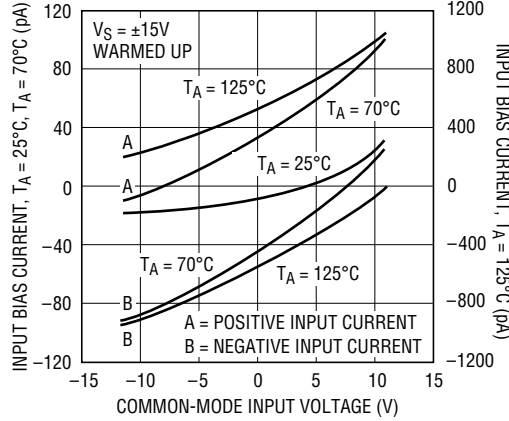
## TYPICAL PERFORMANCE CHARACTERISTICS

### Input Bias and Offset Currents vs Temperature



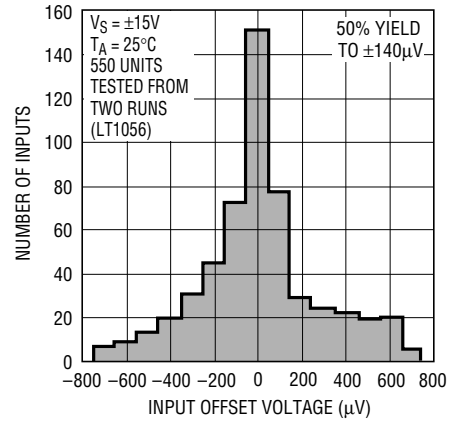
LT1055/56 G01

### Input Bias Current Over the Common-Mode Range



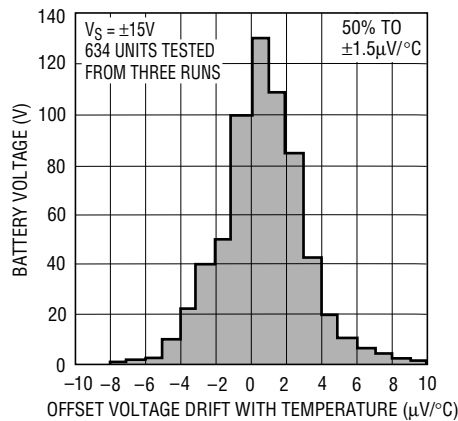
LT1055/56 G02

### Distribution of Input Offset Voltage (N8 Package)



LT1055/56 G03

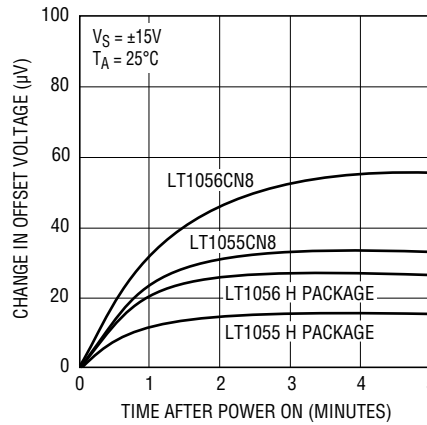
### Distribution of Offset Voltage Drift with Temperature (H Package)\*



\*DISTRIBUTION IN THE PLASTIC (N8) PACKAGE IS SIGNIFICANTLY WIDER.

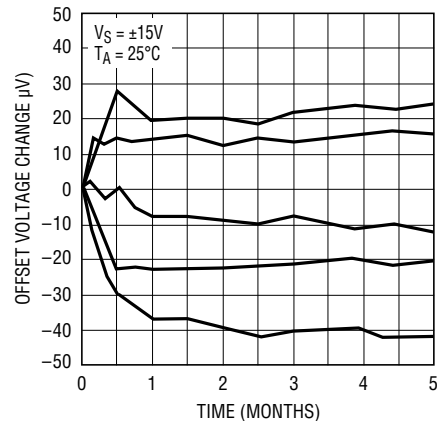
LT1055/56 G04

### Warm-Up Drift



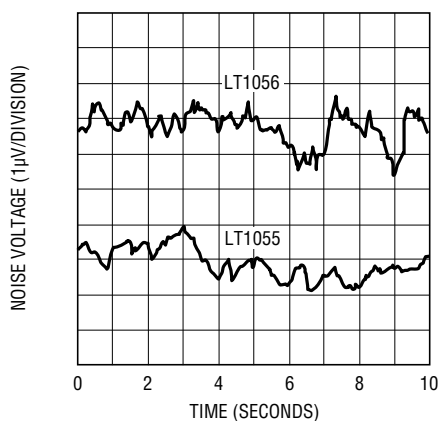
LT1055/56 G05

### Long Term Drift of Representative Units



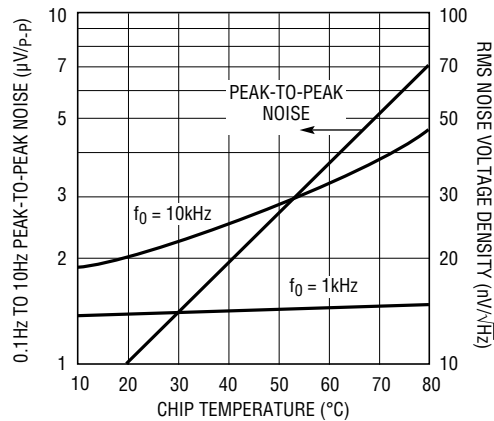
LT1055/56 G06

### 0.1Hz to 10Hz Noise



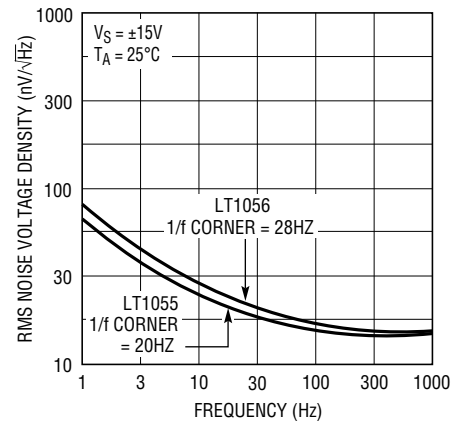
LT1055/56 G07

### Noise vs Chip Temperature



LT1055/56 G08

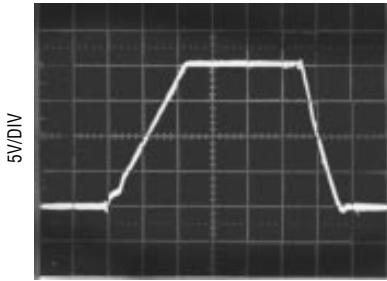
### Voltage Noise vs Frequency



LT1055/56 G09

# TYPICAL PERFORMANCE CHARACTERISTICS

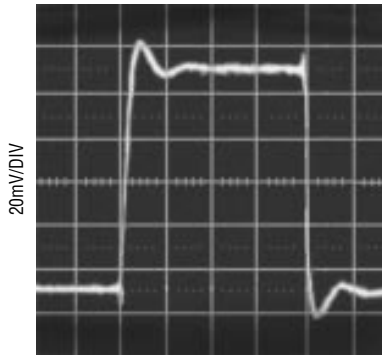
**LT1056 Large-Signal Response**



$A_V = 1, C_L = 100\text{pF}, 0.5\mu\text{s}/\text{DIV}$

LT1055/56 G10

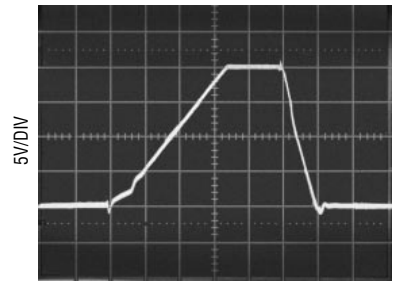
**Small-Signal Response**



$A_V = 1, C_L = 100\text{pF}, 0.2\mu\text{s}/\text{DIV}$

LT1055/56 G11

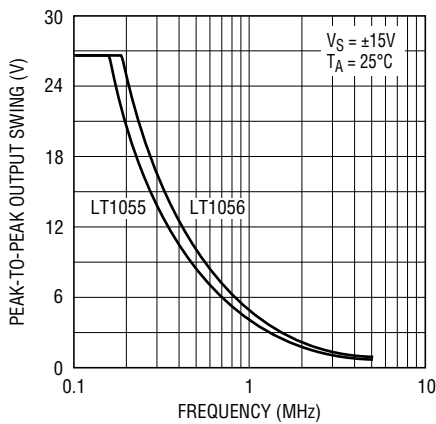
**LT1055 Large-Signal Response**



$A_V = 1, C_L = 100\text{pF}, 0.5\mu\text{s}/\text{DIV}$

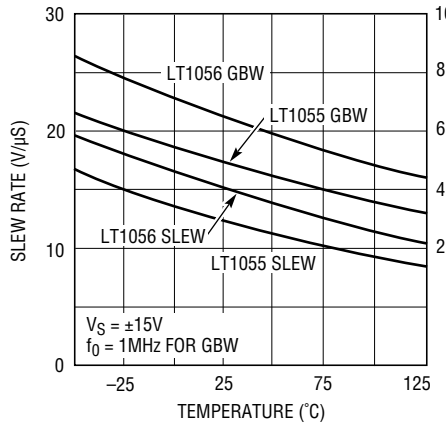
LT1055/56 G12

**Undistorted Output Swing vs Frequency**



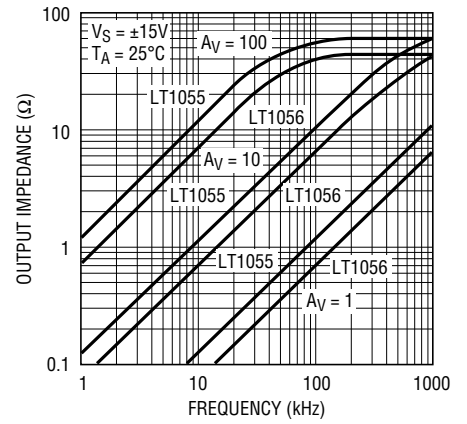
LT1055/56 G13

**Slew Rate, Gain-Bandwidth vs Temperature**



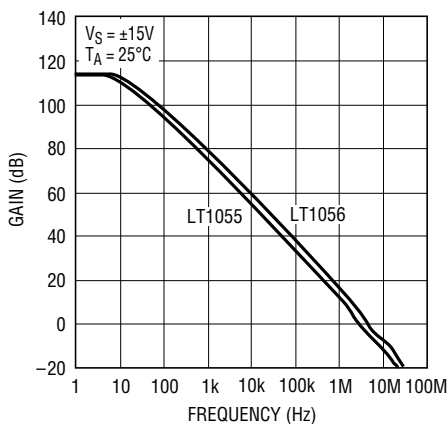
LT1055/56 G14

**Output Impedance vs Frequency**



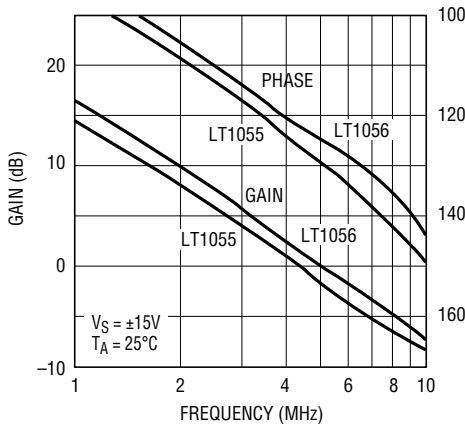
LT1055/56 G15

**Gain vs Frequency**



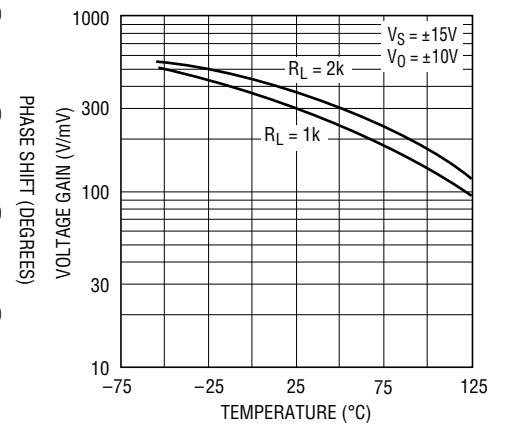
LT1055/56 G16

**Gain, Phase Shift vs Frequency**



LT1055/56 G17

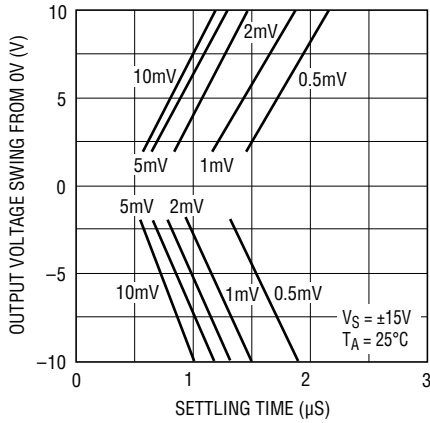
**Voltage Gain vs Temperature**



LT1055/56 G18

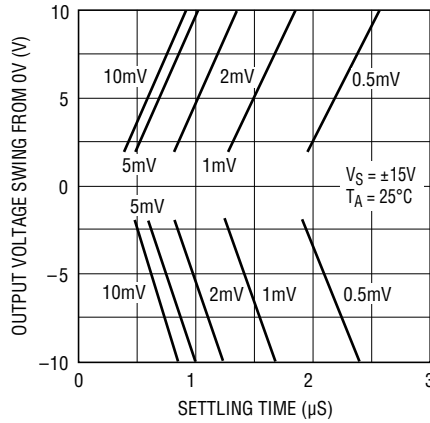
## TYPICAL PERFORMANCE CHARACTERISTICS

**LT1055 Settling Time**



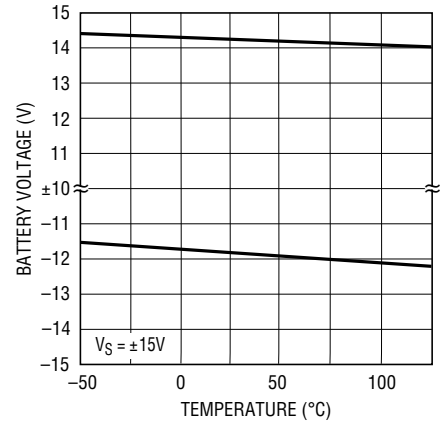
LT1055/56 G19

**LT1056 Settling Time**



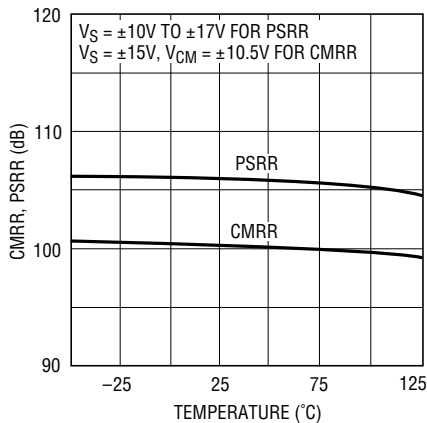
LT1055/56 G20

**Common-Mode Range vs Temperature**



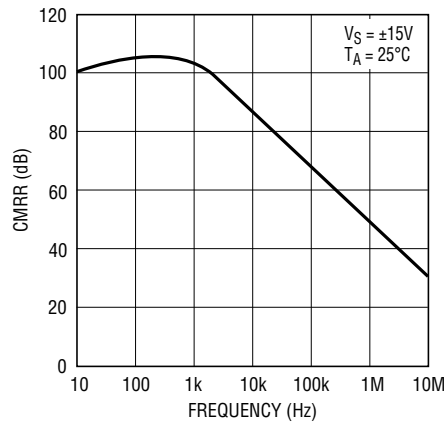
LT1055/56 G21

**Common-Mode and Power Supply Rejections vs Temperature**



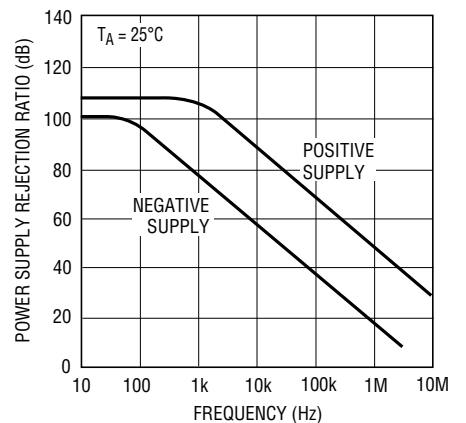
LT1055/56 G22

**Common-Mode Rejection Ratio vs Frequency**



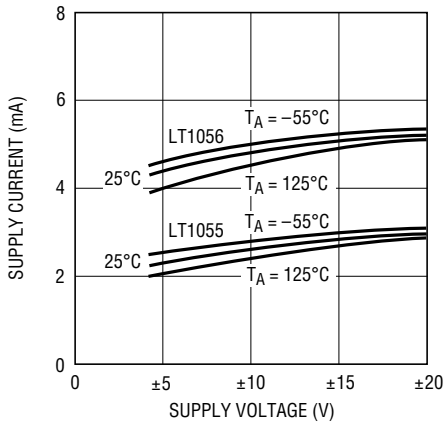
LT1055/56 G23

**Power Supply Rejection Ratio vs Frequency**



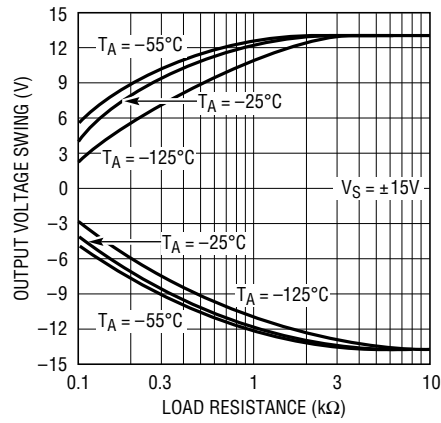
LT1055/56 G24

**Supply Current vs Supply Voltage**



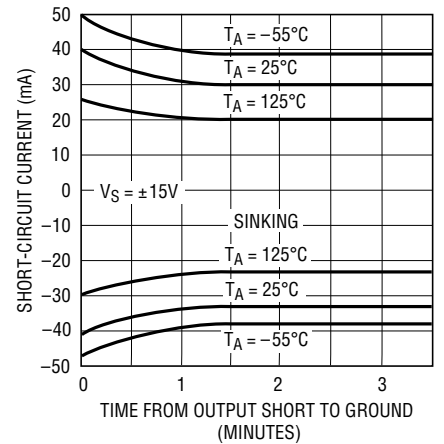
LT1055/56 G25

**Output Swing vs Load Resistance**



LT1055/56 G26

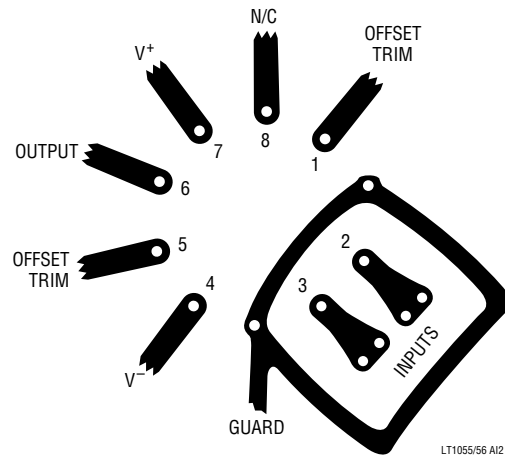
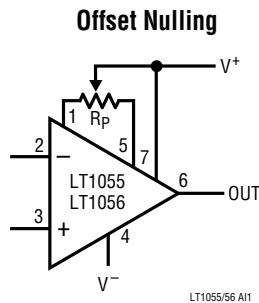
**Short-Circuit Current vs Time**



LT1055/56 G27

## APPLICATIONS INFORMATION

The LT1055/LT1056 may be inserted directly into LF155A/LT355A, LF156A/LT356A, OP-15 and OP-16 sockets. Offset nulling will be compatible with these devices with the wiper of the potentiometer tied to the positive supply.



No appreciable change in offset voltage drift with temperature will occur when the device is nulled with a potentiometer,  $R_p$ , ranging from 10k to 200k.

The LT1055/LT1056 can also be used in LF351, LF411, AD547, AD611, OPA-111, and TL081 sockets, provided that the nulling circuitry is removed. Because of the LT1055/LT1056's low offset voltage, nulling will not be necessary in most applications.

### Achieving Picoampere/Microvolt Performance

In order to realize the picoampere-microvolt level accuracy of the LT1055/LT1056 proper care must be exercised. For example, leakage currents in circuitry external to the op amp can significantly degrade performance. High quality insulation should be used (e.g. Teflon™, Kel-F); cleaning of all insulating surfaces to remove fluxes and other residues will probably be required. Surface coating may be necessary to provide a moisture barrier in high humidity environments.

Board leakage can be minimized by encircling the input circuitry with a guard ring operated at a potential close to that of the inputs: in inverting configurations the guard ring should be tied to ground, in noninverting connections to the inverting input at pin 2. Guarding both sides of the printed circuit board is required. Bulk leakage reduction depends on the guard ring width.

Teflon is a trademark of Dupont.

The LT1055/LT1056 has the lowest offset voltage of any JFET input op amp available today. However, the offset voltage and its drift with time and temperature are still not as good as on the best bipolar amplifiers because the transconductance of FETs is considerably lower than that of bipolar transistors. Conversely, this lower transconductance is the main cause of the significantly faster speed performance of FET input op amps.

Offset voltage also changes somewhat with temperature cycling. The AM grades show a typical 20µV hysteresis (30µV on the M grades) when cycled over the -55°C to 125°C temperature range. Temperature cycling from 0°C to 70°C has a negligible (less than 10µV) hysteresis effect.

The offset voltage and drift performance are also affected by packaging. In the plastic N8 package the molding compound is in direct contact with the chip, exerting pressure on the surface. While NPN input transistors are largely unaffected by this pressure, JFET device matching and drift are degraded. Consequently, for best DC performance, as shown in the typical performance distribution plots, the TO-5 H package is recommended.

### Noise Performance

The current noise of the LT1055/LT1056 is practically immeasurable at  $1.8fA/\sqrt{Hz}$ . At 25°C it is negligible up to 1G of source resistance,  $R_S$  (compound to the noise of  $R_S$ ). Even at 125°C it is negligible to 100M of  $R_S$ .

## APPLICATIONS INFORMATION

The voltage noise spectrum is characterized by a low 1/f corner in the 20Hz to 30Hz range, significantly lower than on other competitive JFET input op amps. Of particular interest is the fact that with any JFET IC amplifier, the frequency location of the 1/f corner is proportional to the square root of the internal gate leakage currents and, therefore, noise doubles every 20°C. Furthermore, as illustrated in the noise versus chip temperature curves, the 0.1Hz to 10Hz peak-to-peak noise is a strong function of temperature, while wideband noise ( $f_0 = 1\text{kHz}$ ) is practically unaffected by temperature.

Consequently, for optimum low frequency noise, chip temperature should be minimized. For example, operating an LT1056 at  $\pm 5\text{V}$  supplies or with a 20°C/W case-to-ambient heat sink reduces 0.1Hz to 10Hz noise from typically 2.5 $\mu\text{V}_{\text{P-P}}$  ( $\pm 15\text{V}$ , free-air) to 1.5 $\mu\text{V}_{\text{P-P}}$ . Similarly, the noise of an LT1055 will be 1.8 $\mu\text{V}_{\text{P-P}}$  typically because of its lower power dissipation and chip temperature.

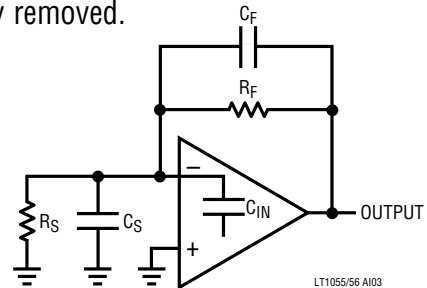
### High Speed Operation

Settling time is measured in the test circuit shown. This test configuration has two features which eliminate problems common to settling time measurements: (1) probe

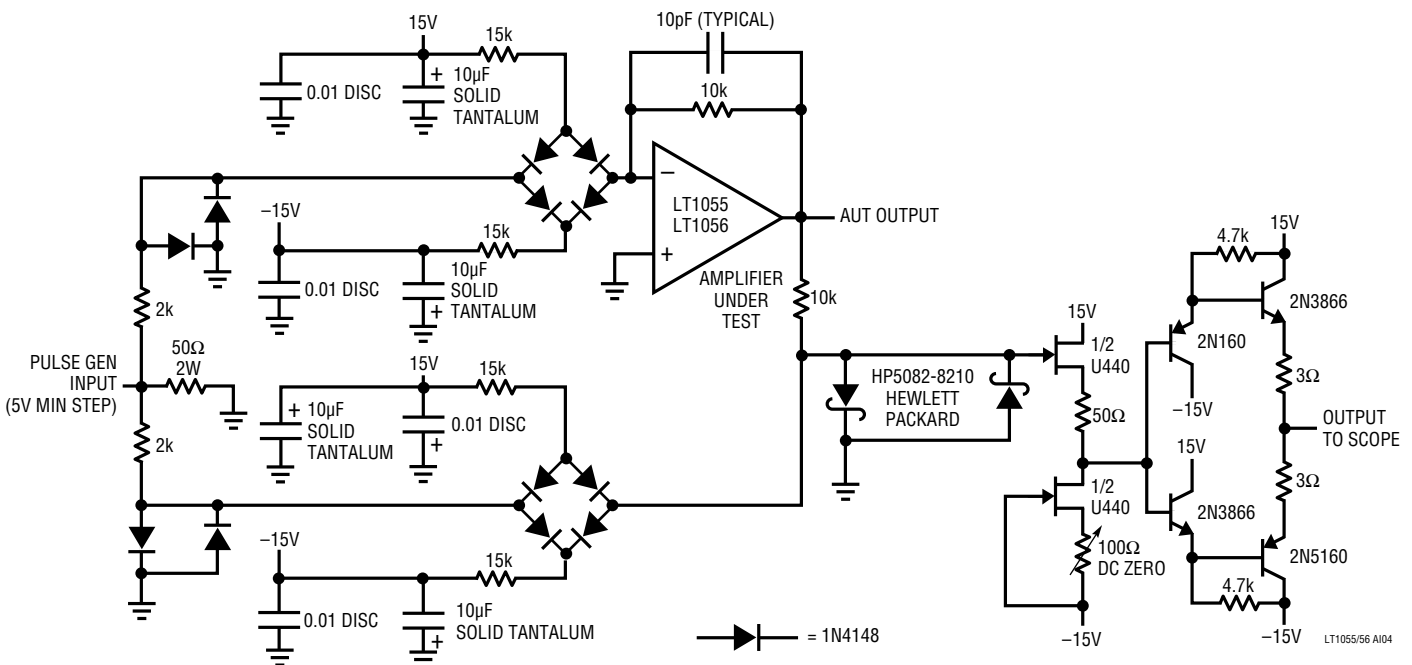
capacitance is isolated from the “false summing” node, and (2) it does not require a “flat top” input pulse since the input pulse is merely used to steer current through the diode bridges. For more details, please see Application Note 10.

As with most high speed amplifiers, care should be taken with supply decoupling, lead dress and component placement.

When the feedback around the op amp is resistive ( $R_F$ ), a pole will be created with  $R_F$ , the source resistance and capacitance ( $R_S, C_S$ ), and the amplifier input capacitance ( $C_{\text{IN}} \approx 4\text{pF}$ ). In low closed-loop gain configurations and with  $R_S$  and  $R_F$  in the kilohm range, this pole can create excess phase shift and even oscillation. A small capacitor ( $C_F$ ) in parallel with  $R_F$  eliminates this problem. With  $R_S (C_S + C_{\text{IN}}) = R_F C_F$ , the effect of the feedback pole is completely removed.



Settling Time Test Circuit



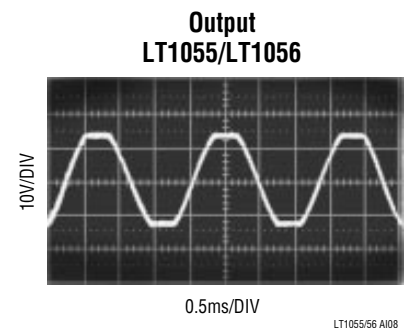
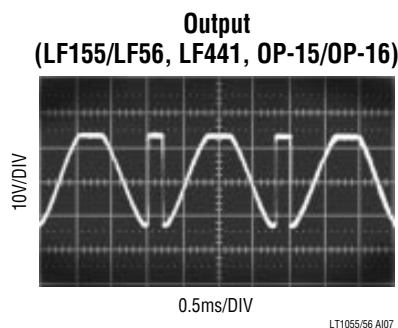
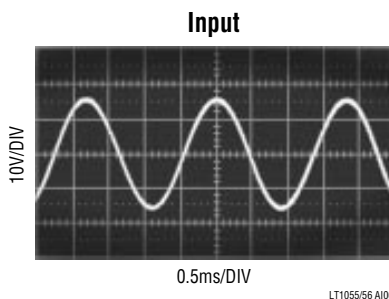
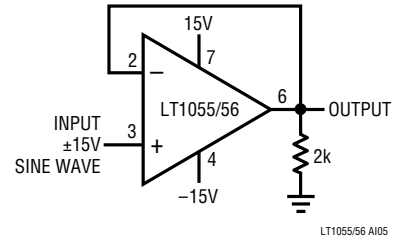


## APPLICATIONS INFORMATION

### Phase Reversal Protection

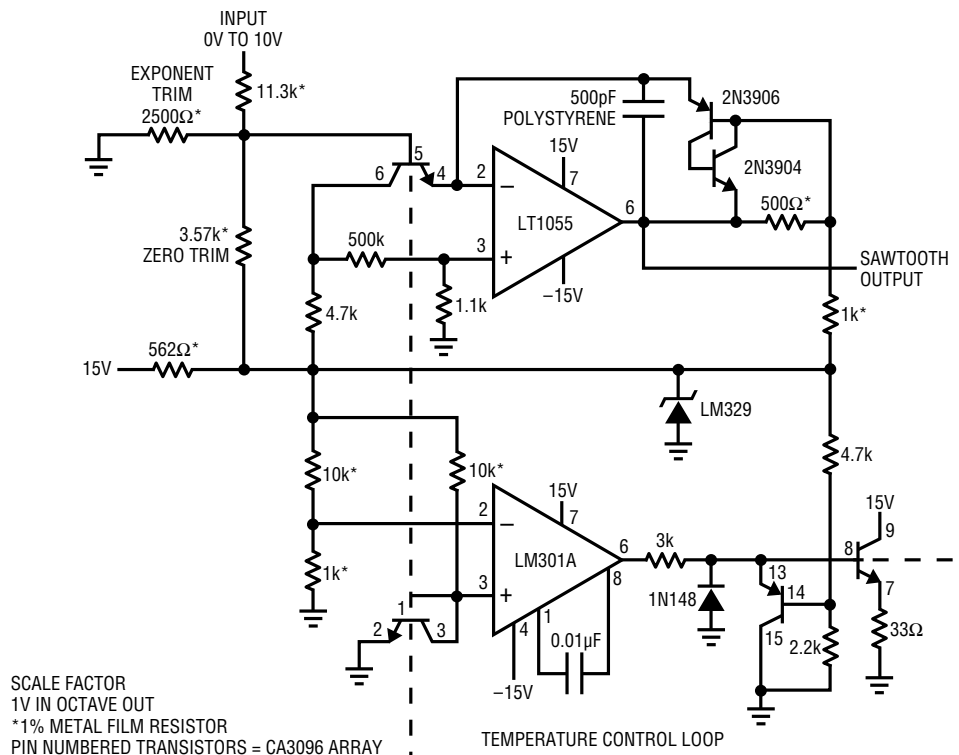
Most industry standard JFET input op amps (e.g., LF155/ LF156, LF351, LF411, OP15/16) exhibit phase reversal at the output when the negative common-mode limit at the input is exceeded (i.e., from  $-12V$  to  $-15V$  with  $\pm 15V$  supplies). This can cause lock-up in servo systems. As shown below, the LT1055/LT1056 does not have this problem due to unique phase reversal protection circuitry (Q1 on simplified schematic).

### Voltage Follower with Input Exceeding the Negative Common-Mode Range



## TYPICAL APPLICATIONS †

### Exponential Voltage-to-Frequency Converter for Music Synthesizers

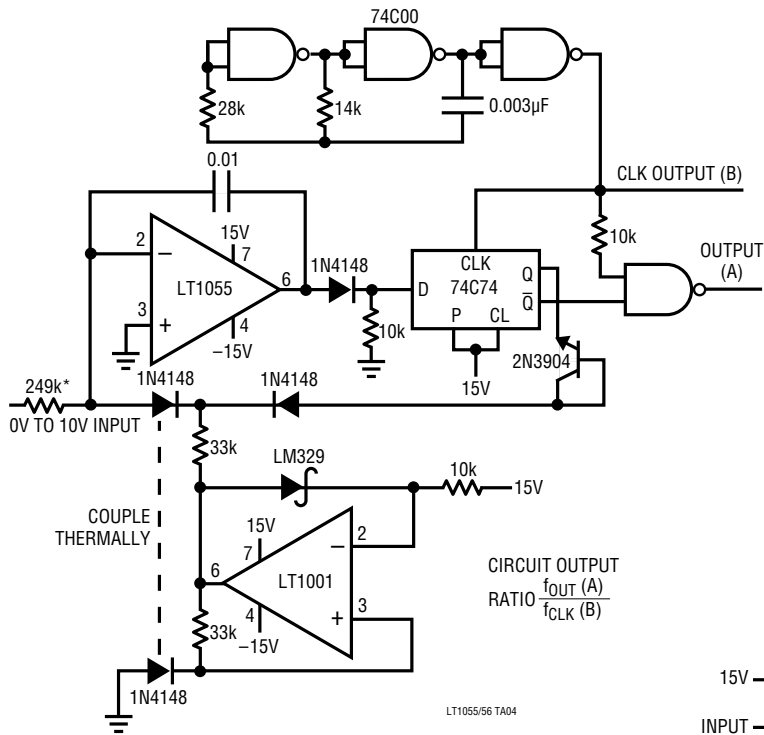


†For ten additional applications utilizing the LT1055 and LT1056, please see the LTC1043 data sheet and Application Note 3.

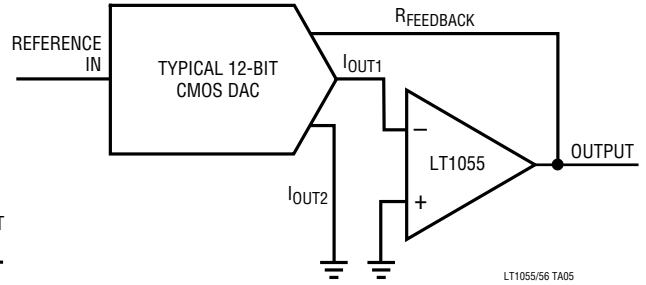
LT1055/56 TA03

**TYPICAL APPLICATIONS**

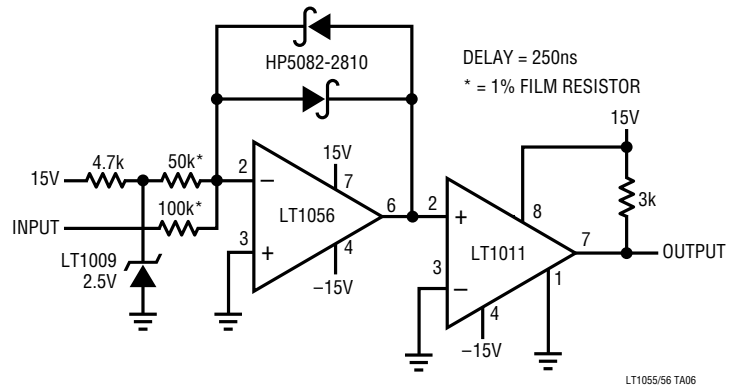
**12-Bit Charge Balance A/D Converter**



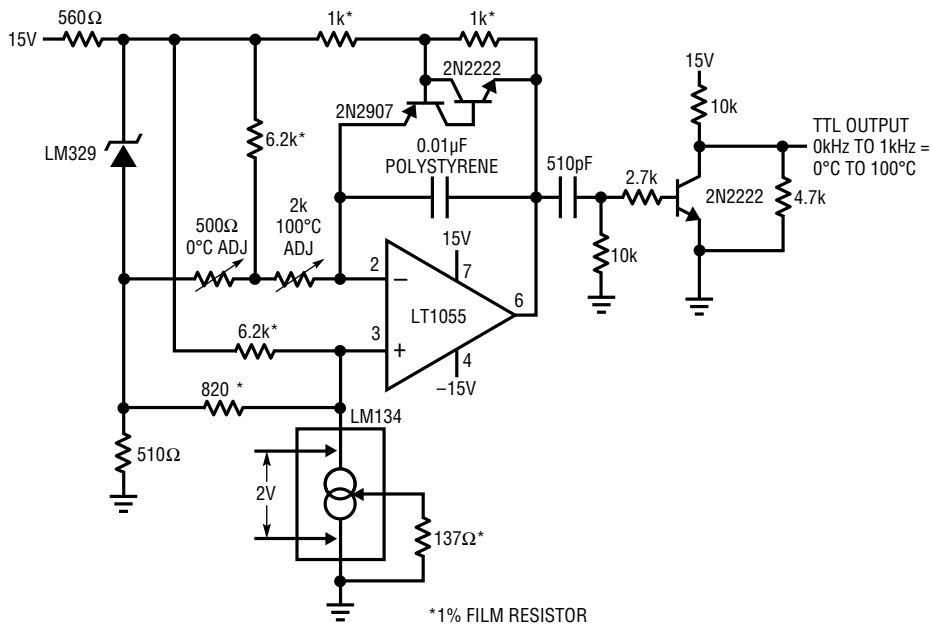
**Fast "No Trims" 12-Bit Multiplying CMOS DAC Amplifier**



**Fast, 16-Bit Current Comparator**

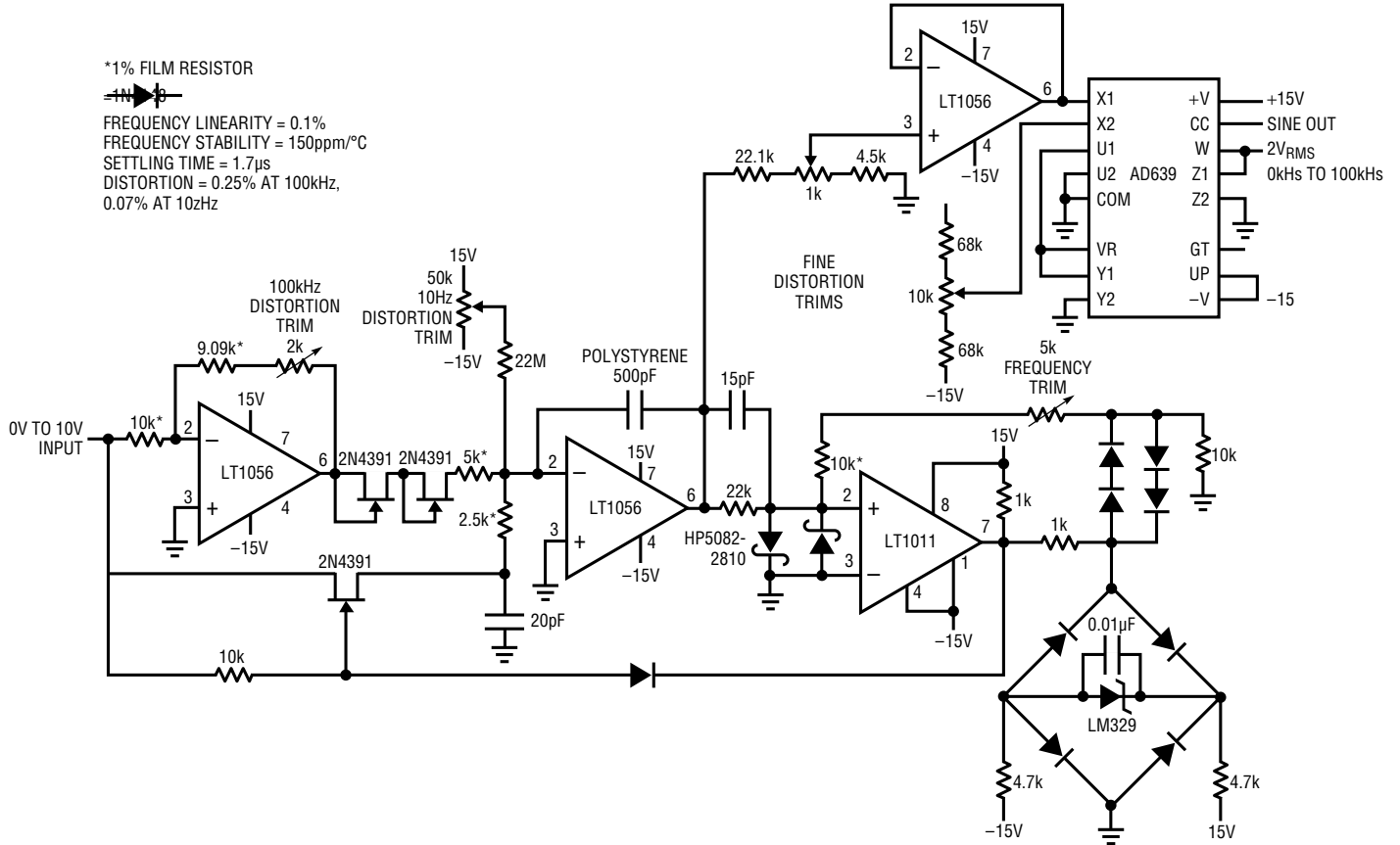


**Temperature-to-Frequency Converter**



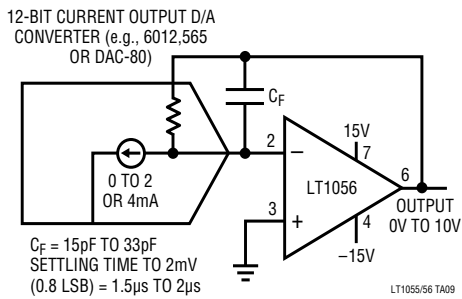
# TYPICAL APPLICATIONS

## 100kHz Voltage Controlled Oscillator

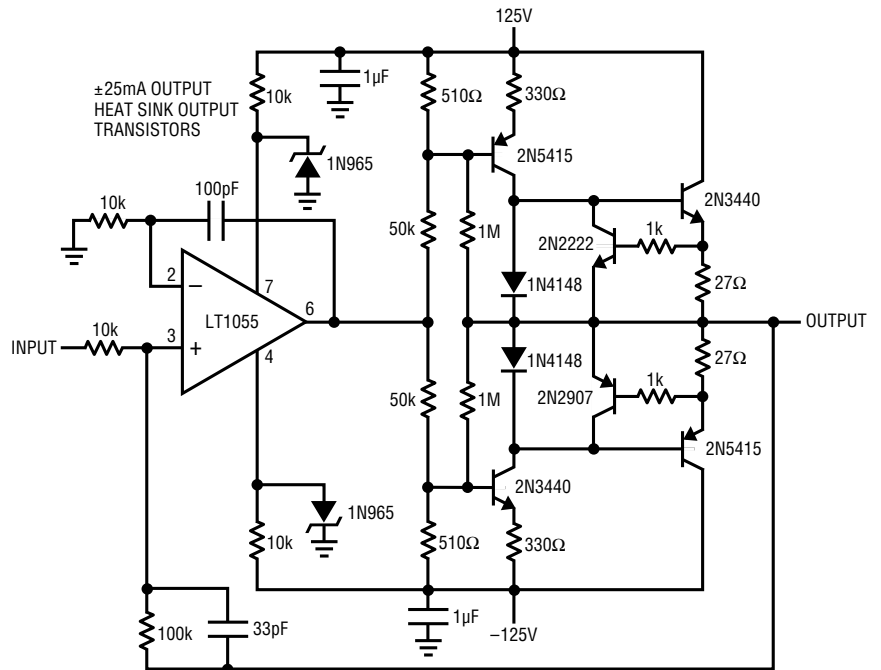


LT1055/56 TA08

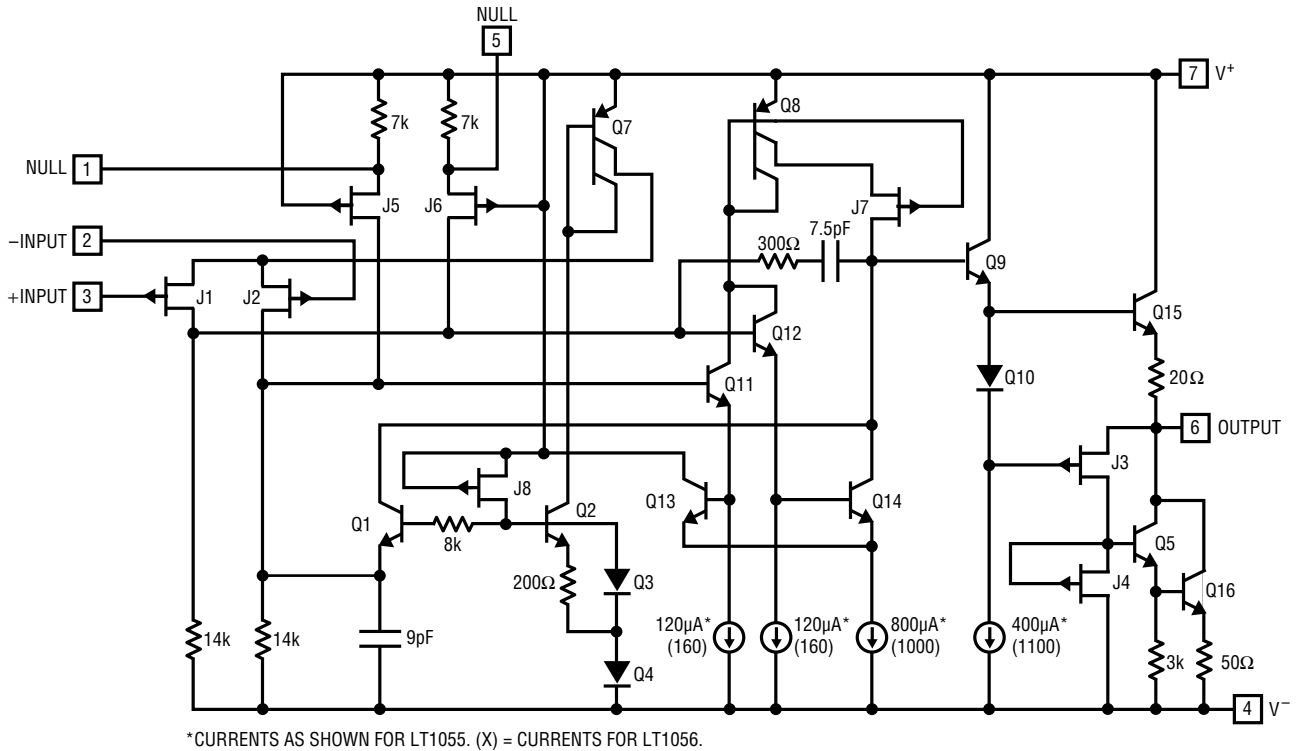
## 12-Bit Voltage Output D/A Converter



## ±120V Output Precision Op Amp



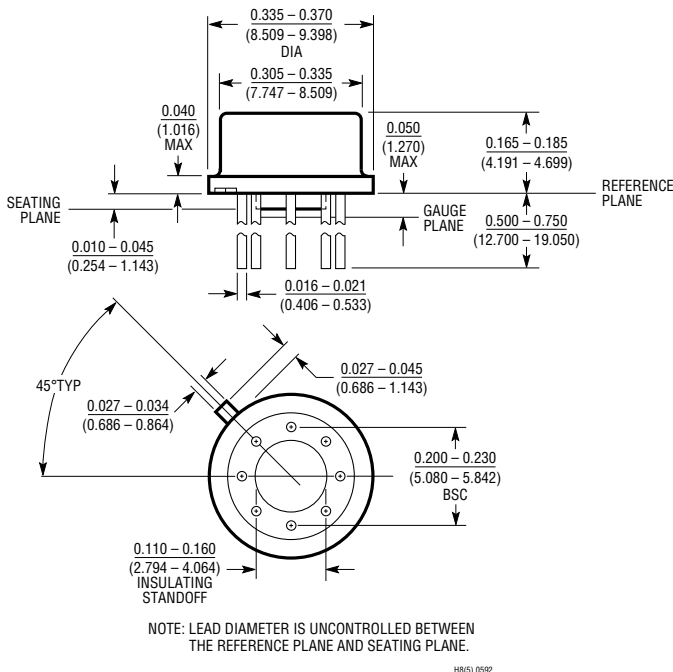
**SIMPLIFIED SCHEMATIC**



**PACKAGE DESCRIPTION**

Dimension in inches (millimeters) unless otherwise noted.

**H Package Metal Can**



**N8 Package  
8-Lead Plastic**

