

TOSHIBA BIPOLAR LINEAR INTEGRATED CIRCUIT SILICON MONOLITHIC

**TA78M05F, TA78M06F, TA78M08F, TA78M09F, TA78M10F
TA78M12F, TA78M15F, TA78M18F, TA78M20F, TA78M24F**

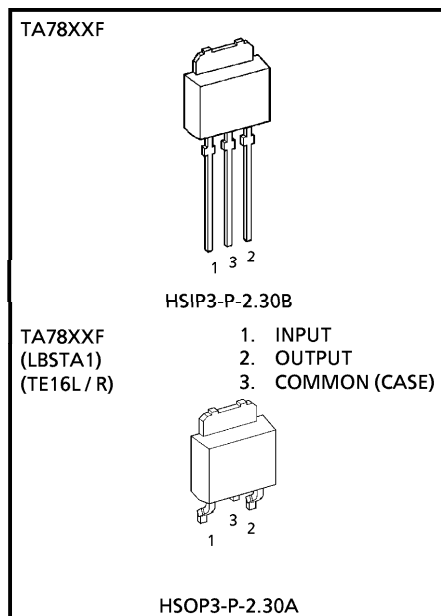
0.5 A THREE TERMINAL POSITIVE VOLTAGE REGULATORS

5 V, 6 V, 8 V, 9 V, 10 V, 12 V, 15 V, 18 V, 20 V, 24 V

The TA78M × × F series of fixed-voltage monolithic integrated circuit voltage regulators is designed for a wide range of applications. These regulators employ internal current-limiting, thermal-shutdown and safe-area compensation, making them essentially indestructible. One of these regulators can drive up to 0.5 A of output current.

FEATURES

- Suitable for CMOS, TTL and the other Digital IC's Power Supply.
- Output Current in Excess of 0.5 A
- Internal Thermal Overload Protection
- Internal Short Circuit Current Limiting
- Packaged in POWER MOLD.

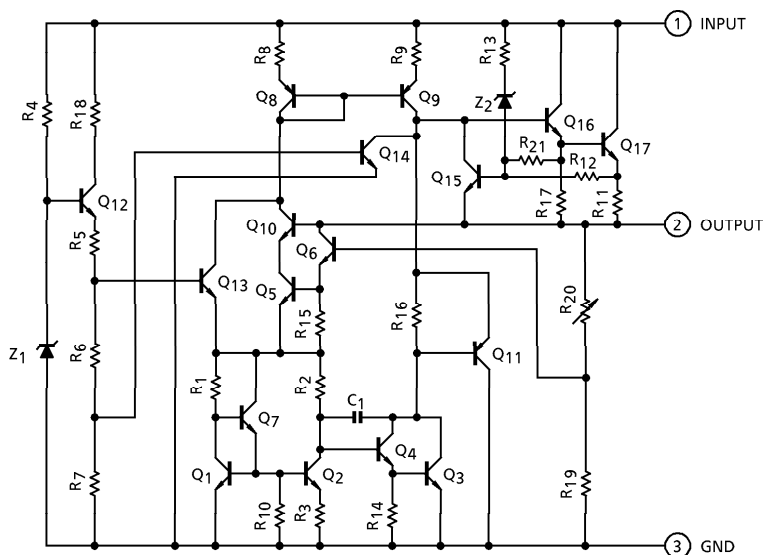


Weight HSIP3-P-2.30B : 0.36 g (Typ.)
HSOP3-P-2.30A : 0.36 g (Typ.)

980910EBA1

- TOSHIBA is continually working to improve the quality and the reliability of its products. Nevertheless, semiconductor devices in general can malfunction or fail due to their inherent electrical sensitivity and vulnerability to physical stress. It is the responsibility of the buyer, when utilizing TOSHIBA products, to observe standards of safety, and to avoid situations in which a malfunction or failure of a TOSHIBA product could cause loss of human life, bodily injury or damage to property. In developing your designs, please ensure that TOSHIBA products are used within specified operating ranges as set forth in the most recent products specifications. Also, please keep in mind the precautions and conditions set forth in the TOSHIBA Semiconductor Reliability Handbook.
- The products described in this document are subject to the foreign exchange and foreign trade laws.
- The information contained herein is presented only as a guide for the applications of our products. No responsibility is assumed by TOSHIBA CORPORATION for any infringements of intellectual property or other rights of the third parties which may result from its use. No license is granted by implication or otherwise under any intellectual property or other rights of TOSHIBA CORPORATION or others.
- The information contained herein is subject to change without notice.

EQUIVALENT CIRCUIT



MAXIMUM RATINGS (Ta = 25°C)

CHARACTERISTIC		SYMBOL	RATING	UNIT
Input Voltage	TA78M05F	V _{IN}	35	V
	TA78M06F			
	TA78M08F			
	TA78M09F			
	TA78M10F			
	TA78M12F			
	TA78M15F			
	TA78M18F			
	TA78M20F			
	TA78M24F			
Power Dissipation	(Ta = 25°C)	P _D	1	W
	(Tc = 25°C)		10	
Operating Temperature		T _{opr}	- 30~75	°C
Storage Temperature		T _{stg}	- 55~150	°C
Junction Temperature		T _j	150	°C
Thermal Resistance	R _{th} (j-c)		12.5	°C/W
	R _{th} (j-a)		125	

TA78M05F

ELECTRICAL CHARACTERISTICS

(V_{IN} = 10 V, I_{OUT} = 350 mA, 0°C ≤ T_j ≤ 125°C, C_{IN} = 0.33 μF, C_{OUT} = 0.1 μF, unless otherwise specified)

CHARACTERISTIC	SYMBOL	TEST CIR-CUIT	TEST CONDITION	MIN.	TYP.	MAX.	UNIT	
Output Voltage	V _{OUT}	1	T _j = 25°C	4.8	5.0	5.2	V	
Line Regulation	Reg.Line	1	T _j = 25°C	7 V ≤ V _{IN} ≤ 25 V I _{OUT} = 200 mA	—	4	100	mV
				8 V ≤ V _{IN} ≤ 25 V I _{OUT} = 200 mA	—	2	50	
Load Regulation	Reg.Load	1	T _j = 25°C	5 mA ≤ I _{OUT} ≤ 500 mA	—	25	100	mV
				5 mA ≤ I _{OUT} ≤ 200 mA	—	10	50	
Output Voltage	V _{OUT}	1	T _j = 25°C	4.75	—	5.25	V	
Quiescent Current	I _B	1	T _j = 25°C	—	4.5	8.0	mA	
Quiescent Current Change	Line	1	8.5 V ≤ V _{IN} ≤ 25.5 V, I _{OUT} = 200 mA	—	—	0.8	mA	
	Load	1	5 mA ≤ I _{OUT} ≤ 350 mA	—	—	0.5		
Output Noise Voltage	V _{NO}	2	T _a = 25°C, 10 Hz ≤ f ≤ 100 kHz	—	50	200	μV _{rms}	
Ripple Rejection	R.R.	3	f = 120 Hz, I _{OUT} = 50 mA 8 V ≤ V _{IN} ≤ 18 V, T _j = 25°C	60	67	—	dB	
Short Circuit Current Limit	I _{SC}	1	T _j = 25°C	—	960	—	mA	
Dropout Voltage	V _D	1	T _a = 25°C	—	1.7	—	V	
Average Temperature Coefficient Of Output Voltage	T _{CVO}	1	I _{OUT} = 5 mA	—	-0.6	—	mV/°C	

TA78M06F

ELECTRICAL CHARACTERISTICS

(V_{IN} = 11 V, I_{OUT} = 350 mA, 0°C ≤ T_j ≤ 125°C, C_{IN} = 0.33 μF, C_{OUT} = 0.1 μF, unless otherwise specified)

CHARACTERISTIC	SYMBOL	TEST CIR-CUIT	TEST CONDITION	MIN.	TYP.	MAX.	UNIT	
Output Voltage	V _{OUT}	1	T _j = 25°C	5.75	6.0	6.25	V	
Line Regulation	Reg.Line	1	T _j = 25°C	8 V ≤ V _{IN} ≤ 25 V I _{OUT} = 200 mA	—	4	100	mV
				9 V ≤ V _{IN} ≤ 25 V I _{OUT} = 200 mA	—	2	50	
Load Regulation	Reg.Load	1	T _j = 25°C	5 mA ≤ I _{OUT} ≤ 500 mA	—	25	120	mV
				5 mA ≤ I _{OUT} ≤ 200 mA	—	10	60	
Output Voltage	V _{OUT}	1	T _j = 25°C	5.7	—	6.3	V	
Quiescent Current	I _B	1	T _j = 25°C	—	4.5	8.0	mA	
Quiescent Current Change	Line	1	9.5 V ≤ V _{IN} ≤ 25.5 V, I _{OUT} = 200 mA	—	—	0.8	mA	
	Load	1	5 mA ≤ I _{OUT} ≤ 350 mA	—	—	0.5		
Output Noise Voltage	V _{NO}	2	T _a = 25°C, 10 Hz ≤ f ≤ 100 kHz	—	55	220	μV _{rms}	
Ripple Rejection	R.R.	3	f = 120 Hz, I _{OUT} = 50 mA 9 V ≤ V _{IN} ≤ 19 V, T _j = 25°C	58	65	—	dB	
Short Circuit Current Limit	I _{SC}	1	T _j = 25°C	—	960	—	mA	
Dropout Voltage	V _D	1	T _a = 25°C	—	1.7	—	V	
Average Temperature Coefficient Of Output Voltage	T _{CVO}	1	I _{OUT} = 5 mA	—	-0.7	—	mV/°C	

TA78M08F

ELECTRICAL CHARACTERISTICS

(V_{IN} = 14 V, I_{OUT} = 350 mA, 0°C ≤ T_j ≤ 125°C, C_{IN} = 0.33 μF, C_{OUT} = 0.1 μF, unless otherwise specified)

CHARACTERISTIC	SYMBOL	TEST CIR-CUIT	TEST CONDITION	MIN.	TYP.	MAX.	UNIT	
Output Voltage	V _{OUT}	1	T _j = 25°C	7.7	8.0	8.3	V	
Line Regulation	Reg.Line	1	T _j = 25°C	10.5 V ≤ V _{IN} ≤ 25 V I _{OUT} = 200 mA	—	5	100	mV
				11 V ≤ V _{IN} ≤ 25 V I _{OUT} = 200 mA	—	3	50	
Load Regulation	Reg.Load	1	T _j = 25°C	5 mA ≤ I _{OUT} ≤ 500 mA	—	26	160	mV
				5 mA ≤ I _{OUT} ≤ 200 mA	—	10	80	
Output Voltage	V _{OUT}	1	T _j = 25°C	7.6	—	8.4	V	
Quiescent Current	I _B	1	T _j = 25°C	—	4.6	8.0	mA	
Quiescent Current Change	Line	1	11 V ≤ V _{IN} ≤ 25.5 V, I _{OUT} = 200 mA	—	—	0.8	mA	
	Load	1	5 mA ≤ I _{OUT} ≤ 350 mA	—	—	0.5		
Output Noise Voltage	V _{NO}	2	T _a = 25°C, 10 Hz ≤ f ≤ 100 kHz	—	60	250	μV _{rms}	
Ripple Rejection	R.R.	3	f = 120 Hz, I _{OUT} = 50 mA 11.5 V ≤ V _{IN} ≤ 21.5 V, T _j = 25°C	55	62	—	dB	
Short Circuit Current Limit	I _{SC}	1	T _j = 25°C	—	960	—	mA	
Dropout Voltage	V _D	1	T _a = 25°C	—	1.7	—	V	
Average Temperature Coefficient Of Output Voltage	T _{CVO}	1	I _{OUT} = 5 mA	—	-1.0	—	mV/°C	

TA78M09F

ELECTRICAL CHARACTERISTICS

(V_{IN} = 15 V, I_{OUT} = 350 mA, 0°C ≤ T_j ≤ 125°C, C_{IN} = 0.33 μF, C_{OUT} = 0.1 μF, unless otherwise specified)

CHARACTERISTIC	SYMBOL	TEST CIR-CUIT	TEST CONDITION	MIN.	TYP.	MAX.	UNIT	
Output Voltage	V _{OUT}	1	T _j = 25°C	8.64	9.0	9.36	V	
Line Regulation	Reg.Line	1	T _j = 25°C	11.5 V ≤ V _{IN} ≤ 26 V I _{OUT} = 200 mA	—	5	100	mV
				13 V ≤ V _{IN} ≤ 26 V I _{OUT} = 200 mA	—	3	50	
Load Regulation	Reg.Load	1	T _j = 25°C	5 mA ≤ I _{OUT} ≤ 500 mA	—	26	180	mV
				5 mA ≤ I _{OUT} ≤ 200 mA	—	10	90	
Output Voltage	V _{OUT}	1	T _j = 25°C	8.55	—	9.45	V	
Quiescent Current	I _B	1	T _j = 25°C	—	4.6	8.0	mA	
Quiescent Current Change	Line	1	12 V ≤ V _{IN} ≤ 26.5 V, I _{OUT} = 200 mA	—	—	0.8	mA	
	Load	1	5 mA ≤ I _{OUT} ≤ 350 mA	—	—	0.5		
Output Noise Voltage	V _{NO}	2	T _a = 25°C, 10 Hz ≤ f ≤ 100 kHz	—	60	270	μV _{rms}	
Ripple Rejection	R.R.	3	f = 120 Hz, I _{OUT} = 50 mA 12.5 V ≤ V _{IN} ≤ 22.5 V, T _j = 25°C	54	61	—	dB	
Short Circuit Current Limit	I _{SC}	1	T _j = 25°C	—	960	—	mA	
Dropout Voltage	V _D	1	T _a = 25°C	—	1.7	—	V	
Average Temperature Coefficient Of Output Voltage	T _{CVO}	1	I _{OUT} = 5 mA	—	-1.1	—	mV/°C	

TA78M10F

ELECTRICAL CHARACTERISTICS

(V_{IN} = 16 V, I_{OUT} = 350 mA, 0°C ≤ T_j ≤ 125°C, C_{IN} = 0.33 μF, C_{OUT} = 0.1 μF, unless otherwise specified)

CHARACTERISTIC	SYMBOL	TEST CIR-CUIT	TEST CONDITION	MIN.	TYP.	MAX.	UNIT	
Output Voltage	V _{OUT}	1	T _j = 25°C	9.6	10.0	10.4	V	
Line Regulation	Reg.Line	1	T _j = 25°C	12.5 V ≤ V _{IN} ≤ 26 V I _{OUT} = 200 mA	—	6	100	mV
				14 V ≤ V _{IN} ≤ 26 V I _{OUT} = 200 mA	—	3	50	
Load Regulation	Reg.Load	1	T _j = 25°C	5 mA ≤ I _{OUT} ≤ 500 mA	—	26	200	mV
				5 mA ≤ I _{OUT} ≤ 200 mA	—	10	100	
Output Voltage	V _{OUT}	1	T _j = 25°C	9.5	—	10.5	V	
Quiescent Current	I _B	1	T _j = 25°C	—	4.7	8.0	mA	
Quiescent Current Change	Line	1	13 V ≤ V _{IN} ≤ 26.5 V, I _{OUT} = 200 mA	—	—	0.8	mA	
	Load	1	5 mA ≤ I _{OUT} ≤ 350 mA	—	—	0.5		
Output Noise Voltage	V _{NO}	2	T _a = 25°C, 10 Hz ≤ f ≤ 100 kHz	—	65	280	μV _{rms}	
Ripple Rejection	R.R.	3	f = 120 Hz, I _{OUT} = 50 mA 13.5 V ≤ V _{IN} ≤ 23.5 V, T _j = 25°C	52	59	—	dB	
Short Circuit Current Limit	I _{SC}	1	T _j = 25°C	—	960	—	mA	
Dropout Voltage	V _D	1	T _a = 25°C	—	1.7	—	V	
Average Temperature Coefficient Of Output Voltage	T _{CVO}	1	I _{OUT} = 5 mA	—	-1.3	—	mV/°C	

TA78M12F

ELECTRICAL CHARACTERISTICS

($V_{IN} = 19\text{ V}$, $I_{OUT} = 350\text{ mA}$, $0^\circ\text{C} \leq T_j \leq 125^\circ\text{C}$, $C_{IN} = 0.33\ \mu\text{F}$, $C_{OUT} = 0.1\ \mu\text{F}$, unless otherwise specified)

CHARACTERISTIC	SYMBOL	TEST CIR-CUIT	TEST CONDITION	MIN.	TYP.	MAX.	UNIT	
Output Voltage	V_{OUT}	1	$T_j = 25^\circ\text{C}$	11.5	12.0	12.5	V	
Line Regulation	Reg.Line	1	$T_j = 25^\circ\text{C}$	$14.5\text{ V} \leq V_{IN} \leq 30\text{ V}$ $I_{OUT} = 200\text{ mA}$	—	7	100	mV
				$16\text{ V} \leq V_{IN} \leq 30\text{ V}$ $I_{OUT} = 200\text{ mA}$	—	3	50	
Load Regulation	Reg.Load	1	$T_j = 25^\circ\text{C}$	$5\text{ mA} \leq I_{OUT} \leq 500\text{ mA}$	—	27	240	mV
				$5\text{ mA} \leq I_{OUT} \leq 200\text{ mA}$	—	10	120	
Output Voltage	V_{OUT}	1	$T_j = 25^\circ\text{C}$	$14.5\text{ V} \leq V_{IN} \leq 27\text{ V}$ $5\text{ mA} \leq I_{OUT} \leq 350\text{ mA}$	11.4	—	12.6	V
Quiescent Current	I_B	1	$T_j = 25^\circ\text{C}$	—	4.8	8.0	mA	
Quiescent Current Change	Line	ΔI_B	1	$15\text{ V} \leq V_{IN} \leq 30.5\text{ V}$, $I_{OUT} = 200\text{ mA}$	—	—	0.8	mA
	Load	ΔI_{BO}	1	$5\text{ mA} \leq I_{OUT} \leq 350\text{ mA}$	—	—	0.5	
Output Noise Voltage	V_{NO}	2	$T_a = 25^\circ\text{C}$, $10\text{ Hz} \leq f \leq 100\text{ kHz}$	—	70	300	μV_{rms}	
Ripple Rejection	R.R.	3	$f = 120\text{ Hz}$, $I_{OUT} = 50\text{ mA}$ $15\text{ V} \leq V_{IN} \leq 25\text{ V}$, $T_j = 25^\circ\text{C}$	50	57	—	dB	
Short Circuit Current Limit	I_{SC}	1	$T_j = 25^\circ\text{C}$	—	960	—	mA	
Dropout Voltage	V_D	1	$T_a = 25^\circ\text{C}$	—	1.7	—	V	
Average Temperature Coefficient Of Output Voltage	T_{CVO}	1	$I_{OUT} = 5\text{ mA}$	—	-1.6	—	$\text{mV}/^\circ\text{C}$	

TA78M15F

ELECTRICAL CHARACTERISTICS

($V_{IN} = 23\text{ V}$, $I_{OUT} = 350\text{ mA}$, $0^\circ\text{C} \leq T_j \leq 125^\circ\text{C}$, $C_{IN} = 0.33\ \mu\text{F}$, $C_{OUT} = 0.1\ \mu\text{F}$, unless otherwise specified)

CHARACTERISTIC	SYMBOL	TEST CIR-CUIT	TEST CONDITION	MIN.	TYP.	MAX.	UNIT	
Output Voltage	V_{OUT}	1	$T_j = 25^\circ\text{C}$	14.4	15.0	15.6	V	
Line Regulation	Reg.Line	1	$T_j = 25^\circ\text{C}$ $17.5\text{ V} \leq V_{IN} \leq 30\text{ V}$ $I_{OUT} = 200\text{ mA}$	—	8	100	mV	
				—	4	50		
Load Regulation	Reg.Load	1	$T_j = 25^\circ\text{C}$ $5\text{ mA} \leq I_{OUT} \leq 500\text{ mA}$ $5\text{ mA} \leq I_{OUT} \leq 200\text{ mA}$	—	27	300	mV	
				—	10	150		
Output Voltage	V_{OUT}	1	$T_j = 25^\circ\text{C}$ $17.5\text{ V} \leq V_{IN} \leq 30\text{ V}$ $5\text{ mA} \leq I_{OUT} \leq 350\text{ mA}$	14.25	—	15.75	V	
Quiescent Current	I_B	1	$T_j = 25^\circ\text{C}$	—	4.8	8.0	mA	
Quiescent Current Change	Line	ΔI_B	1	$18\text{ V} \leq V_{IN} \leq 30.5\text{ V}$, $I_{OUT} = 200\text{ mA}$	—	—	0.8	mA
	Load	ΔI_{BO}	1	$5\text{ mA} \leq I_{OUT} \leq 350\text{ mA}$	—	—	0.5	
Output Noise Voltage	V_{NO}	2	$T_a = 25^\circ\text{C}$, $10\text{ Hz} \leq f \leq 100\text{ kHz}$	—	80	450	μV_{rms}	
Ripple Rejection	R.R.	3	$f = 120\text{ Hz}$, $I_{OUT} = 50\text{ mA}$ $18.5\text{ V} \leq V_{IN} \leq 28.5\text{ V}$, $T_j = 25^\circ\text{C}$	48	55	—	dB	
Short Circuit Current Limit	I_{SC}	1	$T_j = 25^\circ\text{C}$	—	960	—	mA	
Dropout Voltage	V_D	1	$T_a = 25^\circ\text{C}$	—	1.7	—	V	
Average Temperature Coefficient Of Output Voltage	T_{CVO}	1	$I_{OUT} = 5\text{ mA}$	—	-2.0	—	$\text{mV}/^\circ\text{C}$	

TA78M18F

ELECTRICAL CHARACTERISTICS

(V_{IN} = 27 V, I_{OUT} = 350 mA, 0°C ≤ T_j ≤ 125°C, C_{IN} = 0.33 μF, C_{OUT} = 0.1 μF, unless otherwise specified)

CHARACTERISTIC	SYMBOL	TEST CIR-CUIT	TEST CONDITION	MIN.	TYP.	MAX.	UNIT	
Output Voltage	V _{OUT}	1	T _j = 25°C	17.3	18.0	18.7	V	
Line Regulation	Reg.Line	1	T _j = 25°C	21 V ≤ V _{IN} ≤ 33 V I _{OUT} = 200 mA	—	9	100	mV
				24 V ≤ V _{IN} ≤ 33 V I _{OUT} = 200 mA	—	5	50	
Load Regulation	Reg.Load	1	T _j = 25°C	5 mA ≤ I _{OUT} ≤ 500 mA	—	28	360	mV
				5 mA ≤ I _{OUT} ≤ 200 mA	—	10	180	
Output Voltage	V _{OUT}	1	T _j = 25°C	17.1	—	18.9	V	
Quiescent Current	I _B	1	T _j = 25°C	—	4.8	8.0	mA	
Quiescent Current Change	Line	1	21.5 V ≤ V _{IN} ≤ 33.5 V, I _{OUT} = 200 mA	—	—	0.8	mA	
	Load	1	5 mA ≤ I _{OUT} ≤ 350 mA	—	—	0.5		
Output Noise Voltage	V _{NO}	2	T _a = 25°C, 10 Hz ≤ f ≤ 100 kHz	—	90	490	μV _{rms}	
Ripple Rejection	R.R.	3	f = 120 Hz, I _{OUT} = 50 mA 22 V ≤ V _{IN} ≤ 32V, T _j = 25°C	46	53	—	dB	
Short Circuit Current Limit	I _{SC}	1	T _j = 25°C	—	960	—	mA	
Dropout Voltage	V _D	1	T _a = 25°C	—	1.7	—	V	
Average Temperature Coefficient Of Output Voltage	T _{CVO}	1	I _{OUT} = 5mA	—	-2.5	—	mV/°C	

TA78M20F

ELECTRICAL CHARACTERISTICS

(V_{IN} = 29 V, I_{OUT} = 350 mA, 0°C ≤ T_j ≤ 125°C, C_{IN} = 0.33 μF, C_{OUT} = 0.1 μF, unless otherwise specified)

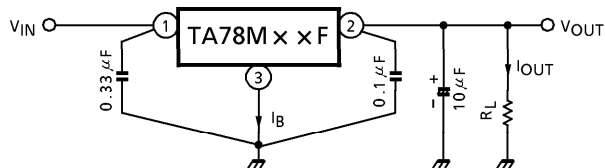
CHARACTERISTIC	SYMBOL	TEST CIR-CUIT	TEST CONDITION	MIN.	TYP.	MAX.	UNIT	
Output Voltage	V _{OUT}	1	T _j = 25°C	19.2	20.0	20.8	V	
Line Regulation	Reg.Line	1	T _j = 25°C	23 V ≤ V _{IN} ≤ 35 V I _{OUT} = 200 mA	—	10	100	mV
				24 V ≤ V _{IN} ≤ 35 V I _{OUT} = 200 mA	—	6	50	
Load Regulation	Reg.Load	1	T _j = 25°C	5 mA ≤ I _{OUT} ≤ 500 mA	—	28	400	mV
				5 mA ≤ I _{OUT} ≤ 200 mA	—	10	200	
Output Voltage	V _{OUT}	1	T _j = 25°C	19.0	—	21.0	V	
Quiescent Current	I _B	1	T _j = 25°C	—	4.9	8.0	mA	
Quiescent Current Change	Line	1	23.5 V ≤ V _{IN} ≤ 35.5 V, I _{OUT} = 200 mA	—	—	0.8	mA	
	Load	1	5 mA ≤ I _{OUT} ≤ 350 mA	—	—	0.5		
Output Noise Voltage	V _{NO}	2	T _a = 25°C, 10 Hz ≤ f ≤ 100 kHz	—	95	540	μV _{rms}	
Ripple Rejection	R.R.	3	f = 120 Hz, I _{OUT} = 50 mA 24 V ≤ V _{IN} ≤ 34 V, T _j = 25°C	46	53	—	dB	
Short Circuit Current Limit	I _{SC}	1	T _j = 25°C	—	960	—	mA	
Dropout Voltage	V _D	1	T _a = 25°C	—	1.7	—	V	
Average Temperature Coefficient Of Output Voltage	T _{CVO}	1	I _{OUT} = 5 mA	—	-3.0	—	mV/°C	

TA78M24F

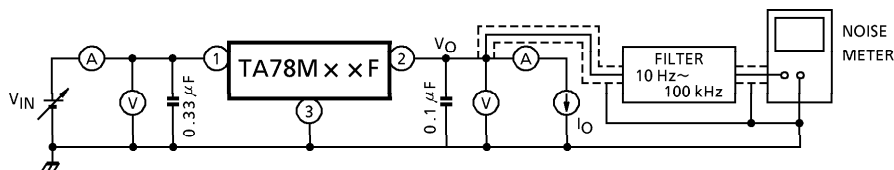
ELECTRICAL CHARACTERISTICS $(V_{IN} = 33\text{ V}, I_{OUT} = 350\text{ mA}, 0^{\circ}\text{C} \leq T_j \leq 125^{\circ}\text{C}, C_{IN} = 0.33\ \mu\text{F}, C_{OUT} = 0.1\ \mu\text{F}, \text{ unless otherwise specified})$

CHARACTERISTIC	SYMBOL	TEST CIR-CUIT	TEST CONDITION	MIN.	TYP.	MAX.	UNIT	
Output Voltage	V_{OUT}	1	$T_j = 25^{\circ}\text{C}$	23.0	24.0	25.0	V	
Line Regulation	Reg.Line	1	$T_j = 25^{\circ}\text{C}$	$27\text{ V} \leq V_{IN} \leq 38\text{ V}$ $I_{OUT} = 200\text{ mA}$	—	12	100	mV
				$28\text{ V} \leq V_{IN} \leq 38\text{ V}$ $I_{OUT} = 200\text{ mA}$	—	7	50	
Load Regulation	Reg.Load	1	$T_j = 25^{\circ}\text{C}$	$5\text{ mA} \leq I_{OUT} \leq 500\text{ mA}$	—	30	480	mV
				$5\text{ mA} \leq I_{OUT} \leq 200\text{ mA}$	—	10	240	
Output Voltage	V_{OUT}	1	$T_j = 25^{\circ}\text{C}$	22.8	—	25.2	V	
Quiescent Current	I_B	1	$T_j = 25^{\circ}\text{C}$	—	5.0	8.0	mA	
Quiescent Current Change	Line	ΔI_B	1	$27.5\text{ V} \leq V_{IN} \leq 38.5\text{ V},$ $I_{OUT} = 200\text{ mA}$	—	—	0.8	mA
	Load	ΔI_{BO}	1	$5\text{ mA} \leq I_{OUT} \leq 350\text{ mA}$	—	—	0.5	
Output Noise Voltage	V_{NO}	2	$T_a = 25^{\circ}\text{C}, 10\text{ Hz} \leq f \leq 100\text{ kHz}$	—	115	650	μV_{rms}	
Ripple Rejection	R.R.	3	$f = 120\text{ Hz}, I_{OUT} = 50\text{ mA}$ $28\text{ V} \leq V_{IN} \leq 38\text{ V}, T_j = 25^{\circ}\text{C}$	46	53	—	dB	
Short Circuit Current Limit	I_{SC}	1	$T_j = 25^{\circ}\text{C}$	—	960	—	mA	
Dropout Voltage	V_D	1	$T_a = 25^{\circ}\text{C}$	—	1.7	—	V	
Average Temperature Coefficient Of Output Voltage	T_{CVO}	1	$I_{OUT} = 5\text{ mA}$	—	-3.5	—	$\text{mV}/^{\circ}\text{C}$	

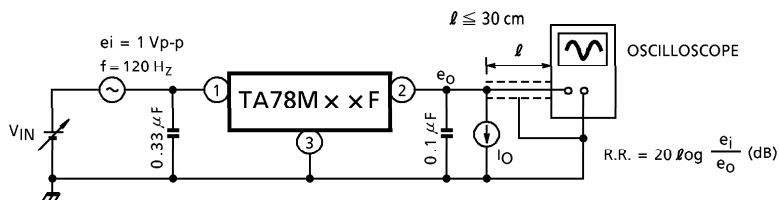
TEST CIRCUIT 1 / STANDARD APPLICATION

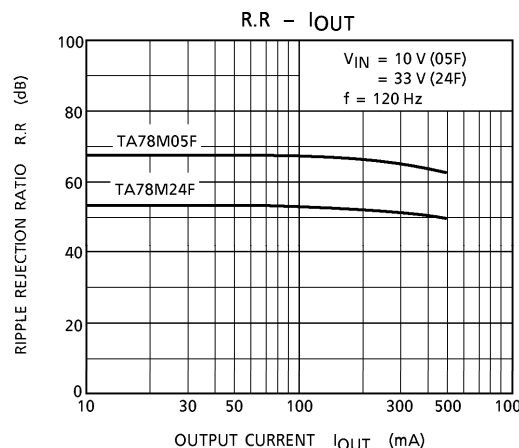
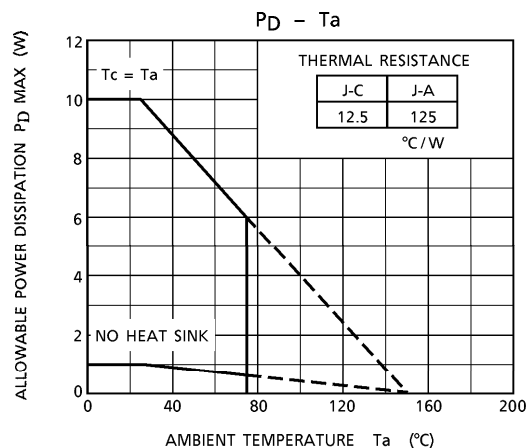
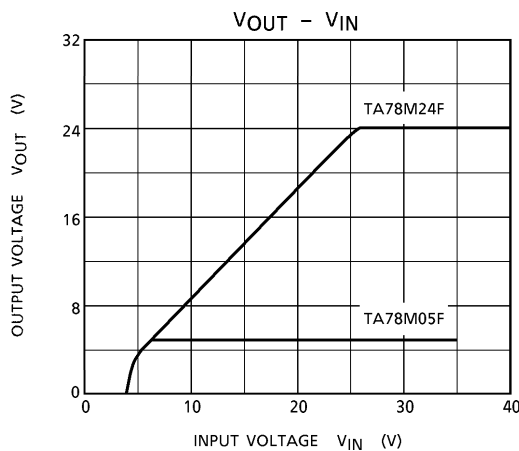
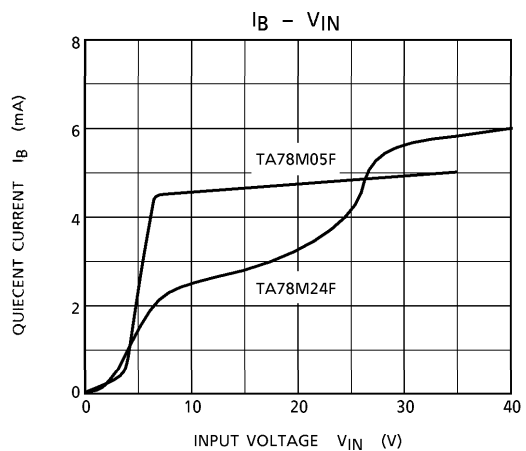
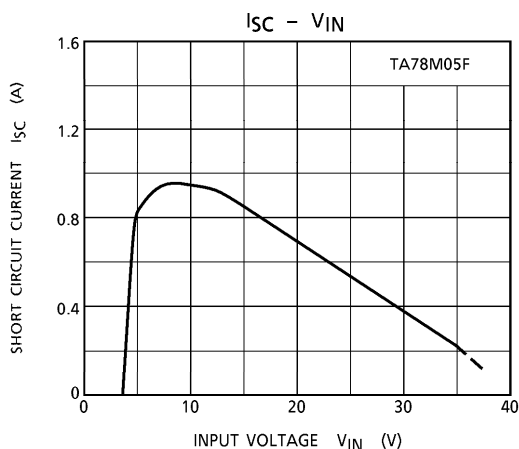
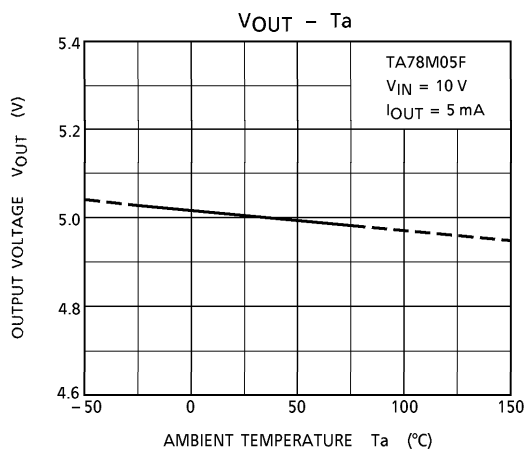


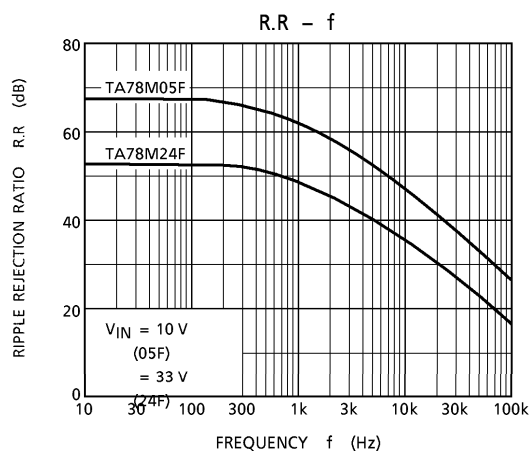
TEST CIRCUIT 2 V_{NO}



TEST CIRCUIT 3 R.R.





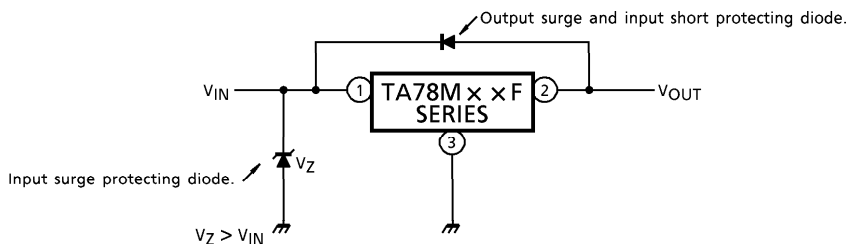


PRECAUTIONS ON APPLICATION

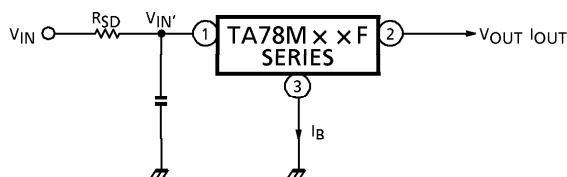
- (1) In regard to GND, be careful not to apply a negative voltage to the input/output terminal. Further, special care is necessary in case of a voltage boost application.
- (2) When a surge voltage exceeding maximum rating is applied to the input terminal or when a voltage in excess of the input terminal voltage is applied to the output terminal, the circuit may be destroyed.
Specially, in the latter case, great care is necessary.

Further, if the input terminal sorts to GND in a state of normal operation, the output terminal voltage becomes higher than the input voltage (GND potential), and the electric charge of a chemical capacitor connected to the output terminal flows into the input side, which may cause the destruction of circuit.

In these cases, take such steps as a zener diode and a general silicon diode are connected to the circuit, as shown in the following figure.



- (3) When the input voltage is too high, the power dissipation of three terminal regulator increases because of series regulator, so that the junction temperature rises. In such a case, it is recommended to reduce the power dissipation by inserting the power limiting resistor R_{SD} in the input terminal, and to reduce the junction temperature as a result.



The power dissipation P_D of IC is expressed in the following equation.

$$P_D = (V_{IN'} - V_{OUT}) \cdot I_{OUT} + V_{IN'} \cdot I_B$$

If $V_{IN'}$ is reduced below the lowest voltage necessary for the IC, the parasitic oscillation will be caused according to circumstances.

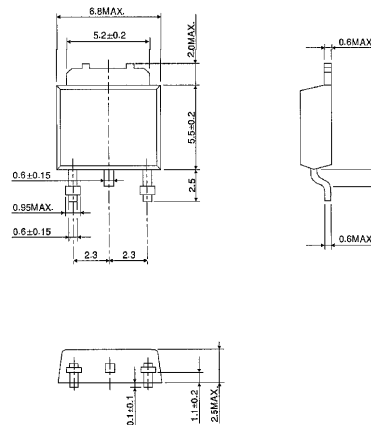
In determining the resistance value of R_{SD} , design with margin should be made by making reference to the following equation.

$$R_{SD} < \frac{V_{IN} - V_{IN'}}{I_{OUT} + I_B}$$

- (4) Connect the input terminal and GND, and the output terminal and GND, by capacitor respectively. The capacitances should be determined experimentally because they depend on printed patterns. In particular, adequate investigation should be made so that there is no problem even at time of high or low temperature.
- (5) The molded plastic portion of this unit, measuring 5.5 mm (L) by 6.5 mm (W) by 2.3 mm (T), is more compact compared to its equivalents TO-220.

The collector fin extends directly out of the main body, and can be soldered directly to the ceramic circuitboard, to significantly increase the collector power dissipation of the collector.

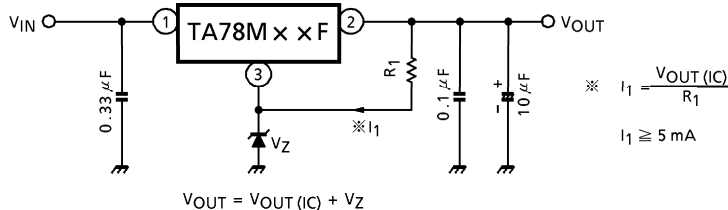
For obtaining high reliability on the heat sink design of the regulator IC, it is generally required to derate more than 20% of maximum junction temperature (T_j MAX.). Further, full consideration should be given to the installation of IC to the heat sink.



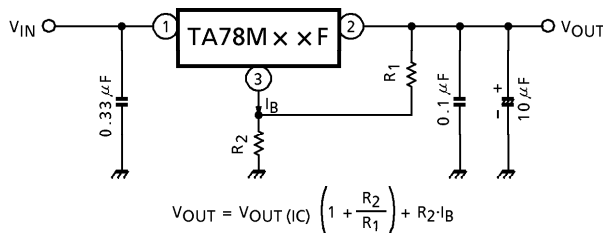
APPLICATION CIRCUITS

(1) **VOLTAGE BOOST REGULATOR**

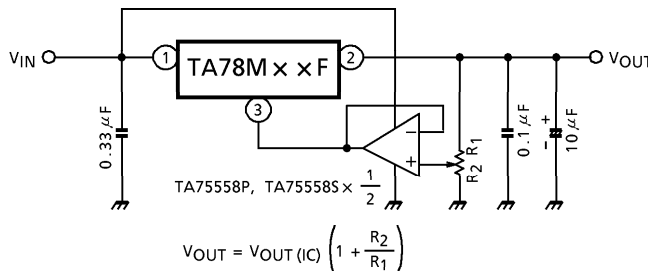
(a) Voltage boost by use of zener diode



(b) Voltage boost by use of resistor

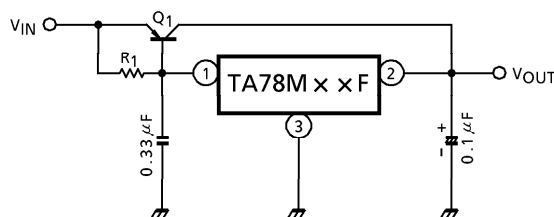


(c) Adjustable output regulator



(2) CURRENT BOOST REGULATOR

(a) CURRENT BOOST VOLTAGE REGULATOR



Heat sink is needed for Q1

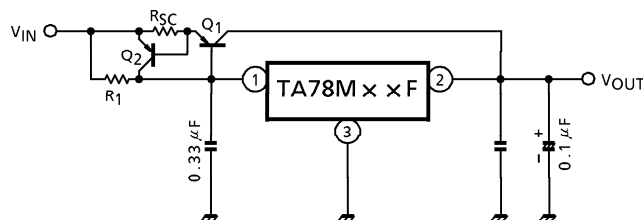
$$R_1 \cong \frac{V_{BE1}}{I_B \text{ MAX}}$$

where,

V_{BE1} : V_{BE} of external transistor Q1.

$I_B \text{ MAX}$: Quiescent current of IC.

(b) SHORT-CIRCUIT PROTECTION

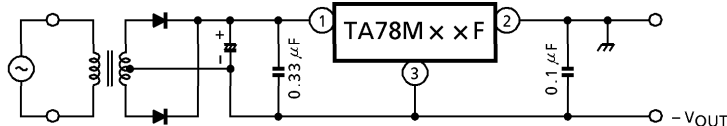


$$R_{SC} = \frac{V_{BE2}}{I_{SC}}$$

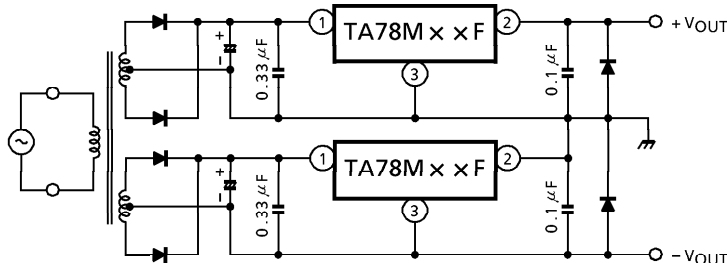
where,

I_{SC} : Short-circuit current

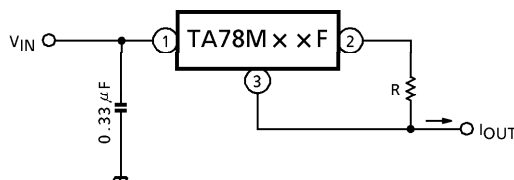
(3) NEGATIVE REGULATOR



(4) POSITIVE AND NEGATIVE REGULATOR



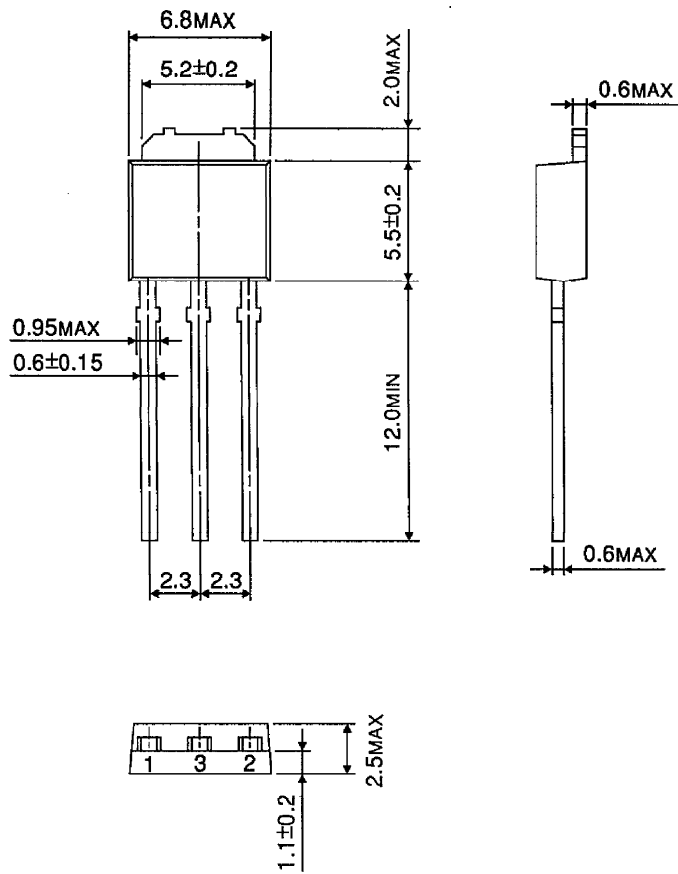
(5) CURRENT REGULATOR



$$I_{OUT} = \frac{V_{OUT}}{R} + I_B$$

OUTLINE DRAWING
HSIP3-P-2.30B

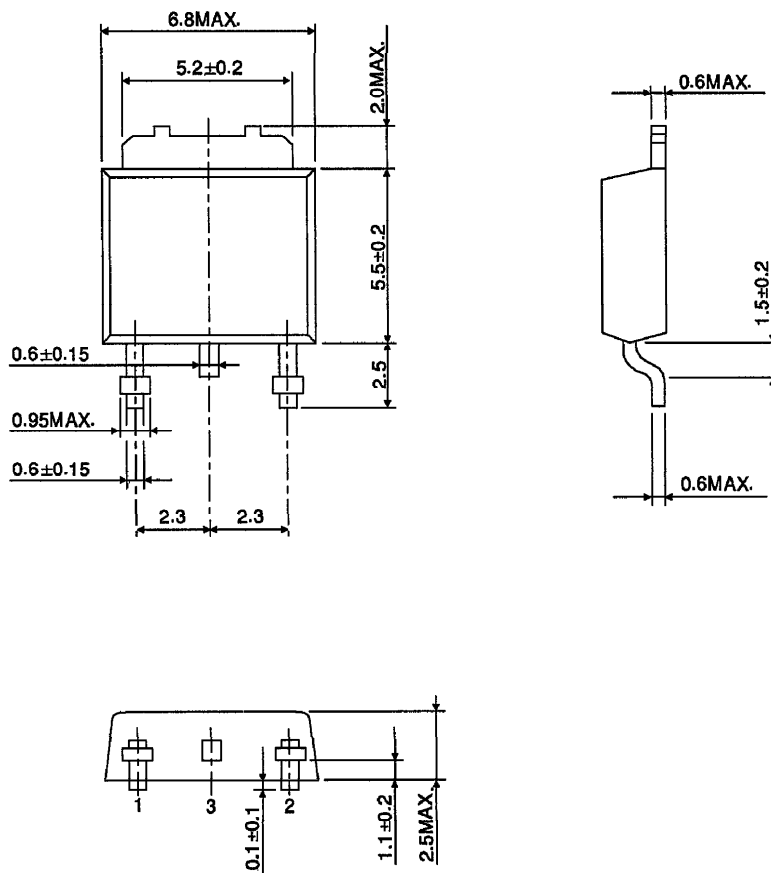
Unit : mm



Weight : 0.36 g (Typ.)

OUTLINE DRAWING
HSOP3-P-2.30A

Unit : mm



Weight : 0.36 g (Typ.)