

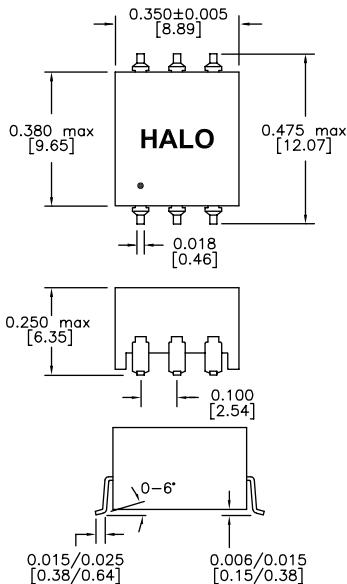
HALO Switched 56 / DDS / DS Interface Modules

HALO ELECTRONICS, INC.

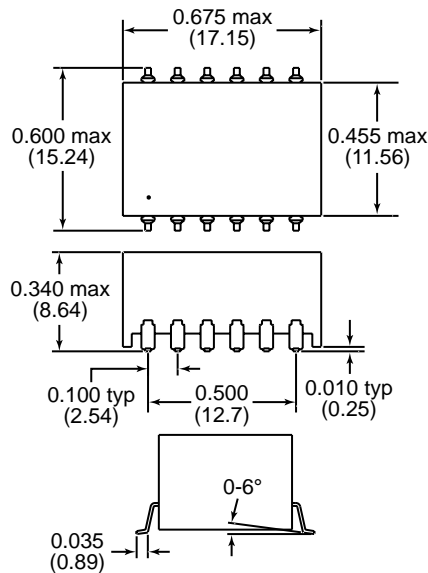
HALO Electronics is pleased to present this standard series of single and dual core Isolation Modules for Switched 56 / DDS / DSU / OCU applications. These compact SMD Modules are designed for use with Level One LXT400 and LXT441 transceivers at data rates of 56Kbps and above. UL1950, IEC950 and EN60950 recognized.



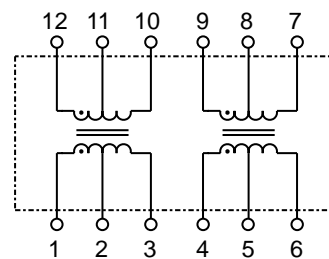
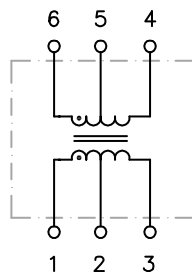
Switched 56 / DDS / DS Interface Modules



DIMENSIONS: Inch[mm]
CO-PLANARITY: 0.004[0.10]



DIMENSIONS : Inch(mm)
CO-PLANARITY : 0.004(0.102)



Electrical Specifications @ 25°C

Isolation Voltage: 1,500 Vrms
 Crosstalk (0.1 - 5MHz): -60dB Typ.
 Longitudinal Balance (30KHz): -40dB Typ.
 Operating Temperature: 0-70° C

Patented Construction

US Pat Nbrs: 5,656,985
 6,297,721 B1
 6,297,720 B1
 6,320,489 B1
 6,344,785 B1

Part Number	PRI OCL (mH min)	Turns Ratio ±1% PRI:SEC	Primary Pins	LL (µH max)	Cw/w (pF max)	PRI DCR (Ω max)	Package
TG04-4004NA	40	1CT:1CT	1-3	40	150	8.0	NA
TG04-4004NC	40	1CT:1CT	1-3 & 4-6	40	150	8.0	NC