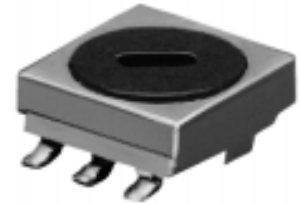
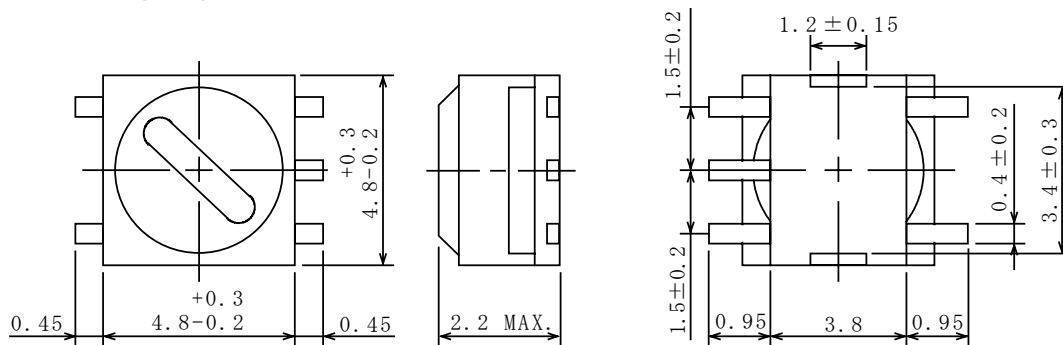


Type: CP-4LB
◆ Product Description

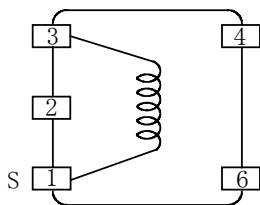
- 6.0×5.1mm Max.(L×W), 2.2mm Max. Height.
- Inductance range:246 μ H Max.
- Operating Frequency:15MHz Max.
- In addition to the reference versions of parameters shown here, custom designs are available to meet your exact requirements.


◆ Feature

- Low profile variable type of tight-space design
- RoHS Compliance

◆ Dimensions (mm)


- * Dimension does not include solder used on coil.
- * Pin pitch shall be measured at the root of terminal.
- * Dimension without tolerance are approx.

◆ Connection (Bottom View)


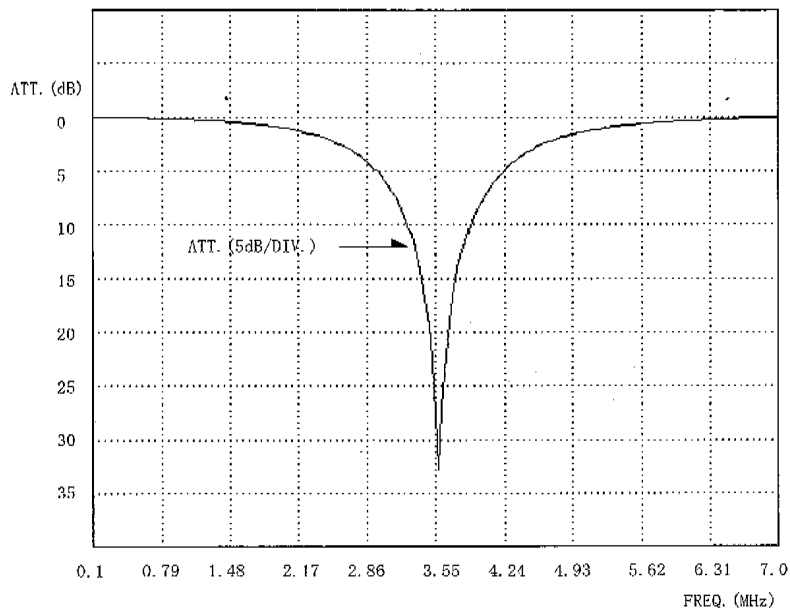
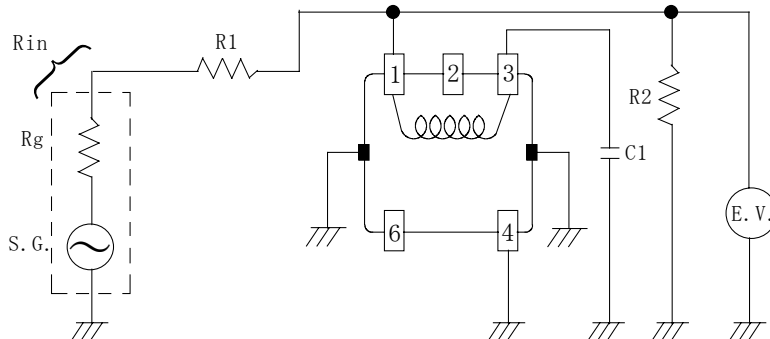
“S” is winding start

Please refer to the sales offices on our website for a representative near you

www.sumida.com

Type: CP-4LB
◆ Specification

1	Input Impedance (Rin)	1 k Ω
2	Output Impedance (Rout)	1 k Ω
3	Center Frequency	3.58 MHz
4	Attenuation 3.58MHz	23dB Min.
5	Insertion Loss 0.1MHz	1.0 dB Max.

◆ Frequency Response(Attenuation 0dB AT 0.1MHz)

◆ Test Circuit


Please refer to the sales offices on our website for a representative near you

www.sumida.com