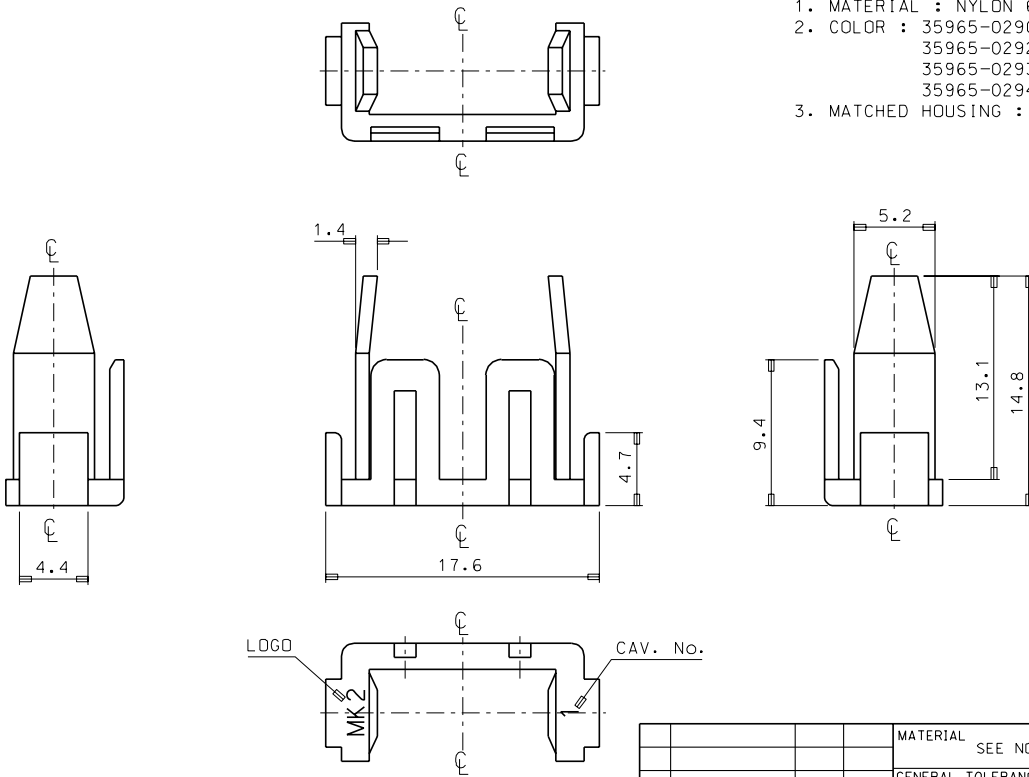
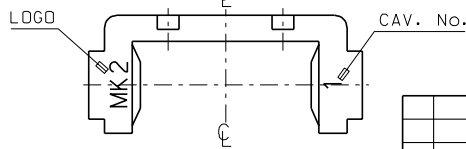


ENG. NO. SD 35965-029\*  
 EDP. NO.  
 SIMILAR ITEM  
 PROJECT NO.

8 7 6 5 4 3 2 1



- NOTES
1. MATERIAL : NYLON 66 (UL94V-2)
  2. COLOR : 35965-0290 (NATURAL)  
 35965-0292 (RED)  
 35965-0293 (YELLOW)  
 35965-0294 (BLUE)
  3. MATCHED HOUSING : 35965-020\*  
 35965-021\*



				MATERIAL SEE NOTES		molex MOLEX-KOREA CO.,LTD.	
				GENERAL TOLERANCE		DRAWN BY J.S.KANG	
				DIMENSION : ±0.3		CHK'D BY	
				ANGLE : ±1°		SCALE 4/1	
				DIMENSION CLASSIFICATION		APPR'D BY	
				▽ : CRITICAL ▼ : MAJOR		TITLE :	
A NEW RELEASED 96 12.12				LTR REVISION RECORD ECN DATE		070 MULTI FEMALE HOUSING T.P.A-2P	
				ASS'Y PART		SHEET 1 of 1	
				DESCRIPTION ENG. NO.		REV A	
REVISE ONLY ON CAD SYSTEM				///		ENG. NO. SD 35965-029*	

s9650290.dgn

THIS DRAWING CONTAINS INFORMATION THAT IS PROPRIETARY TO MOLEX(KOREA) AND SHOULD NOT BE USED WITHOUT WRITTEN PERMISSION MX-A3(ANSI:290,420)