

PLEASE CHECK WWW.MOLEX.COM FOR LATEST PART INFORMATION

Part Number: [0359650292](#)
Status: **Active**
Description: 1.78mm (.070") Tab Multiple Wire-to-Wire Female Housing TPA™, 2 Circuits

Documents:

[Drawing \(PDF\)](#) [RoHS Certificate of Compliance \(PDF\)](#)
[Product Specification PS-35180-002 \(PDF\)](#)

General

Product Family	Accessories
Series	35965
Component Type	Retainer
Product Name	TPA™ - Term Pos Assurance

Physical

Circuits (Loaded)	2
Lock to Mating Part	Yes
Number of Rows	1
Packaging Type	Bag
Temperature Range - Operating	-40°C to +120°C

Material Info

Reference - Drawing Numbers

Product Specification	PS-35180-002
Sales Drawing	SD-35965-029*

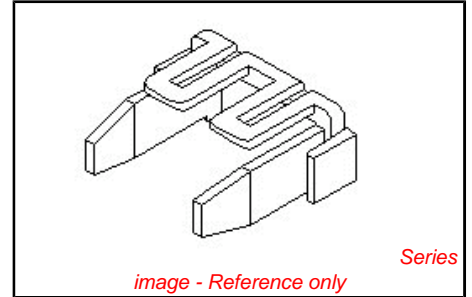


image - Reference only

EU RoHS

ELV and RoHS Compliant
REACH SVHC Contains SVHC: No
Halogen-Free Status
Halogen-Free

China RoHS



Need more information on product environmental compliance?

Email productcompliance@molex.com
 For a multiple part number RoHS Certificate of Compliance, [click here](#)

Please visit the [Contact Us](#) section for any non-product compliance questions.

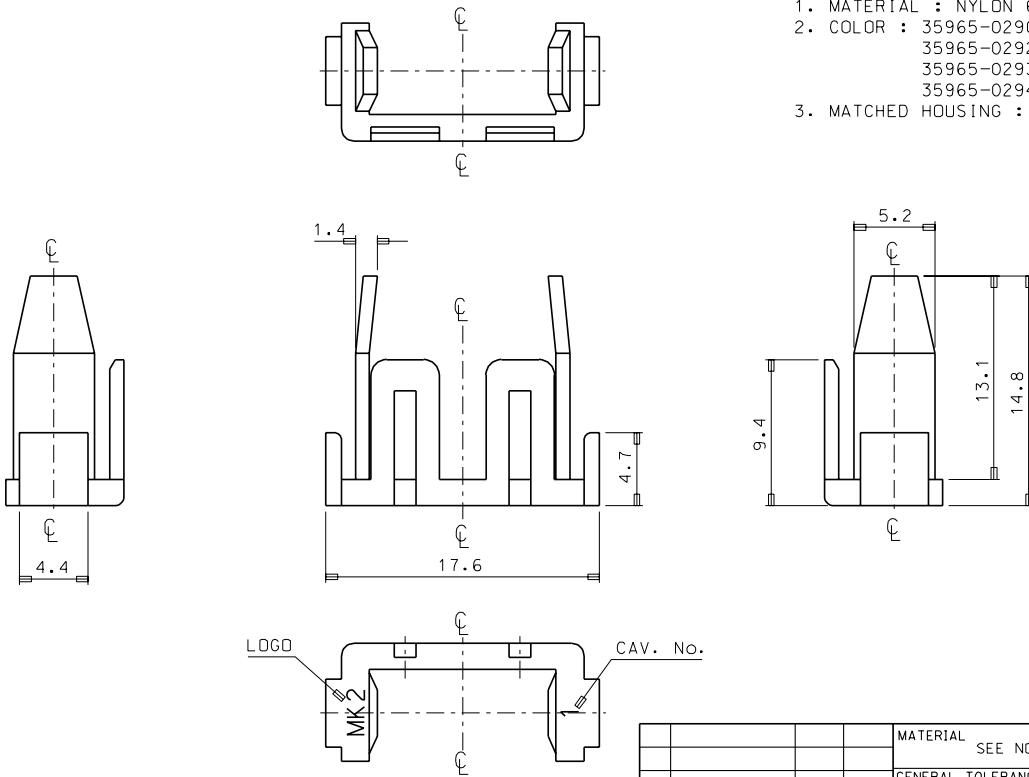
Search Parts in this Series
[35965Series](#)

Use With
[35965 Wire-to-Wire Female Housing](#)

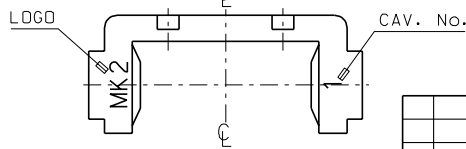
PLEASE CHECK WWW.MOLEX.COM FOR LATEST PART INFORMATION

ENG. NO. SD 35965-029*
 EDP. NO.
 SIMILAR ITEM
 PROJECT NO.

8 7 6 5 4 3 2 1



- NOTES
1. MATERIAL : NYLON 66 (UL94V-2)
 2. COLOR : 35965-0290 (NATURAL)
 35965-0292 (RED)
 35965-0293 (YELLOW)
 35965-0294 (BLUE)
 3. MATCHED HOUSING : 35965-020*
 35965-021*



				MATERIAL SEE NOTES		molex MOLEX-KOREA CO.,LTD.	
				GENERAL TOLERANCE		DRAWN BY J.S.KANG	
				DIMENSION : ±0.3		CHK'D BY	
				ANGLE : ±1°		SCALE 4/1	
				DIMENSION CLASSIFICATION		APPR'D BY	
				▽ : CRITICAL ▼ : MAJOR		TITLE :	
A NEW RELEASED 96 12.12				LTR REVISION RECORD ECN DATE		070 MULTI FEMALE HOUSING T.P.A-2P	
				ASS'Y PART		SHEET 1 of 1	
				DESCRIPTION ENG. NO.		REV A	
REVISE ONLY ON CAD SYSTEM				///		ENG. NO. SD 35965-029*	

s9650290.dgn

THIS DRAWING CONTAINS INFORMATION THAT IS PROPRIETARY TO MOLEX(KOREA) AND SHOULD NOT BE USED WITHOUT WRITTEN PERMISSION MX-A3(ANSI:Z90,420)