

PLEASE CHECK WWW.MOLEX.COM FOR LATEST PART INFORMATION

Part Number: [0359650210](#)
Status: **Active**
Description: 1.78mm (.070") Tab Multiple Wire-to-Wire Female Housing, 2 Circuits, Vertical, B-Type

Documents:

[Drawing \(PDF\)](#) [RoHS Certificate of Compliance \(PDF\)](#)
[Product Specification PS-35180-002 \(PDF\)](#)

Agency Certification

UL E29179

General

Product Family Crimp Housings
 Series [35965](#)
 Product Name N/A

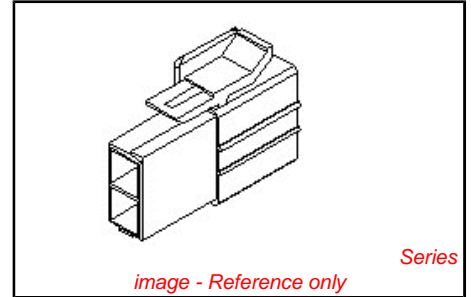
Physical

Circuits (maximum) 2
 Gender Female
 Glow-Wire Compliant No
 Number of Rows 2
 Packaging Type Bag
 Panel Mount No
 Pitch - Mating Interface (in) 0.315 In
 Pitch - Mating Interface (mm) 8.00 mm
 Stackable No
 Temperature Range - Operating -40°C to +120°C

Material Info

Reference - Drawing Numbers

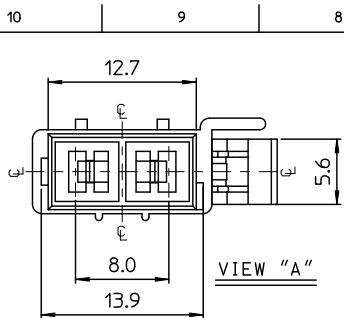
Product Specification PS-35180-002
 Sales Drawing SD-35965-021*



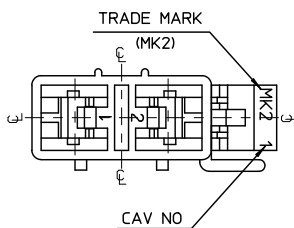
<p>EU RoHS ELV and RoHS Compliant REACH SVHC Not Reviewed Halogen-Free Status Not Reviewed</p>	<p>China RoHS</p> 
<p>Need more information on product environmental compliance?</p> <p>Email productcompliance@molex.com For a multiple part number RoHS Certificate of Compliance, click here</p> <p>Please visit the Contact Us section for any non-product compliance questions.</p>	

<p>Search Parts in this Series 35965Series</p>
<p>Mates With 35180</p>
<p>Use With 35746</p>

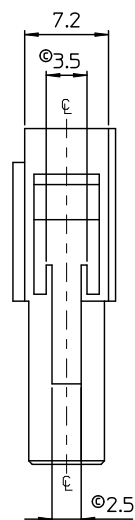
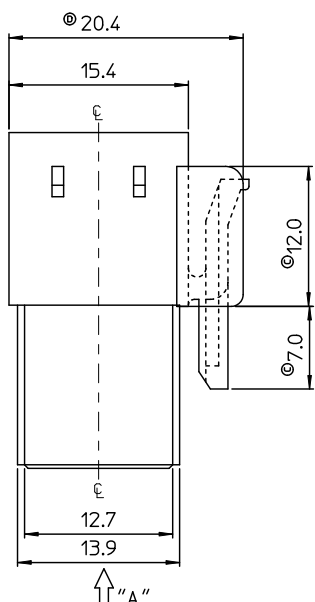
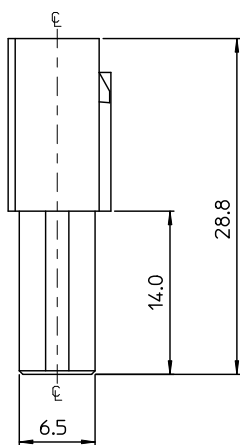
PLEASE CHECK WWW.MOLEX.COM FOR LATEST PART INFORMATION



VIEW "A"



- NOTES.
1. MATERIAL & COLOR : SEE TABLE
 2. MATED HOUSING : 35180-040*
35180-060*
 3. APPLICABLE TERMINAL : 35745-0*10
 4. APPLICABLE T.P.A : 35965-029*
 5. PRODUCT SPECIFICATION : PS-35180-002



No.	PBT(UL94V-0)		PC/PET(UL94V-0)	
	MATERIAL	COLOR	MATERIAL	COLOR
1	35965-0210	NATURAL	35965-9210	NATURAL
2	35965-0212	RED	35965-9212	RED
3	35965-0213	YELLOW	35965-9213	YELLOW
4	35965-0214	BLUE	35965-9214	BLUE

REVISED EC NO: KOR2010-0186 DRAWN: JHPARK01 2010/05/17 CHKD: SJCHU 2010/05/17 APPR: YUNSI.LK 2010/05/18	QUALITY SYMBOLS ▽=0 ▽=0	GENERAL TOLERANCES (UNLESS SPECIFIED)		DIMENSION STYLE MM ONLY		SCALE 3:1	DESIGN UNITS METRIC	THIRD ANGLE PROJECTION	
		4 PLACES ± --- ± ---	mm INCH	DRAWN BY JS.KANG	DATE 1995/09/28	TITLE 070 MULTI FEMALE HSG 2P(B)			
		3 PLACES ± --- ± ---		CHECKED BY BK. CHOI	DATE 1995/09/28	MOLEX INCORPORATED			
		2 PLACES ± --- ± ---		APPROVED BY CW.LEE	DATE 1995/09/28	MATERIAL NO. SEE TABLE	DOCUMENT NO. SD-35965-021*	SHEET NO. 1 OF 01	
1 PLACE ± 0.3 ± ---		ANGULAR ± 1 °		DRAFT WHERE APPLICABLE MUST REMAIN WITHIN DIMENSIONS					