

PLEASE CHECK WWW.MOLEX.COM FOR LATEST PART INFORMATION

Part Number: [0357501210](#)
Status: **Active**
Description: Ring Tongue Terminal for 14-18 AWG (0.75~2.08mm²), Stud Size 8 M4, Tin Plating

Documents:

[Drawing \(PDF\)](#) [RoHS Certificate of Compliance \(PDF\)](#)
[Product Specification PS-35750-0300 \(PDF\)](#)

Agency Certification

UL E134962

General

Product Family	Ring and Spade Terminals
Series	35750
Crimp Quality Equipment	Yes
Mil-Spec	N/A
Product Name	N/A
Type	Ring

Physical

Barrel Type	Open
Insulation	None
Material - Plating Mating	Tin
Packaging Type	Reel
Plating min: Mating (µin)	40
Plating min: Mating (µm)	1
Plating min: Termination (µin)	40
Plating min: Termination (µm)	1
Stud Size	8 (M4)
Temperature Range - Operating	-40°C to +105°C
Termination Interface: Style	Crimp or Compression
Wire Insulation Diameter	3.20mm (.126") max.
Wire Size AWG	14, 16, 18
Wire Size mm ²	0.75 - 2.08

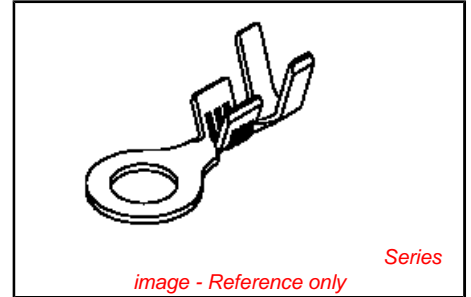
Electrical

Voltage - Maximum 300V AC

Material Info

Reference - Drawing Numbers

Product Specification	PS-35750-0300
Sales Drawing	SD-35750-12*0



<p>EU RoHS ELV and RoHS Compliant REACH SVHC Contains SVHC: No Halogen-Free Status Halogen-Free</p>	<p>China RoHS</p>
--	--------------------------

Need more information on product environmental compliance?

Email productcompliance@molex.com
 For a multiple part number RoHS Certificate of Compliance, [click here](#)

Please visit the [Contact Us](#) section for any non-product compliance questions.

Search Parts in this Series
[35750Series](#)

PLEASE CHECK WWW.MOLEX.COM FOR LATEST PART INFORMATION

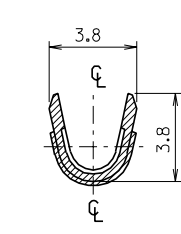
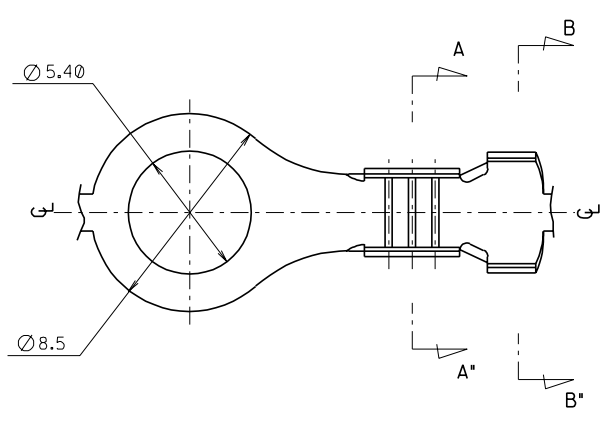
DO NOT SCALE DRAWING DIMENSION IN METRIC

PROJECT NO.

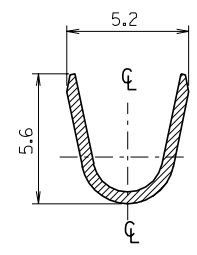
SIMILAR ITEM

EDP NO.

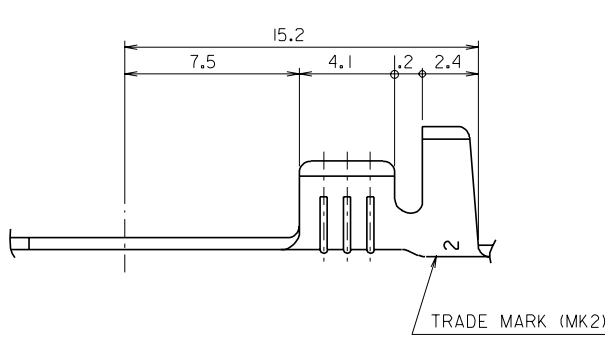
ENG. NO. SD_35750-12*0



SECTION:A-A'



SECTION:B-B'



NOTES

1. MATERIAL: BRASS 0.5 THK'
2. FINISH: 35750-1200: NONE
35750-1210: POST-TIN PLATING
35723-1004: TIN LEAD PLATING
3. RECOMMENDED LENGTH OF WIRE STRIP IS 5.4-6.0

ASS'Y PART		QTY/REEL OR PACK	SURFACE AREA	MATERIAL	SEE NOTE	WIRE RANGE	GENERAL TOLERANCES	MOLEX MOLEX-KOREA CO.,LTD.						
DESCRIPTION	ENG. NO.	5,000 Q'TY /REEL	MM ²			AWG: #18-#14	DIM. : ±0.3 ANGLE : ±0.2							
		DIE NO.	LAYOUT NO.	DIMENSION CLASSIFICATION <input checked="" type="checkbox"/> : CRITICAL <input checked="" type="checkbox"/> : MAJOR <input type="checkbox"/> : MINOR () : REFERENCE		INSULATION RANGE	REVISE ONLY ON CAD SYSTEM							
		WIRE CRIMP WIDTH	INS. CRIMP WIDTH	DRAWN BY	CHK'D BY		TITLE: Ø 5.4 RING TERMINAL							
				W.Y.YANG	B.K.CHOI		ENG.NO. SD 35750-12*0							
LTR	REVISION RECORD	ECN	DR/CHK	DATE	DIE FEED	APPL FEED	WBDW	IBDW	APP'D BY	SCALE	CAD (6:1)	INSULATION RANGE	Ø3.2 MAX.	REV C

8 7 6 5 4 3 2 1

MK-9