

PLEASE CHECK WWW.MOLEX.COM FOR LATEST PART INFORMATION

Part Number: [0357501010](#)
Status: **Active**
Description: Ring Tongue Terminal for 14-18 AWG (0.75~2.08mm²), Stud Size 8 M4, Tin Plating

Documents:

[Drawing \(PDF\)](#) [RoHS Certificate of Compliance \(PDF\)](#)
[Product Specification PS-35750-0300 \(PDF\)](#)

Agency Certification

UL E134962

General

Product Family Ring and Spade Terminals
 Series [35750](#)
 Crimp Quality Equipment Yes
 Mil-Spec N/A
 Product Name N/A
 Type Ring

Physical

Barrel Type Open
 Insulation None
 Material - Plating Mating Tin
 Packaging Type Reel
 Stud Size 8 (M4)
 Temperature Range - Operating -40°C to +105°C
 Termination Interface: Style Crimp or Compression
 Wire Insulation Diameter 3.20mm (.126") max.
 Wire Size AWG 14, 16, 18
 Wire Size mm² 0.75 - 2.08

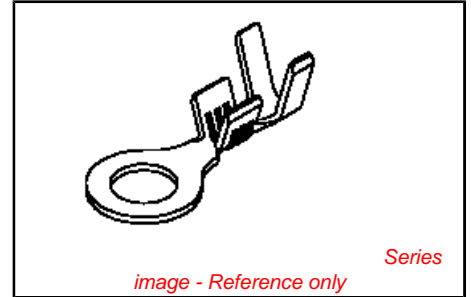
Electrical

Voltage - Maximum 300V AC

Material Info

Reference - Drawing Numbers

Product Specification PS-35750-0300
 Sales Drawing SD-35750-001



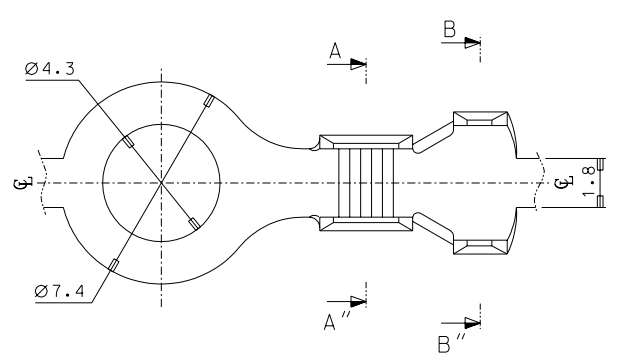
<p>EU RoHS ELV and RoHS Compliant REACH SVHC Contains SVHC: No Halogen-Free Status Halogen-Free</p>	<p>China RoHS</p>
--	--------------------------

Need more information on product environmental compliance?
 Email productcompliance@molex.com
 For a multiple part number RoHS Certificate of Compliance, [click here](#)
 Please visit the [Contact Us](#) section for any non-product compliance questions.

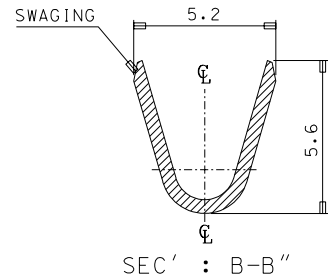
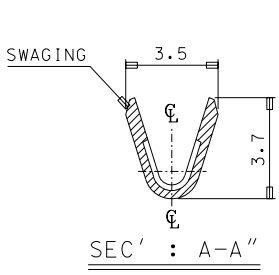
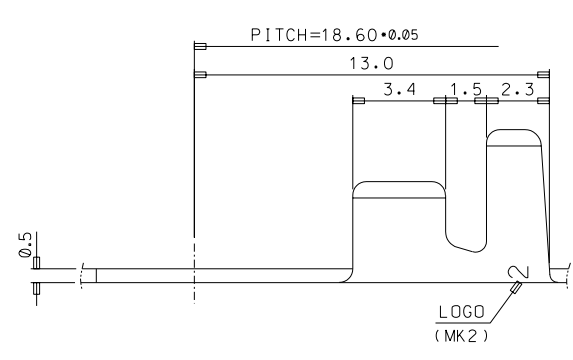
Search Parts in this Series
[35750Series](#)

PLEASE CHECK WWW.MOLEX.COM FOR LATEST PART INFORMATION

PROJECT NO. SD-35750-001
 SIMILAR ITEM Ø4.3 RING TERMINAL
 DO NOT SCALE DRAWING DIMENSION IN METRIC



- NOTES
1. MATERIAL : BRASS , 0.5mm THICKNESS
 2. FINISH : 35750-1000 (UNPLATED)
 35750-1010 (PRE-PLATED TIN)
 35723-0804 (POST-PLATED TIN-LEAD)
 3. RECOMMENDED LENGTH OF WIRE STRIP IS 4.8-5.4mm.
 4. APPLICABLE WIRE : AWG #18-#14 (0.75-2.08mm²)
 INSULATION DIA. : Ø3.2mm MAX.



REDRAWN EC NO. KDR2005-0017 DRWN: C. B. CHIN 04/08/23 CHK: W. Y. YANG APPR: C. W. LEE	QUALITY SYMBOLS MAJOR = 0 CRITICAL = 0	GENERAL TOLERANCES: (UNLESS SPECIFIED)		SCALE 7:1	DESIGN UNITS <input checked="" type="checkbox"/> mm <input type="checkbox"/> INCH	THIRD ANGLE PROJECTION <input checked="" type="checkbox"/> THIRD ANGLE <input type="checkbox"/> FIRST ANGLE	DIMENSIONS: <input type="checkbox"/> mm <input type="checkbox"/> INCH <input checked="" type="checkbox"/> mm ONLY	SHT	REV	
		DRAWN BY & DATE J. S. KANG 97/12/04		CHECKED BY & DATE B. K. CHOI 97/12/04		APPROVED BY & DATE C. W. LEE 97/12/04		TITLE: Ø4.3 RING TERMINAL		
		CAD FILENAME s7501000.dgn		MATERIAL NO. SEE NOTES		DRAWING NO. SD-35750-001		SHEET NO. 1 of 1		
		DRAFT WHERE APPLICABLE MUST REMAIN WITHIN DIMENSIONS		THIS DRAWING CONTAINS INFORMATION THAT IS PROPRIETARY TO MOLEX INCORPORATED AND SHOULD NOT BE USED WITHOUT WRITTEN PERMISSION.						

Rev.A Released 2002/04/19