

**PLEASE CHECK WWW.MOLEX.COM FOR LATEST PART INFORMATION**

**Part Number:** [0357253410](#)  
**Status:** **Active**  
**Description:** 6.35mm (.250") Tab Slip-In Wire-to-Wire Terminal, Female, 14-18 AWG, Post-Tin Plated

**Documents:**

[Drawing \(PDF\)](#) [Product Specification PS-49559-001 \(PDF\)](#)  
[Product Specification PS-35725-001 \(PDF\)](#) [RoHS Certificate of Compliance \(PDF\)](#)

**General**

Product Family	Crimp Terminals
Series	35725
Crimp Quality Equipment	Yes
Product Name	N/A

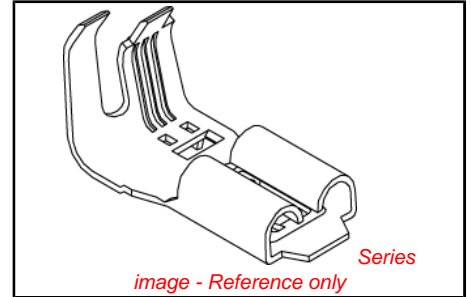
**Physical**

Gender	Female
Material - Metal	Brass
Material - Plating Mating	Tin
Material - Plating Termination	Tin
Packaging Type	Reel
Plating min: Mating (µin)	39
Plating min: Mating (µm)	1
Wire Insulation Diameter	3.80mm (.150") max.
Wire Size AWG	14, 16, 18
Wire Size mm <sup>2</sup>	N/A

**Material Info**

**Reference - Drawing Numbers**

Product Specification PS-35725-001, PS-49559-001



**EU RoHS**

**ELV and RoHS Compliant**  
**REACH SVHC**  
**Contains SVHC: No**  
**Halogen-Free Status**  
**Halogen-Free**

**China RoHS**



**Need more information on product environmental compliance?**

Email [productcompliance@molex.com](mailto:productcompliance@molex.com)  
 For a multiple part number RoHS Certificate of Compliance, [click here](#)

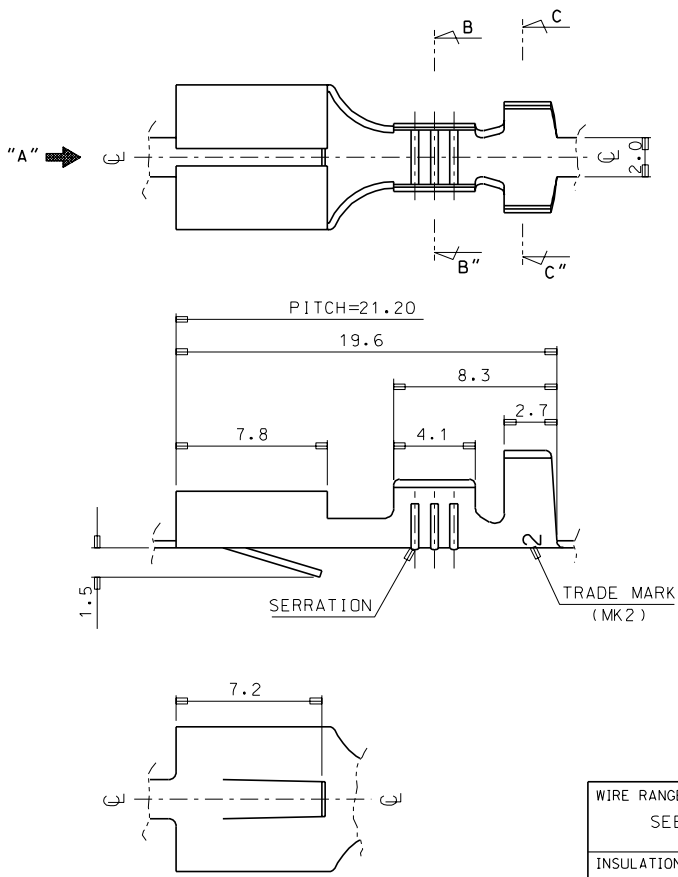
Please visit the [Contact Us](#) section for any non-product compliance questions.

**Search Parts in this Series**  
[35725Series](#)

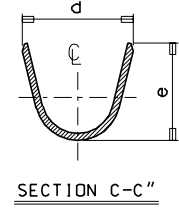
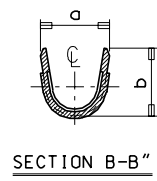
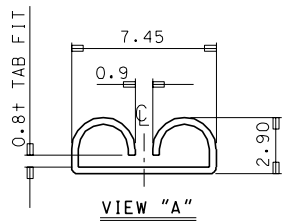
**Mates With**  
[35725-14xx|35725-15xx](#)

**PLEASE CHECK WWW.MOLEX.COM FOR LATEST PART INFORMATION**

ENG. NO. SD 35725-3\*\*0  
 EDP. NO.  
 SIMILAR ITEM  
 PROJECT NO. .250 SLIP-IN REC'



- NOTES
1. MATERIAL : BRASS, 0.35mm THICKNESS  
THICKNESS : 0.35 mm
  2. FINISH : UNPLATED(35725-3300/3400/3500)  
POST-TIN PLATING(35725-3310/3410/3510)
  3. RECOMMENDED LENGTH OF WIRE STRIP IS 5.2-5.8 mm



ENG. NO.	a	b	d	e	WIRE RANGE	O'TY/REEL
35725-33*0	5.2	4.6	6.3	6.3	AWG #14-#10	4,000
35725-34*0	3.5	3.5	5.7	5.0	AWG #18-#14	5,000
35725-35*0	2.85	2.9	3.8	3.8	AWG #22-#20	5,000

WIRE RANGE SEE TABLE					MATERIAL SEE NOTES	MOLEX MOLEX-KOREA CO.,LTD.	
INSULATION RANGE ---	B	REVISED	95-007	95.1.17	GENERAL TOLERANCE DIMENSION : 1Pics:±0.30 ANGLE : 2Pics:±0.20	DRAWN BY J.S.KANG	CHK'D BY
DIE FEED: ---	A	CAD REDRAWING		93-6-3	DIMENSION CLASSIFICATION ▽: CRITICAL ▼: MAJOR ◇: REFERENCE	APP'D BY	SCALE 5:1(CAD)
APPLICATOR FEED: 21.2	LTR	REVISION RECORD	ECN	DATE	ASS'Y PART	TITLE; .250 SLIP-IN REC'	
O'TY/ REEL OR PACK SEE TABLE	REVISE ONLY ON CAD SYSTEM				DESCRIPTION	ENG. NO. SD 35725-3**0	SHEET 1 OF 1 REV B

THIS DRAWING CONTAINS INFORMATION THAT IS PROPRIETARY TO MOLEX(KOREA) AND SHOULD NOT BE USED WITHOUT WRITTEN PERMISSION  
 MX-A3(ANSI:290,420)