

**PLEASE CHECK WWW.MOLEX.COM FOR LATEST PART INFORMATION**

**Part Number:** [0351820392](#)  
**Status:** **Active**  
**Description:** 1.78mm (.070") Tab, 8.50mm (.335") Pitch Wire-to-Wire Female Housing TPA™, 3 Circuits, Vertical, Red

**Documents:**

<a href="#">Drawing (PDF)</a>	<a href="#">Product Specification PS-35182-003 (PDF)</a>
<a href="#">Product Specification PS-35180-002 (PDF)</a>	<a href="#">RoHS Certificate of Compliance (PDF)</a>
<a href="#">Product Specification PS-35180-003 (PDF)</a>	

**General**

Product Family	Accessories
Series	<a href="#">35182</a>
Component Type	Retainer
Product Name	TPA™ - Term Pos Assurance

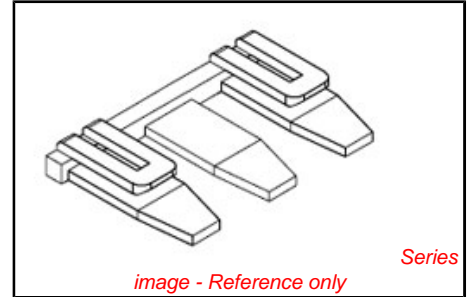
**Physical**

Circuits (Loaded)	3
Color - Resin	Red
Lock to Mating Part	Yes
Material - Resin	Nylon
Number of Rows	1
Packaging Type	Bag
Temperature Range - Operating	-40°C to +120°C

**Material Info**

**Reference - Drawing Numbers**

Product Specification	PS-35180-002, PS-35180-003, PS-35182-003
Sales Drawing	SD-35182-039*



*image - Reference only*

**EU RoHS**

**ELV and RoHS Compliant**

**REACH SVHC**

**Contains SVHC: No**

**Halogen-Free**

**Status**

**Halogen-Free**

**Need more information on product environmental compliance?**

Email [productcompliance@molex.com](mailto:productcompliance@molex.com)  
 For a multiple part number RoHS Certificate of Compliance, [click here](#)

Please visit the [Contact Us](#) section for any non-product compliance questions.

**China RoHS**



**Search Parts in this Series**

[35182Series](#)

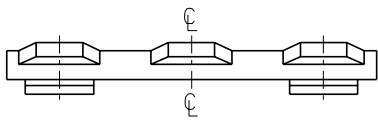
**Use With**

[35180 Wire-to-Wire Male Housing](#)

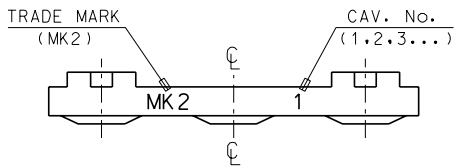
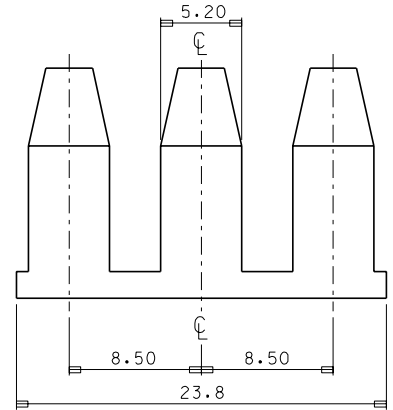
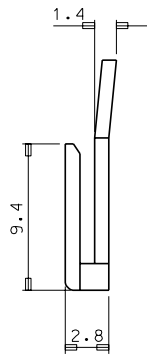
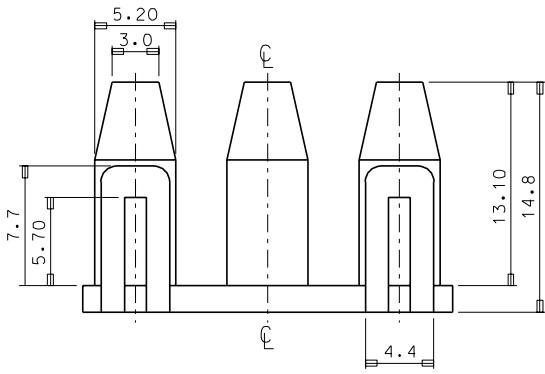
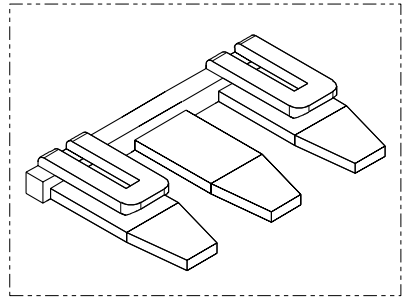
**PLEASE CHECK WWW.MOLEX.COM FOR LATEST PART INFORMATION**

PROJECT NO. : 070 MULTI CONN  
 SIMILAR ITEM  
 EDP NO.  
 ENG. NO. SD 35182-039\*

8 7 6 5 4 3 2 1



- NOTES
1. MATERIAL : NYLON 66 (UL94V-2)
  2. COLOR : 35182-0390 (NATURAL)  
 35182-0392 (RED)  
 35182-0393 (YELLOW)  
 35182-0394 (BLUE)
  3. MATCHED HOUSING : 35180-0600



				MATERIAL SEE NOTES		molex MOLEX-KOREA CO.,LTD.	
				GENERAL TOLERANCE		DRAWN BY J.S.KANG	
				DIMENSION : ±0.3		CHK'D BY	
				ANGLE : ±1°		SCALE 4/1	
				DIMENSION CLASSIFICATION		APP'D BY	
				▽ : CRITICAL ▼ : MAJOR		TITLE :	
A NEW RELEASED PDR 94-041 95.9.28				LTR REVISION RECORD ECN DATE		HOUSING T.P. A-3P	
				ASS'Y PART		SHEET 1 of 1	
				DESCRIPTION ENG. NO.		REV A	
REVISE ONLY ON CAD SYSTEM				---		ENG. NO. SD 35182-039*	

s1820390.dgn

THIS DRAWING CONTAINS INFORMATION THAT IS PROPRIETARY TO MOLEX(KOREA) AND SHOULD NOT BE USED WITHOUT WRITTEN PERMISSION MX-A3(ANSI:290,420)