

PLEASE CHECK WWW.MOLEX.COM FOR LATEST PART INFORMATION

Part Number: [0351820292](#)
Status: **Active**
Description: 1.78mm (.070") Tab, 8.70mm (.343") Pitch Wire-to-Wire Male Housing TPA™, 2 Circuits, Vertical

Documents:

Drawing (PDF)	Product Specification PS-35182-003 (PDF)
Product Specification PS-35180-002 (PDF)	RoHS Certificate of Compliance (PDF)

General

Product Family	Accessories
Series	35182
Component Type	Retainer
Product Name	TPA™ - Term Pos Assurance

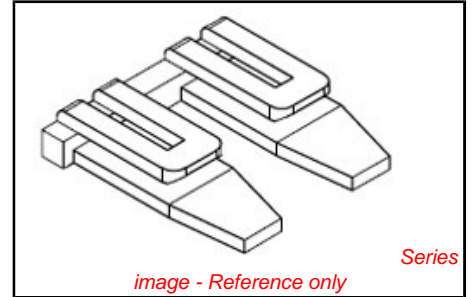
Physical

Circuits (Loaded)	2
Color - Resin	Natural
Lock to Mating Part	Yes
Material - Resin	Nylon
Number of Rows	1
Packaging Type	Bag
Temperature Range - Operating	-40°C to +120°C

Material Info

Reference - Drawing Numbers

Product Specification	PS-35180-002, PS-35182-003
Sales Drawing	SD-35182-029*



EU RoHS

ELV and RoHS Compliant
REACH SVHC Contains SVHC: No
Halogen-Free Status
Halogen-Free

China RoHS



Need more information on product environmental compliance?

Email productcompliance@molex.com
 For a multiple part number RoHS Certificate of Compliance, [click here](#)

Please visit the [Contact Us](#) section for any non-product compliance questions.

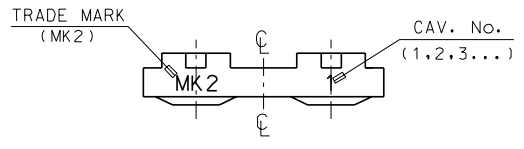
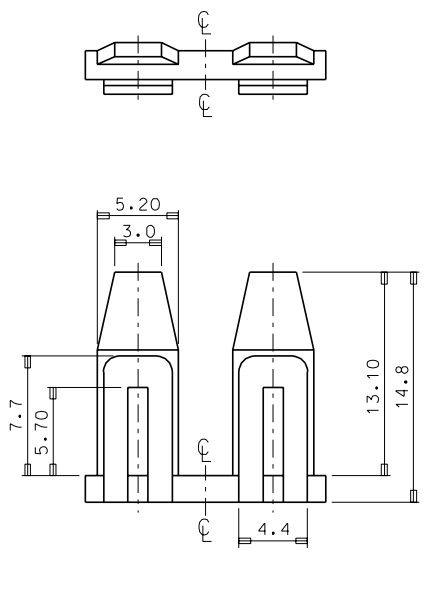
Search Parts in this Series
[35182Series](#)

Use With
 35180 Wire-to-Wire Male Housing

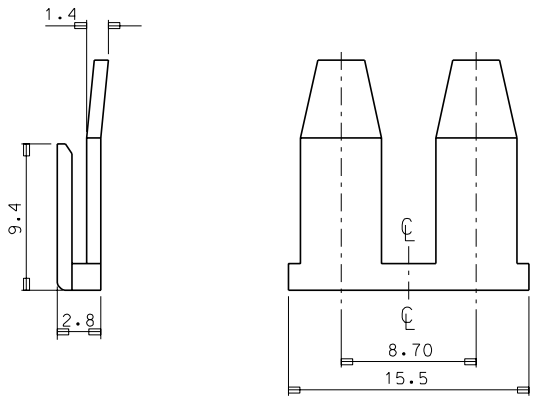
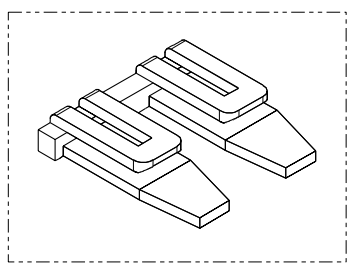
PLEASE CHECK WWW.MOLEX.COM FOR LATEST PART INFORMATION

ENG. NO. SD 35182-029*
 EDP. NO.
 SIMILAR ITEM
 PROJECT NO. 070 MULTI CONN*

8 7 6 5 4 3 2 1



- NOTES
1. MATERIAL : NYLON 66 (UL94V-2)
 2. COLOR : 35182-0290 (NATURAL)
 35182-0292 (RED)
 35182-0293 (YELLOW)
 35182-0294 (BLUE)
 3. MATCHED HOUSING : 35180-040*



				MATERIAL SEE NOTES		molex MOLEX-KOREA CO.,LTD.	
				GENERAL TOLERANCE		DRAWN BY J.S.KANG	
				DIMENSION : ±0.3		CHK'D BY	
				ANGLE : ±1°		SCALE 4/1	
				DIMENSION CLASSIFICATION		APPR'D BY	
				▽ : CRITICAL ▼ : MAJOR		TITLE : .070 MULTI MALE HOUSING T.P. A-2P	
				□ : REFERENCE		SHEET 1 of 1	
A	NEW RELEASED	PDR 94-044	95 9.28	ASS'Y PART		ENG. NO. SD 35182-029*	
LTR	REVISION RECORD	ECN	DATE	DESCRIPTION ENG. NO.		REV A	
REVISE ONLY ON CAD SYSTEM				---		---	

s1820290.dgn

THIS DRAWING CONTAINS INFORMATION THAT IS PROPRIETARY TO MOLEX(KOREA) AND SHOULD NOT BE USED WITHOUT WRITTEN PERMISSION MX-A3(ANSI:Z90,420)