

PLEASE CHECK WWW.MOLEX.COM FOR LATEST PART INFORMATION

Part Number: [0351510610](#)
Status: **Active**
Overview: [versablade](#)
Description: 7.30mm (.287") Pitch Wire-to-Wire VersaBlade™ Hybrid Receptacle Housing, 6 Circuits, Polyester UL94V-0, Natural

Documents:

[3D Model](#) [Product Specification PS-35150-003 \(PDF\)](#)
[Drawing \(PDF\)](#) [RoHS Certificate of Compliance \(PDF\)](#)

Agency Certification

CSA LR19980
TUV R72090206
UL E29179

General

Product Family Crimp Housings
Series [35151](#)
Comments Polarized to Mating Part, Positive Lock
Overview [versablade](#)
Product Name VersaBlade™

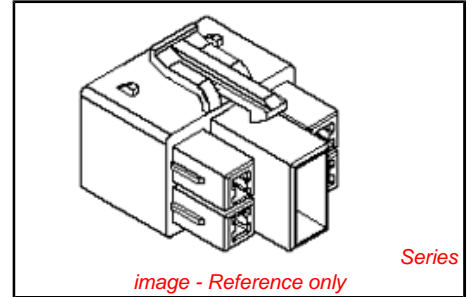
Physical

Circuits (maximum) 6
Color - Resin Natural
Flammability 94V-0
Gender Female
Glow-Wire Compliant No
Keying to Mating Part None
Lock to Mating Part Yes
Material - Resin Polyester
Number of Rows 2
Packaging Type Bag
Panel Mount No
Pitch - Mating Interface (in) 0.287 In
Pitch - Mating Interface (mm) 7.30 mm
Polarized to Mating Part Yes
Stackable No
Temperature Range - Operating -40°C to +120°C

Material Info

Reference - Drawing Numbers

Product Specification PS-35150-003
Sales Drawing SD-35151-061*



EU RoHS

ELV and RoHS Compliant
REACH SVHC Not Reviewed
Halogen-Free Status Not Reviewed

China RoHS



Need more information on product environmental compliance?

Email productcompliance@molex.com
For a multiple part number RoHS Certificate of Compliance, [click here](#)

Please visit the [Contact Us](#) section for any non-product compliance questions.

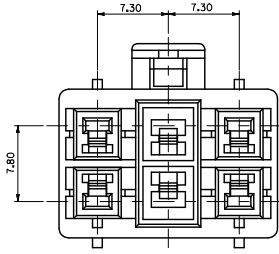
Search Parts in this Series
[35151Series](#)

Mates With
[35151-0610](#) Receptacle Housing,
[35151-0614](#) Receptacle Housing

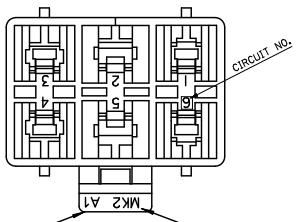
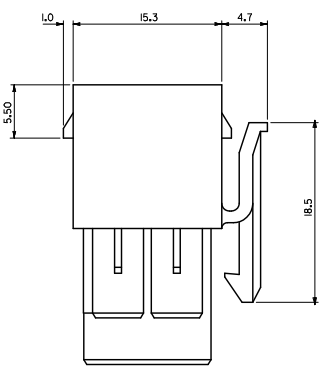
Use With
VersaBlade™ Crimp Terminals, [35745](#) ,
[35747](#) , [35748](#)

PLEASE CHECK WWW.MOLEX.COM FOR LATEST PART INFORMATION

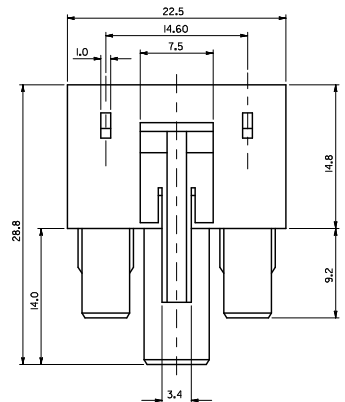
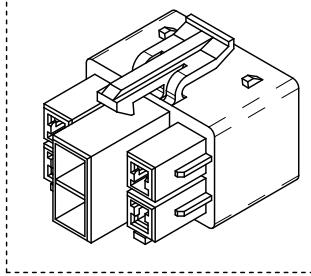
10 9 8 7 6 5 4 3 2 1



VIEW "A"



© TOOL & CAVITY NO (TOOL:A.B. CAV:1.2.) TRADE MARK (MK2)



- NOTES
1. MATERIAL AND COLOR : SEE "TABLE"
 2. MATED HOUSING : 35150-#60*/35150-#61*
35150-039* (TPA)
 3. APPLICABLE TERMINAL : 35745-**** (2.5 CIRCUIT)
35746-**** (3.4 CIRCUIT)
©35748-**** (1.6 CIRCUIT)

No.	PRODUCT	MATERIAL
1	35151-0610	NATURAL
2	35151-0612	RED
3	35151-0614	BLUE
4	35151-0619	NATURAL
5	35151-3619	YELLOW
6	35151-4619	BLUE

REVISED EC NO: KOR2010-0093 DRAWN: HPARK01 2009/12/22 CHKD: WY. YANG 2009/12/22 APPR: YUNSTIKIM 2009/12/22	QUALITY SYMBOLS	GENERAL TOLERANCES (UNLESS SPECIFIED)	DIMENSION STYLE	SCALE	DESIGN UNITS	THIRD ANGLE PROJECTION
	▽=0 ▽=0	4 PLACES ± --- ± --- 3 PLACES ± --- ± --- 2 PLACES ± 0.15 ± --- ± --- 1 PLACE ± 0.20 ± --- ± --- ANGULAR ± 1/2°	MM ONLY	1:1	METRIC	
	DRAFT WHERE APPLICABLE MUST REMAIN WITHIN DIMENSIONS	DRAWN BY: WY. YANG DATE: 1992/09/14 CHECKED BY: BK. CHOI DATE: 1992/09/14 APPROVED BY:	TITLE: 7.3 PITCH W/W FEMALE HOUSING-6P	MOLEX INCORPORATED		
	MATERIAL NO. SEE TABLE	DOCUMENT NO. SD-35151-061*	SHEET NO. 1 OF 01	THIS DRAWING CONTAINS INFORMATION THAT IS PROPRIETARY TO MOLEX INCORPORATED AND SHOULD NOT BE USED WITHOUT WRITTEN PERMISSION		

9 8 7 6 5 4 3 2 1