

**PLEASE CHECK WWW.MOLEX.COM FOR LATEST PART INFORMATION**

**Part Number:** [0351500400](#)  
**Status:** **Active**  
**Overview:** [versablade](#)  
**Description:** 6.20mm (.244") Pitch Wire-to-Wire VersaBlade™ Hybrid Plug Housing, without Mounting Ears, 4 Circuits, Polyester UL94V-0, Natural

**Documents:**

[3D Model](#) [RoHS Certificate of Compliance \(PDF\)](#)  
[Drawing \(PDF\)](#)

**Agency Certification**

CSA LR19980  
TUV R72090206  
UL E29179

**General**

Product Family Crimp Housings  
Series [35150](#)  
Comments Polarized to Mating Part, Positive Lock  
Overview [versablade](#)  
Product Name VersaBlade™

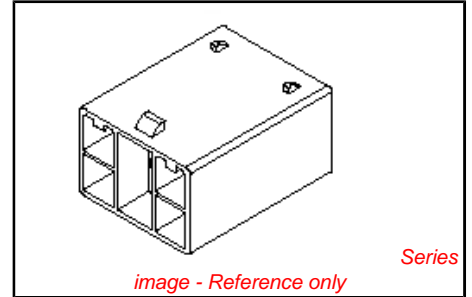
**Physical**

Breakaway No  
Circuits (maximum) 4  
Color - Resin Natural  
Flammability 94V-0  
Gender Female  
Glow-Wire Compliant No  
Keying to Mating Part None  
Lock to Mating Part Yes  
Material - Resin Polyester  
Number of Rows 2  
Packaging Type Bag  
Panel Mount No  
Pitch - Mating Interface (in) 0.244 In, 0.350 In  
Pitch - Mating Interface (mm) 6.20 mm, 8.90 mm  
Polarized to Mating Part Yes  
Stackable No  
Temperature Range - Operating -40°C to +120°C

**Material Info**

**Reference - Drawing Numbers**

Sales Drawing SD-35150-0400



**EU RoHS**  
**ELV and RoHS**  
**Compliant**  
**REACH SVHC**  
Not Reviewed  
**Halogen-Free**  
**Status**  
**Not Reviewed**

**China RoHS**



**Need more information on product environmental compliance?**

Email [productcompliance@molex.com](mailto:productcompliance@molex.com)  
For a multiple part number RoHS Certificate of Compliance, [click here](#)

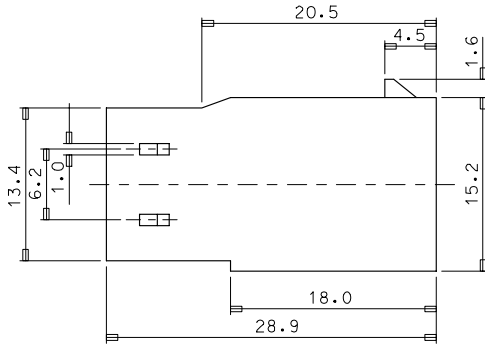
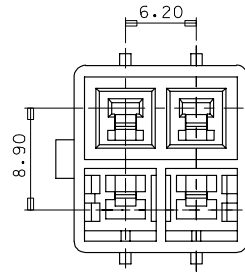
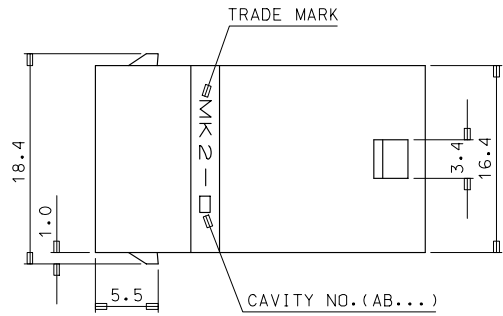
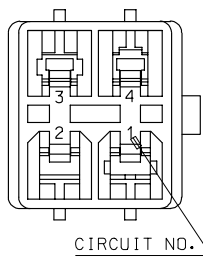
Please visit the [Contact Us](#) section for any non-product compliance questions.

**Search Parts in this Series**  
[35150Series](#)

**Mates With**  
[35151-0410 Plug Housing](#)

**Use With**  
VersaBlade™ Crimp Terminals, [35745](#) ,  
[35747](#) , [35746](#) , [35748](#) . [351500290 TPA™](#)

**PLEASE CHECK WWW.MOLEX.COM FOR LATEST PART INFORMATION**



NOTES

- MATED HOUSING: 35151-0410
- APPLICABLE TERMINAL: 35745-\*\*\*\* (1CKT)  
35746-\*\*\*\* (3CKT)  
35747-\*\*\*\* (2CKT)  
35748-\*\*\*\* (4CKT)
- APPLICABLE T.P.A: 35150-0290

NO	PRODUCT		MATERIAL	
	PART NO	MATERIAL NO	COLOR	DESCRIPTION
1	35150-0400	351500400	NATURAL	PBT (UL94V-0)
2	35150-0404	351500404	BLUE	
3	35150-0409	351500409	NATURAL	PBT/PC(UL94V-0)

REVISED  
EC NO: KOR2008-0048  
EC DRWN: JHPARK01 2007/09/10  
CHK: CHIKHWY YANG 2007/09/10  
APPR: TUNSIKIM 2007/09/10

QUALITY SYMBOLS	GENERAL TOLERANCES (UNLESS SPECIFIED)	
	mm	INCH
▽=0	4 PLACES ± ---	± ---
▽=0	3 PLACES ± ---	± ---
	2 PLACES ± ---	± ---
	1 PLACE ± 0.3	± ---
	ANGULAR ± 1°	

DRAFT WHERE APPLICABLE MUST REMAIN WITHIN DIMENSIONS

DIMENSION STYLE		SCALE	DESIGN UNITS	THIRD ANGLE PROJECTION
MM ONLY	DATE	3:1	METRIC	
DRAWN BY	DATE	TITLE		
WY. YANG		6.2 PITCH W/W MALE HOUSING-4P		
CHECKED BY	DATE	MOLEX INCORPORATED		
BK. CHOI				
APPROVED BY	DATE	SD-35150-0400		

MATERIAL NO.	DOCUMENT NO.	SHEET NO.
SEE TABLE	SD-35150-0400	1 OF 01

THIS DRAWING CONTAINS INFORMATION THAT IS PROPRIETARY TO MOLEX INCORPORATED AND SHOULD NOT BE USED WITHOUT WRITTEN PERMISSION