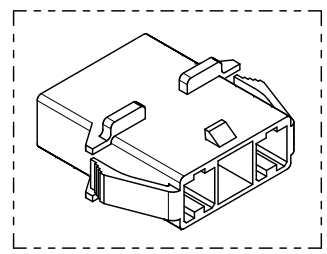
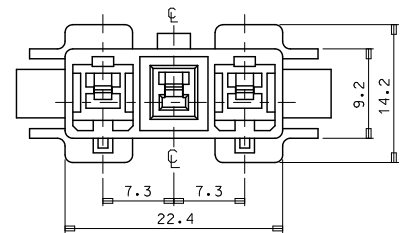
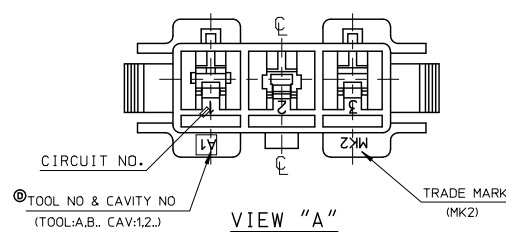
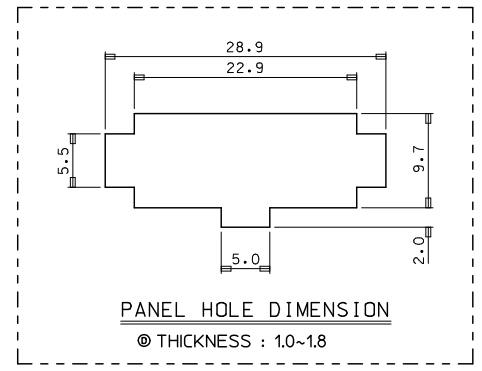
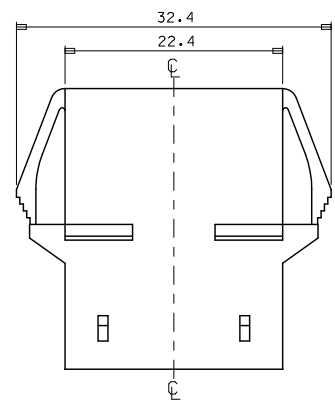
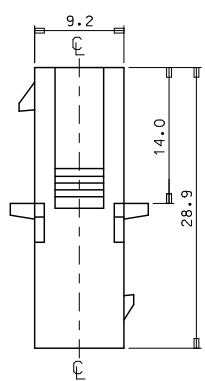


10 9 8 7 6 5 4 3 2 1



- NOTES.
1. MATERIAL & COLOR : SEE TABLE
  2. MATED HOUSING : 35151-031\*
  3. APPLICABLE TERMINAL : 35745-0\*10 (1 CIRCUIT)  
35746-0\*10 (2 CIRCUIT)  
35747-0\*10 (3 CIRCUIT)
  4. APPLICABLE T.P.A : 35150-039\*
  5. PRODUCT SPECIFICATION : PS-35150-003



NO	PRODUCT		MATERIAL
	PART NO	COLOR	DESCRIPTION
1	35150-0310	NATURAL	POLYESTER (PBT) (UL94V-0)
2	35150-0314	BLUE	
3	35150-0319	NATURAL	PC/PET (UL94V-0)
4	35150-2319	RED	
5	35150-3319	YELLOW	
6	35150-4319	BLUE	

REVISED E.C. NO.: KOR2010-0092 DRAWN: JHPARK01 2010/01/14 CHKD: KY. YANG 2010/01/14 APPR: YUNSIKKIM 2010/01/14	QUALITY SYMBOLS ▽=0 ▽=0	GENERAL TOLERANCES (UNLESS SPECIFIED)		DIMENSION STYLE MM ONLY	SCALE 1:1	DESIGN UNITS METRIC	THIRD ANGLE PROJECTION		
		4 PLACES ± --- ± --- 3 PLACES ± --- ± --- 2 PLACES ± --- ± --- 1 PLACE ± 0.3 ± ---	mm INCH	DRAWN BY JS. KANG	DATE	TITLE 7.3 PITCH W/W CONN MALE HSG-3P(W/EAR)			
		DRAFT WHERE APPLICABLE MUST REMAIN WITHIN DIMENSIONS		APPROVED BY	DATE	MOLEX INCORPORATED			
				MATERIAL NO. SEE TABLE	DATE	DOCUMENT NO. SD-35150-031*	SHEET NO. 1 OF 01		

THIS DRAWING CONTAINS INFORMATION THAT IS PROPRIETARY TO MOLEX INCORPORATED AND SHOULD NOT BE USED WITHOUT WRITTEN PERMISSION

9 8 7 6 5 4 3 2 1