

ENG. NO.  
SD 35150-029\*

EDP NO.

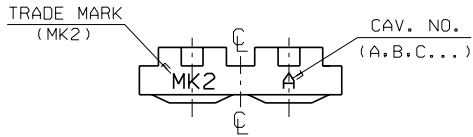
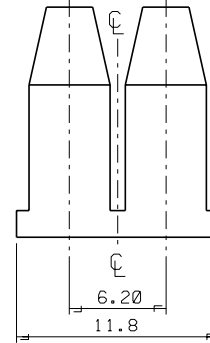
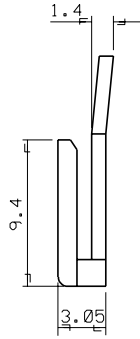
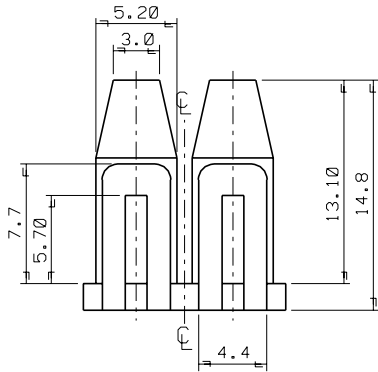
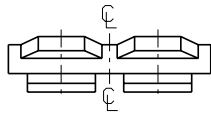
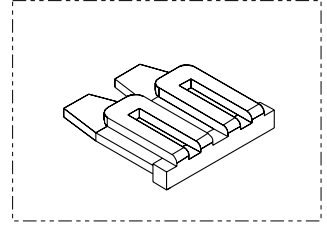
SIMILAR ITEM

PROJECT NO.  
-070 W/W CONN'

8 7 6 5 4 3 2 1

NOTES

1. MATERIAL : NYLON 66 (UL94V-2)
2. COLOR : 35150-0290 (NATURAL)  
35150-0292 (RED)  
35150-0293 (YELLOW)  
35150-0294 (BLUE)
3. MATCHED HOUSING : 35150-020\*/021\*  
35151-021\*  
35150-040\*/041\*  
35151-041\*



				MATERIAL SEE NOTES		molex MOLEX-KOREA CO.,LTD.	
				GENERAL TOLERANCE DIMENSION : +0.3		DRAWN BY J.S.KANG	
				ANGLE : +1°		CHK'D BY	
				DIMENSION CLASSIFICATION		SCALE 4/1	
				▽ : CRITICAL ▼ : MAJOR		TITLE :	
A NEW RELEASED				95 3.10		6.2 PITCH W/W CONN'	
LTR REVISION RECORD ECN DATE				ASS'Y PART		T.P.A - 2P	
REVISION RECORD ECN DATE				DESCRIPTION ENG. NO.		SHEET 1 OF 1	
REVISE ONLY ON CAD SYSTEM				---		ENG. NO. SD 35150-029*	
				---		REV A	

THIS DRAWING CONTAINS INFORMATION THAT IS PROPRIETARY TO MOLEX(KOREA) AND SHOULD NOT BE USED WITHOUT WRITTEN PERMISSION MX-A3(ANSI:Z90,420)

S1500290.DGN