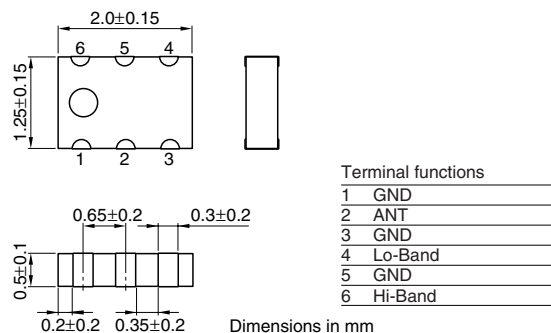


Multilayer Chip Diplexers For 2.4/5GHz W-LAN

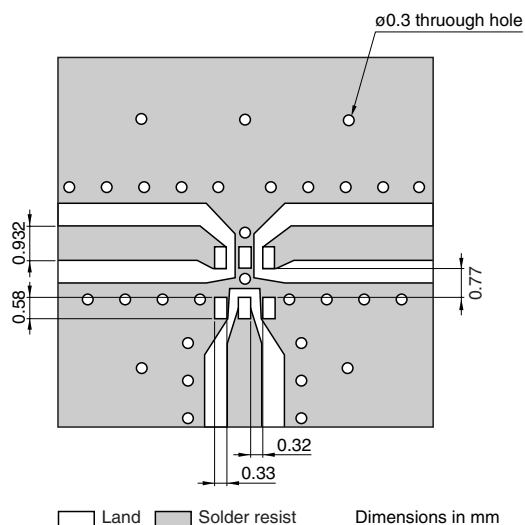
Conformity to RoHS Directive

DPX Series DPX205950DT-9126A1

SHAPES AND DIMENSIONS



RECOMMENDED PC BOARD PATTERNS



ELECTRICAL CHARACTERISTICS

Item	Port	Frequency range		Minimum value	Typical value	Maximum value
Insertion loss	Lo-band	[2400 to 2500MHz]	(dB)	—	0.3	0.5
	Hi-band	[4900 to 5950MHz]	(dB)	—	0.37	0.65
Return loss	ANT	[2400 to 2500MHz]	(dB)	10.0	18.4	—
	ANT	[4900 to 5950MHz]	(dB)	10.0	17.1	—
	Lo	[2400 to 2500MHz]	(dB)	10.0	17.1	—
	Hi	[4900 to 5950MHz]	(dB)	10.0	15.9	—
Attenuation	Lo-band	[4800 to 5000MHz]	(dB)	20.0	36.0	—
	Lo-band	[7200 to 7500MHz]	(dB)	20.0	31.6	—
	Hi-band	[824 to 915MHz]	(dB)	20.0	26.9	—
	Hi-band	[1800 to 2500MHz]	(dB)	20.0	27.6	—
	Hi-band	[9800 to 11900MHz]	(dB)	15.0	20.9	—
Isolation		[DC.2500MHz]	(dB)	20.0	25.6	—
		[4900 to 5950MHz]	(dB)	20.0	23.8	—
Temperature range	Operating	(°C)	—	—	—	+85
	Storage	(°C)	—	—	—	+85

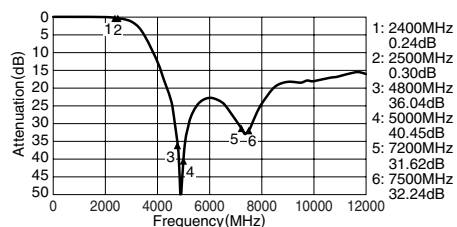
• Ta: +25°C

• Conformity to RoHS Directive: This means that, in conformity with EU Directive 2002/95/EC, lead, cadmium, mercury, hexavalent chromium, and specific bromine-based flame retardants, PBB and PBDE, have not been used, except for exempted applications.

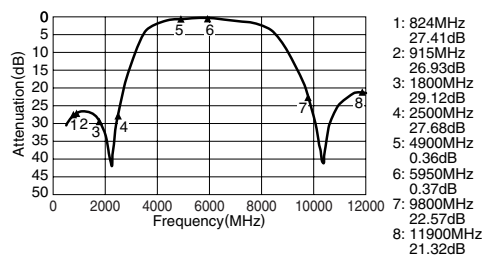
• All specifications are subject to change without notice.

FREQUENCY CHARACTERISTICS

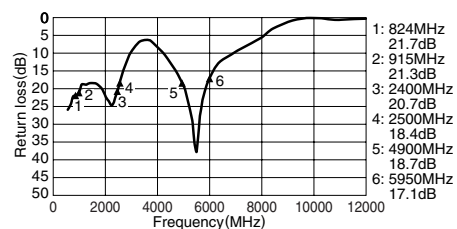
Lo-BAND PORT S31



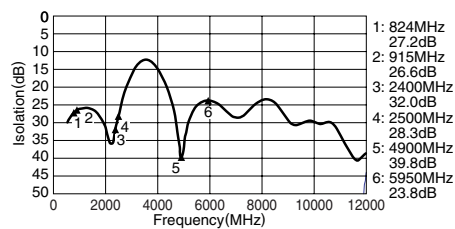
Hi-BAND PORT S21



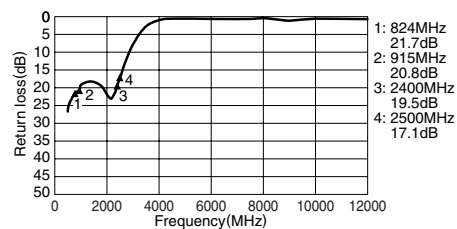
COMMON PORT RETURN LOSS S11



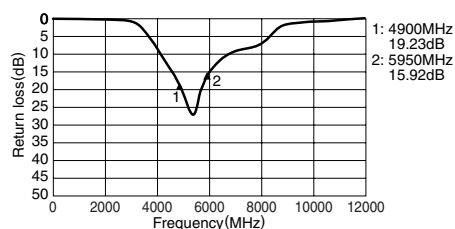
ISOLATION S23



Lo-BAND PORT RETURN LOSS S33



Hi-PORT RETURN LOSS S22



• All specifications are subject to change without notice.