

IEC Appliance Inlet C14 or C18 with Line Switch 2 pole and Fuseholder 2-pole



new

**Description**

- Panel Mount:
- Snap-in or screw-on mounting, from front side Appliance Inlet, protection class I or II, Fuseholder for fuse-links 5 x 20 mm, Line Switch 1- or 2-pole
- Solder terminals or quick connect terminals

Approvals

- VDE License Number: 40013344
- UL License Number: E88880
- CSA License Number: 1084381

Characteristics

- Line switch non-illuminated or illuminated

References

[General Product Information](#)

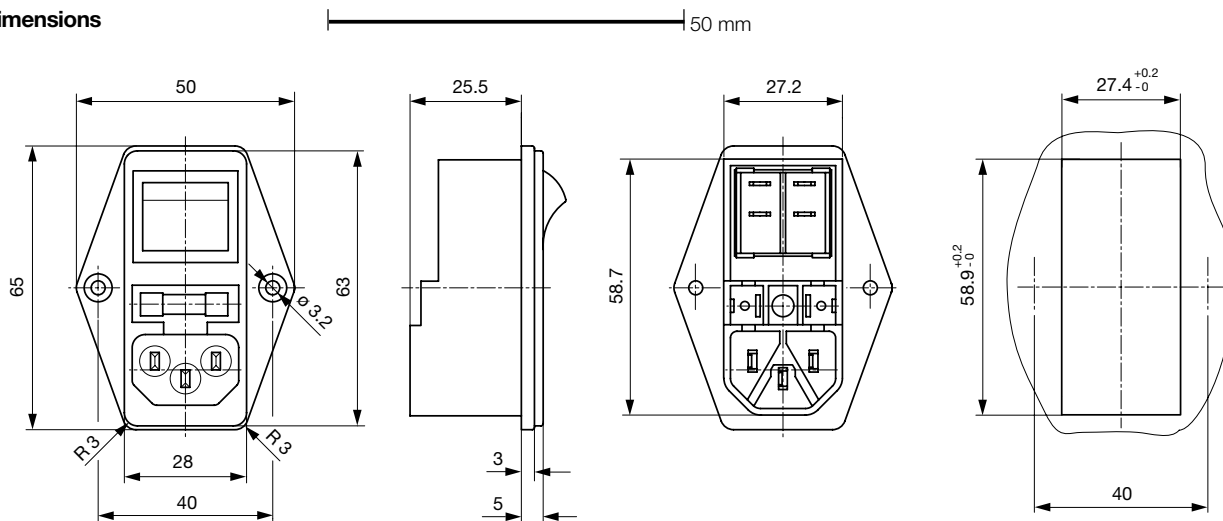
Weblinks

[Approvals](#), [RoHS](#), [CHINA-RoHS](#), [Mating Connectors](#), [e-Store](#), [SCHURTER-Stock-Check](#), [Distributor-Stock-Check](#), [Product Configurator](#)

Technical Data

Ratings IEC	10A / 250VAC; 50Hz
Ratings UL/CSA	10A / 250VAC; 60Hz
Dielectric Strength	> 3kVAC between L-N > 1.5kVAC between L/N-PE (1 min/50Hz)
Allowable Operation Temp.	-25 °C to 70 °C
Degree of Protection	from front side IP 20 acc. to IEC 60529
Protection Class	Suitable for appliances with protection class 1 or 2 acc. to IEC 61140
Terminal	Solder terminals or quick connect terminals
Panel Thickness s	Screw Mounting screw torque max 0.5Nm Snap-in 1.0 - 1.5/ 2.0 - 2.5 mm
Material: Housing	black, UL 94V-0

Appliance Inlet	C14 acc. to IEC/EN 60320-1 UL 498, CSA C22.2 no. 42 (for cold conditions) pin-temperature 70 °C, 10A, Protection Class 1 or 2
Fuseholder	1-pole, acc. to IEC 60127-6, for fuse-links mm
Power Acceptance @ Ta > 23°C	Admissible power acceptance at higher ambient temperature see derating curves
Line Switch	Rocker switch 1 or 2 pole, non-illuminated or illuminated black, acc. to IEC 61058-1 Technical details

Dimensions

length of the terminal please find at the order code configuration table

Konfigurationsschlüssel

6762 - H - A B C N - D - E G O P


The characters are placeholders for the correspondingly keys of selections from the key tables.

6762 - H - A B C N - D - E G O P = Type

Type	Configuration key
protection class 2	B
protection class 1	X

6762 - H - A B C N - D - E G O P = Terminals

Terminal L	Configuration key
solder terminal	1
long solder terminal (L=8,5mm)	3
blade terminal (2,8x0,8mm)	7
blade terminal (4,8x0,8mm)	8
blade terminal (6,3x0,8mm)	9



6762 - H - A B C N - D - E G O P = Terminals

Terminal N	Configuration key
solder terminal	1
long solder terminal (L=8,5mm)	3
blade terminal (2,8x0,8mm)	7
blade terminal (4,8x0,8mm)	8
blade terminal (6,3x0,8mm)	9

Symbols similar as in table A

6762 - H - A B C N - D - E G O P = Terminals

Terminal Ground	Configuration key
without terminal	0
solder terminal	1
long solder terminal (L=8,5mm)	3
blade terminal (2,8x0,8mm)	7
blade terminal (4,8x0,8mm)	8
blade terminal (6,3x0,8mm)	9

Symbols similar as in table A

6762 - H - A B C N - D - E G O P = Terminal Fuseholder

Terminal Fuseholder	Configuration key
solder terminal	1
blade terminal (4,8x0,8mm)	8

6762 - H - A B C N - D - E G O P = Color

Color	Configuration key
jet black; RAL9005	A
standard color: black	

6762 - H - A B C N - D - E G O P = Style

Style	Configuration key
flange with countersunk holes	1
flange with through holes	2
snap-in standard type	3
insert type	5

6762 - H - A B C N - D - E G O P = Dimension X

Dimension "X"	Configuration key
00	

The dimension "X" is displayed in ($1/_{10}$ mm). This information is also valid for the order code

6762 - H - A B C N - D - E G O P = Features

Features	Configuration key
dead cover	1
holder for 1 fuse (text legible, when inlet on top)	2
holder for 1 fuse (text legible, when inlet on bottom)	3

6762 - H - A B C N - D - E G O P = Latching Action Switch

Latching Action Switch	Configuration key
dead cover	1
unipolar switch, 4,8mm blade terminal, black rocker	2
unipolar switch, solder terminal, black rocker	3
bipolar switch, 4,8mm blade terminal, black rocker	4
bipolar switch, solder terminals, black rocker	5
bipolar switch, 4,8mm blade terminal, rocker red illuminated	6
bipolar switch, solder terminal, rocker red illuminated	7
bipolar switch, 4,8mm blade terminals, rocker green illuminated	8
bipolar switch, solder terminals, rocker green illuminated	9

	Description	Order Number
6762-X-9998-A-10024	6762, IEC Power Entry Module C14, 70°C, version: I or II, L: blade terminal (6,3x0,8mm), N: blade terminal (6,3x0,8mm), ground: blade terminal (6,3x0,8mm), fuseholder: blade terminal (4,8x0,8mm), color: jet black; RAL9005, design: flange with countersunk holes, dimension X: 00, features: holder for 1 fuse (text legible, when inlet on top), bipolar switch, 4,8mm blade terminal, black rocker	4304.6070
6762-X-9998-A-10026	6762, IEC Power Entry Module C14, 70°C, version: I or II, L: blade terminal (6,3x0,8mm), N: blade terminal (6,3x0,8mm), ground: blade terminal (6,3x0,8mm), fuseholder: blade terminal (4,8x0,8mm), color: jet black; RAL9005, design: flange with countersunk holes, dimension X: 00, features: holder for 1 fuse (text legible, when inlet on top), bipolar switch, 4,8mm blade terminal, rocker red illuminated	4304.6071
6762-X-9998-A-30024	6762, IEC Power Entry Module C14, 70°C, version: I or II, L: blade terminal (6,3x0,8mm), N: blade terminal (6,3x0,8mm), ground: blade terminal (6,3x0,8mm), fuseholder: blade terminal (4,8x0,8mm), color: jet black; RAL9005, design: snap-in standard type, dimension X: 00, features: holder for 1 fuse (text legible, when inlet on top), bipolar switch, 4,8mm blade terminal, black rocker	4304.6072

The listed variants should be available from stock. Other versions on request www.schurter.com/contact

Packaging unit 50 Pcs

Mating Outlets/Connectors

Category / Description

Connector Overview complete



IEC Connector C15, Rewireable, Straight	0101
IEC Connector C15A, Rewireable, Straight	0102
IEC Connector C15A, Rewireable, Straight	0102-G
IEC Connector C15A, Rewireable, Angled	0112
IEC Connector C13, Rewireable, Angled	4012

[Connector further types to 6762](#) ...

Power Cord Overview complete



Power Cord with IEC Connector C13, Angled	0311
Power Cord with IEC Connector C13, Angled	3011
Power Cord with IEC Connector C13, Angled	3012
Power Cord with IEC Connector C13, Angled	3013
Power Cord with IEC Connector C13	3020

[Power Cord further types to 6762](#) ...

Power Supply or Interconnection Cord Overview complete



Divers Power Supply and Interconnection Cords 10 A	6000.0214
Divers Power Supply and Interconnection Cords 10 A	6000.0224
Divers Power Supply and Interconnection Cords 10 A	6003.0204
Divers Power Supply and Interconnection Cords 10 A	6003.0205
Divers Power Supply and Interconnection Cords 10 A	6003.0215

[Power Supply or Interconnection Cord further types to 6762](#) ...