

DM74ALS240A, DM74ALS241A

Octal 3-STATE Bus Driver

Features

- Advanced low power oxide-isolated ion-implanted Schottky TTL process
- Functional and pin compatible with the DM74LS counterpart
- Improved switching performance with less power dissipation compared with the DM74LS counterpart
- Switching response specified into 500Ω and 50pF load
- Switching response specifications guaranteed over full temperature and V_{CC} supply range
- PNP input design reduces input loading
- Low level drive current: 74ALS = 24mA

General Description

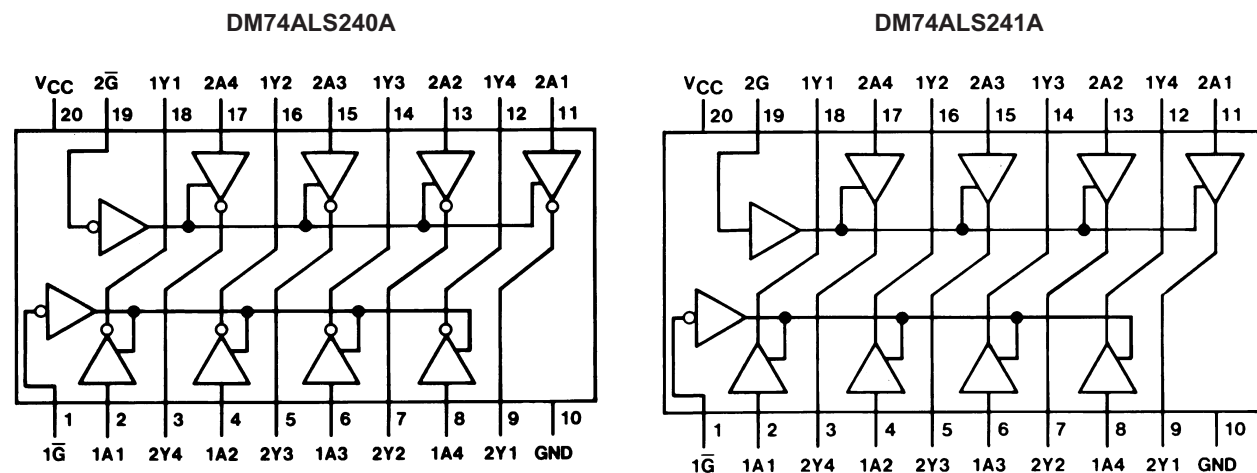
These octal 3-STATE bus drivers are designed to provide the designer with flexibility in implementing a bus interface with memory, microprocessor, or communication systems. The output 3-STATE gating control is organized into two separate groups of four buffers. The DM74ALS240A control inputs symmetrically enable the respective outputs when set logic LOW, while the DM74ALS241A has complementary enable gating. The 3-STATE circuitry contains a feature that maintains the buffer outputs in 3-STATE (high impedance state) during power supply ramp-up or ramp-down. This eliminates bus glitching problems that arise during power-up and power-down.

Ordering Information

Order Number	Package Number	Package Description
DM74ALS240AWM	M20B	20-Lead Small Outline Integrated Circuit (SOIC), JEDEC MS-013, 0.300" Wide
DM74ALS240ASJ	M20D	20-Lead Small Outline Package (SOP), EIAJ TYPE II, 5.3mm Wide
DM74ALS240AN	N20A	20-Lead Plastic Dual-In-Line Package (PDIP), JEDEC MS-001, 0.300" Wide
DM74ALS241AWM	M20B	20-Lead Small Outline Integrated Circuit (SOIC), JEDEC MS-013, 0.300" Wide

Devices also available in Tape and Reel. Specify by appending the suffix letter "X" to the ordering code.

Connection Diagram



Function Tables

DM74ALS240A

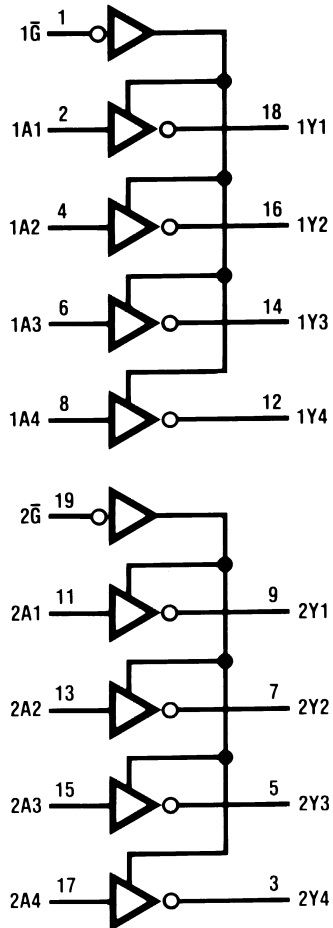
Input		Output
\overline{G}	A	Y
L	L	H
L	H	L
H	X	Z

DM74ALS241A

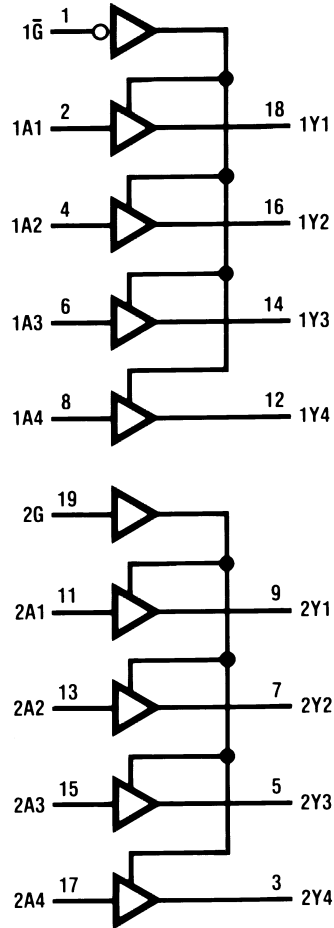
Input		Output	Input		Output
$1\overline{G}$	1A	Y	2G	2A	Y
L	L	L	H	L	L
L	H	H	H	H	H
H	X	Z	L	X	Z

Logic Diagrams

DM74ALS240A



DM74ALS241A



Absolute Maximum Ratings

Stresses exceeding the absolute maximum ratings may damage the device. The device may not function or be operable above the recommended operating conditions and stressing the parts to these levels is not recommended. In addition, extended exposure to stresses above the recommended operating conditions may affect device reliability. The absolute maximum ratings are stress ratings only.

Symbol	Parameter	Rating
V_{CC}	Supply Voltage	7V
V_I	Input Voltage	7V
	Voltage Applied to Disabled Output	5.5V
T_A	Operating Free Air Temperature Range	0°C to +70°C
T_{STG}	Storage Temperature Range	-65°C to +150°C
θ_{JA}	Typical Thermal Resistance	
	N Package	60.5°C/W
	M Package	79.8°C/W

Recommended Operating Conditions

The Recommended Operating Conditions table defines the conditions for actual device operation. Recommended operating conditions are specified to ensure optimal performance to the datasheet specifications. Fairchild does not recommend exceeding them or designing to absolute maximum ratings.

Symbol	Parameter	Min.	Typ.	Max.	Units
V_{CC}	Supply Voltage	4.5	5	5.5	V
V_{IH}	HIGH Level Input Voltage	2			V
V_{IL}	LOW Level Input Voltage			0.8	V
I_{OH}	HIGH Level Output Current			-15	mA
I_{OL}	LOW Level Output Current			24	mA
T_A	Operating Free Air Temperature	0		70	°C

Electrical Characteristics

Over recommended operating free-air temperature range (unless otherwise specified).

Symbol	Parameter	Conditions	Min.	Typ.	Max.	Units
V_{IK}	Input Clamp Voltage	$V_{CC} = 4.5V, I_I = -18mA$			-1.5	V
V_{OH}	HIGH Level Output Voltage	$V_{CC} = 4.5V \text{ to } 5.5V, I_{OH} = -0.4mA$	$V_{CC} - 2$			V
		$V_{CC} = 4.5V, I_{OH} = -3mA$	2.4			
		$I_{OH} = \text{Max.}$	2			
V_{OL}	LOW Level Output Voltage	$V_{CC} = 4.5V, I_{OL} = \text{Max.}$		0.35	0.5	V
I_I	Input Current at Max. Input Voltage	$V_{CC} = 5.5V, V_I = 7V$			0.1	mA
I_{IH}	HIGH Level Input Current	$V_{CC} = 5.5V, V_I = 2.7V$			20	μA
I_{IL}	LOW Level Input Current	$V_{CC} = 5.5V, V_{IL} = 0.4V$			-0.1	mA
I_O	Output Drive Current	$V_{CC} = 5.5V, V_O = 2.25V$	-30		-112	mA
I_{OZH}	HIGH Level 3-STATE Output Current	$V_{CC} = 5.5V, V_O = 2.7V$			20	μA
I_{OZL}	LOW Level 3-STATE Output Current	$V_{CC} = 5.5V, V_O = 0.4V$			-20	μA
I_{CC}	Supply Current	$V_{CC} = 5.5V, \text{ALS240A, Outputs HIGH}$		4	10	mA
		Outputs LOW		13	23	
		Outputs 3-STATE		14	25	
		$V_{CC} = 5.5V, \text{ALS241A, Outputs HIGH}$		9	15	
		Outputs LOW		15	26	
		Outputs 3-STATE		17	30	

Switching Characteristics DM74ALS240A

Over recommended operating free air temperature range.

Symbol	Parameter	Conditions	From (Input)	To (Output)	Min.	Max.	Units
t_{PLH}	Propagation Delay Time, LOW-to-HIGH Level Output	$V_{CC} = 4.5V$ to $5.5V$, $C_L = 50pF$, $R1 = 500\Omega$, $R2 = 500\Omega$, $T_A = \text{Min. to Max.}$	A	Y	2	9	ns
t_{PHL}	Propagation Delay Time, HIGH-to-LOW Level Output				2	9	ns
t_{PZH}	Output Enable Time to HIGH Level Output		\overline{G}	Y	3	13	ns
t_{PZL}	Output Enable Time to LOW Level Output				3	18	ns
t_{PHZ}	Output Disable Time from HIGH Level Output		\overline{G}	Y	2	10	ns
t_{PLZ}	Output Disable Time from LOW Level Output				3	12	ns

Switching Characteristics DM74ALS241A

Over recommended operating free air temperature range.

Symbol	Parameter	Conditions	From (Input)	To (Output)	Min.	Max.	Units
t_{PLH}	Propagation Delay Time, LOW-to-HIGH Level Output	$V_{CC} = 4.5V$ to $5.5V$, $C_L = 50pF$, $R1 = 500\Omega$, $R2 = 500\Omega$, $T_A = \text{Min. to Max.}$	A	Y	3	11	ns
t_{PHL}	Propagation Delay Time, HIGH-to-LOW Level Output				3	10	ns
t_{PZH}	Output Enable Time to HIGH Level Output		$1\overline{G}$	Y	3	21	ns
t_{PZL}	Output Enable Time to HIGH Level Output				3	21	ns
t_{PHZ}	Output Disable Time to HIGH Level Output		$1\overline{G}$	Y	2	10	ns
t_{PLZ}	Output Disable Time to LOW Level Output				3	15	ns
t_{PZH}	Output Enable Time to HIGH Level Output		2G	Y	7	21	ns
t_{PZL}	Output Enable Time to LOW Level Output				7	21	ns
t_{PHZ}	Output Disable Time from HIGH Level Output		2G	Y	2	10	ns
t_{PLZ}	Output Disable Time from LOW Level Output	3			15	ns	

Physical Dimensions

Dimensions are in millimeters unless otherwise noted.

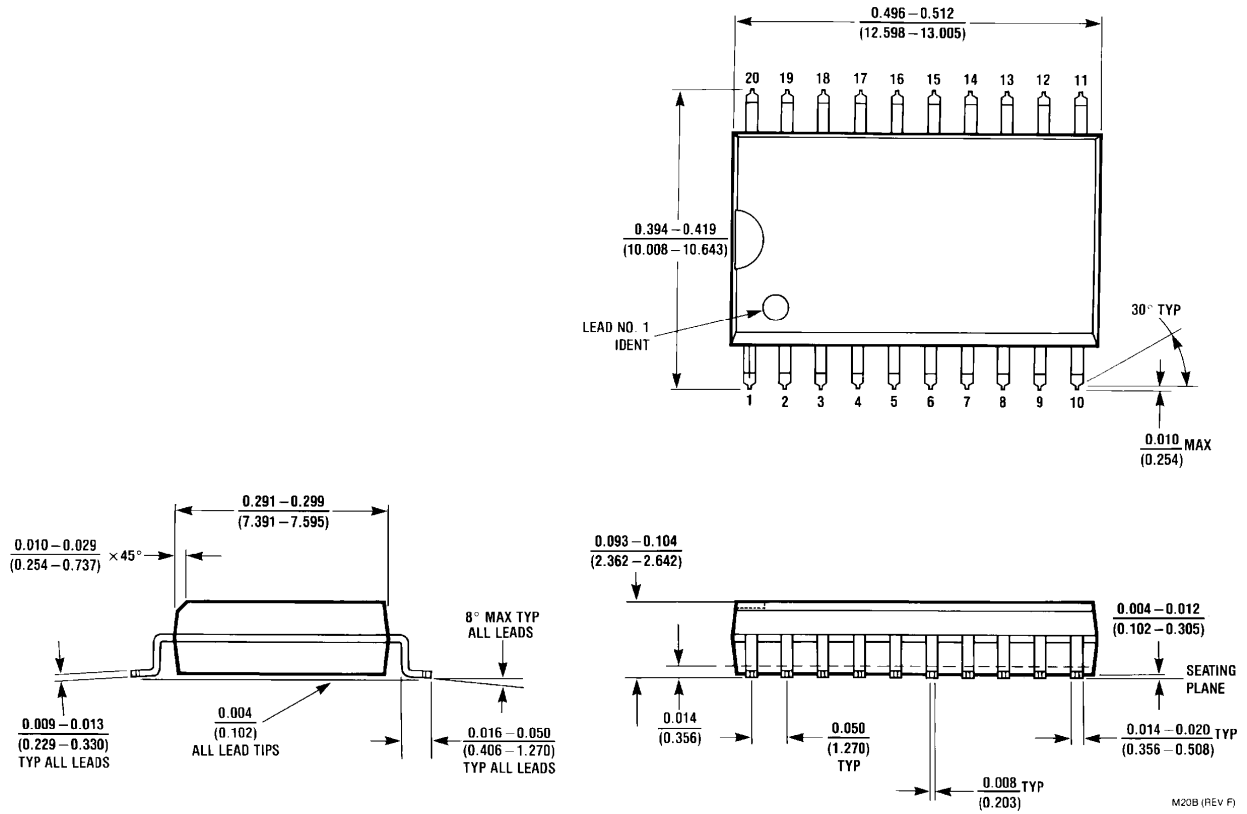
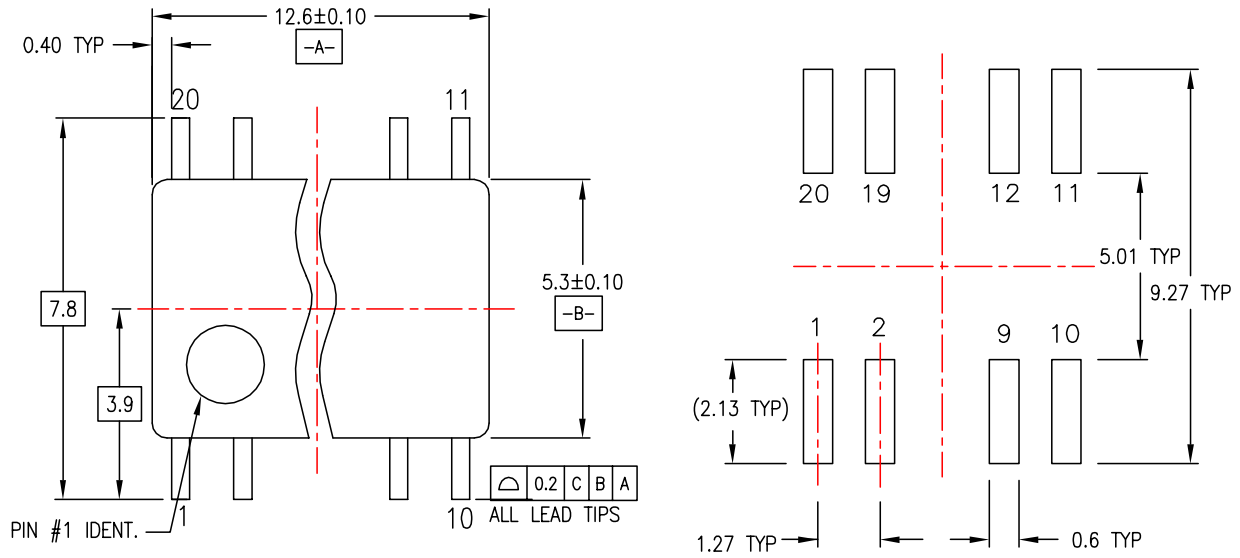


Figure 1. 20-Lead Small Outline Integrated Circuit (SOIC), JEDEC MS-013, 0.300" Wide Package Number M20B

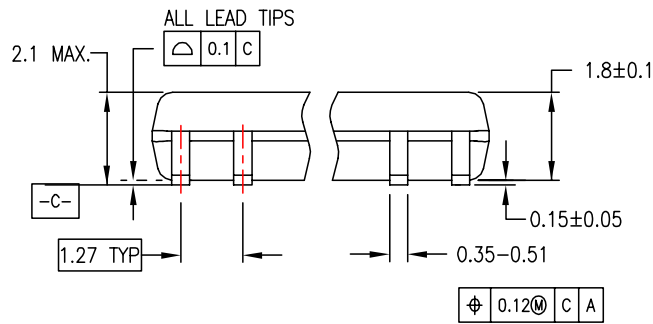
M20B (REV. F)

Physical Dimensions (Continued)

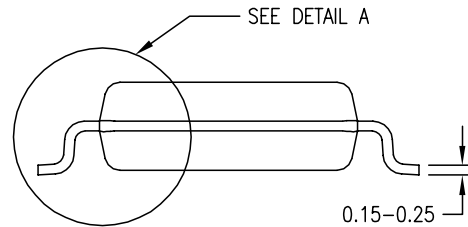
Dimensions are in millimeters unless otherwise noted.



LAND PATTERN RECOMMENDATION

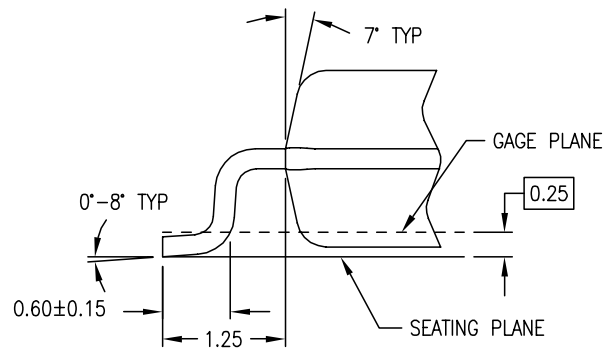


DIMENSIONS ARE IN MILLIMETERS



NOTES:

- A. CONFORMS TO EIAJ EDR-7320 REGISTRATION, ESTABLISHED IN DECEMBER, 1998.
- B. DIMENSIONS ARE IN MILLIMETERS.
- C. DIMENSIONS ARE EXCLUSIVE OF BURRS, MOLD FLASH, AND TIE BAR EXTRUSIONS.



DETAIL A

M20DREVC

Figure 2. 20-Lead Small Outline Package (SOP), EIAJ TYPE II, 5.3mm Wide Package Number M20D

Physical Dimensions (Continued)

Dimensions are in inches (millimeters) unless otherwise noted.

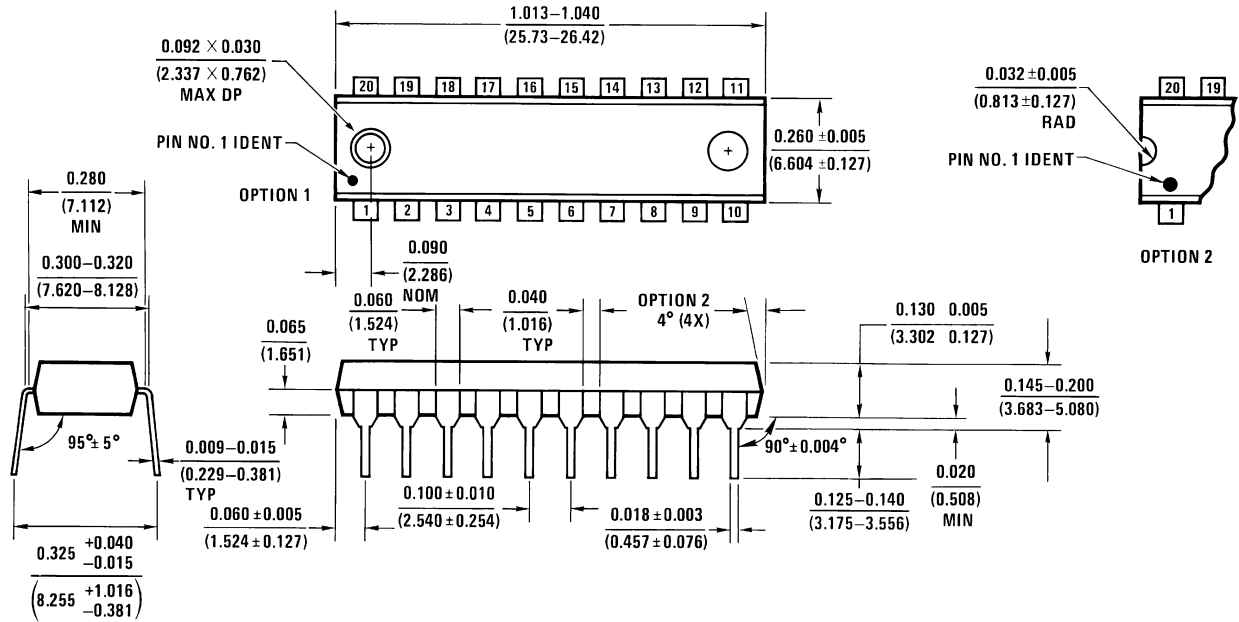



Figure 3. 20-Lead Plastic Dual-In-Line Package (PDIP), JEDEC MS-001, 0.300" Wide Package Number N20A



TRADEMARKS

The following are registered and unregistered trademarks and service marks Fairchild Semiconductor owns or is authorized to use and is not intended to be an exhaustive list of all such trademarks.

ACEx®	Green FPS™	Power247®	SuperSOT™-8
Build it Now™	Green FPS™ e-Series™	POWEREDGE®	SyncFET™
CorePLUS™	GTO™	Power-SPM™	The Power Franchise®
CROSSVOLT™	i-Lo™	PowerTrench®	the power franchise
CTL™	IntelliMAX™	Programmable Active Droop™	TinyBoost™
Current Transfer Logic™	ISOPLANAR™	QFET®	TinyBuck™
EcoSPARK®	MegaBuck™	QS™	TinyLogic®
F ®	MICROCOUPLER™	QT Optoelectronics™	TINYOPTO™
Fairchild®	MicroFET™	Quiet Series™	TinyPower™
Fairchild Semiconductor®	MicroPak™	RapidConfigure™	TinyPWM™
FACT Quiet Series™	MillerDrive™	SMART START™	TinyWire™
FACT®	Motion-SPM™	SPM®	μSerDes™
FAST®	OPTOLOGIC®	STEALTH™	UHC®
FastvCore™	OPTOPLANAR®	SuperFET™	UniFET™
FPS™	 ®	SuperSOT™-3	VCX™
FRFET®	PDP-SPM™	SuperSOT™-6	
Global Power Resource™	Power220®		

DISCLAIMER

FAIRCHILD SEMICONDUCTOR RESERVES THE RIGHT TO MAKE CHANGES WITHOUT FURTHER NOTICE TO ANY PRODUCTS HEREIN TO IMPROVE RELIABILITY, FUNCTION, OR DESIGN. FAIRCHILD DOES NOT ASSUME ANY LIABILITY ARISING OUT OF THE APPLICATION OR USE OF ANY PRODUCT OR CIRCUIT DESCRIBED HEREIN; NEITHER DOES IT CONVEY ANY LICENSE UNDER ITS PATENT RIGHTS, NOR THE RIGHTS OF OTHERS. THESE SPECIFICATIONS DO NOT EXPAND THE TERMS OF FAIRCHILD'S WORLDWIDE TERMS AND CONDITIONS, SPECIFICALLY THE WARRANTY THEREIN, WHICH COVERS THESE PRODUCTS.

LIFE SUPPORT POLICY

FAIRCHILD'S PRODUCTS ARE NOT AUTHORIZED FOR USE AS CRITICAL COMPONENTS IN LIFE SUPPORT DEVICES OR SYSTEMS WITHOUT THE EXPRESS WRITTEN APPROVAL OF FAIRCHILD SEMICONDUCTOR CORPORATION.

As used herein:

1. Life support devices or systems are devices or systems which, (a) are intended for surgical implant into the body or (b) support or sustain life, and (c) whose failure to perform when properly used in accordance with instructions for use provided in the labeling, can be reasonably expected to result in a significant injury of the user.
2. A critical component in any component of a life support, device, or system whose failure to perform can be reasonably expected to cause the failure of the life support device or system, or to affect its safety or effectiveness.

PRODUCT STATUS DEFINITIONS

Definition of Terms

Datasheet Identification	Product Status	Definition
Advance Information	Formative or In Design	This datasheet contains the design specifications for product development. Specifications may change in any manner without notice.
Preliminary	First Production	This datasheet contains preliminary data; supplementary data will be published at a later date. Fairchild Semiconductor reserves the right to make changes at any time without notice to improve design.
No Identification Needed	Full Production	This datasheet contains final specifications. Fairchild Semiconductor reserves the right to make changes at any time without notice to improve design.
Obsolete	Not In Production	This datasheet contains specifications on a product that has been discontinued by Fairchild Semiconductor. The datasheet is printed for reference information only.

Rev. 131