

MBM29DL800TA-70/90/ MBM29DL800BA-70/90



Data Sheet (Retired Product)

This product has been retired and is not recommended for new designs. Availability of this document is retained for reference and historical purposes only.

Continuity of Specifications

There is no change to this data sheet as a result of offering the device as a Spansion product. Any changes that have been made are the result of normal data sheet improvement and are noted in the document revision summary.

For More Information

Please contact your local sales office for additional information about Spansion memory solutions.

This page left intentionally blank.

SPANSION™ Flash Memory

Data Sheet



September 2003

This document specifies SPANSION™ memory products that are now offered by both Advanced Micro Devices and Fujitsu. Although the document is marked with the name of the company that originally developed the specification, these products will be offered to customers of both AMD and Fujitsu.

Continuity of Specifications

There is no change to this datasheet as a result of offering the device as a SPANSION™ product. Future routine revisions will occur when appropriate, and changes will be noted in a revision summary.

Continuity of Ordering Part Numbers

AMD and Fujitsu continue to support existing part numbers beginning with "Am" and "MBM". To order these products, please use only the Ordering Part Numbers listed in this document.

For More Information

Please contact your local AMD or Fujitsu sales office for additional information about SPANSION™ memory solutions.



FLASH MEMORY

CMOS

8M (1M × 8 / 512K × 16) BIT

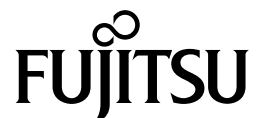
MBM29DL800TA-70/90/MBM29DL800BA-70/90

■ FEATURES

- **Single 3.0 V read, program, and erase**
Minimizes system level power requirements
- **Simultaneous operations**
Read-while-Erase or Read-while-Program
- **Compatible with JEDEC-standard commands**
Uses same software commands as E²PROMs
- **Compatible with JEDEC-standard worldwide pinouts (Pin compatible with MBM29LV800TA/BA)**
48-pin TSOP(1) (Package suffix: PFTN – Normal Bend Type, PFTR – Reversed Bend Type)
48-ball FBGA (Package suffix: PBT)
- **Minimum 100,000 program/erase cycles**
- **High performance**
70 ns maximum access time
- **Sector erase architecture**
Two 16 K byte, four 8 K bytes, two 32 K byte, and fourteen 64 K bytes.
Any combination of sectors can be concurrently erased. Also supports full chip erase.
- **Boot Code Sector Architecture**
T = Top sector
B = Bottom sector
- **Embedded Erase™ Algorithms**
Automatically pre-programs and erases the chip or any sector
- **Embedded Program™ Algorithms**
Automatically writes and verifies data at specified address
- **Data Polling and Toggle Bit feature for detection of program or erase cycle completion**
- **Ready/Busy output (RY/BY)**
Hardware method for detection of program or erase cycle completion
- **Automatic sleep mode**
When addresses remain stable, automatically switch themselves to low power mode.
- **Low V_{CC} write inhibit ≤ 2.5 V**
- **Erase Suspend/Resume**
Suspends the erase operation to allow a read in another sector within the same device

(Continued)

Embedded Erase™ and Embedded Program™ are trademarks of Advanced Micro Devices, Inc.

The Fujitsu logo, consisting of the word "FUJITSU" in a bold, sans-serif font, with a stylized infinity symbol above the letter "I".

(Continued)

- **Sector protection**

Hardware method disables any combination of sectors from program or erase operations

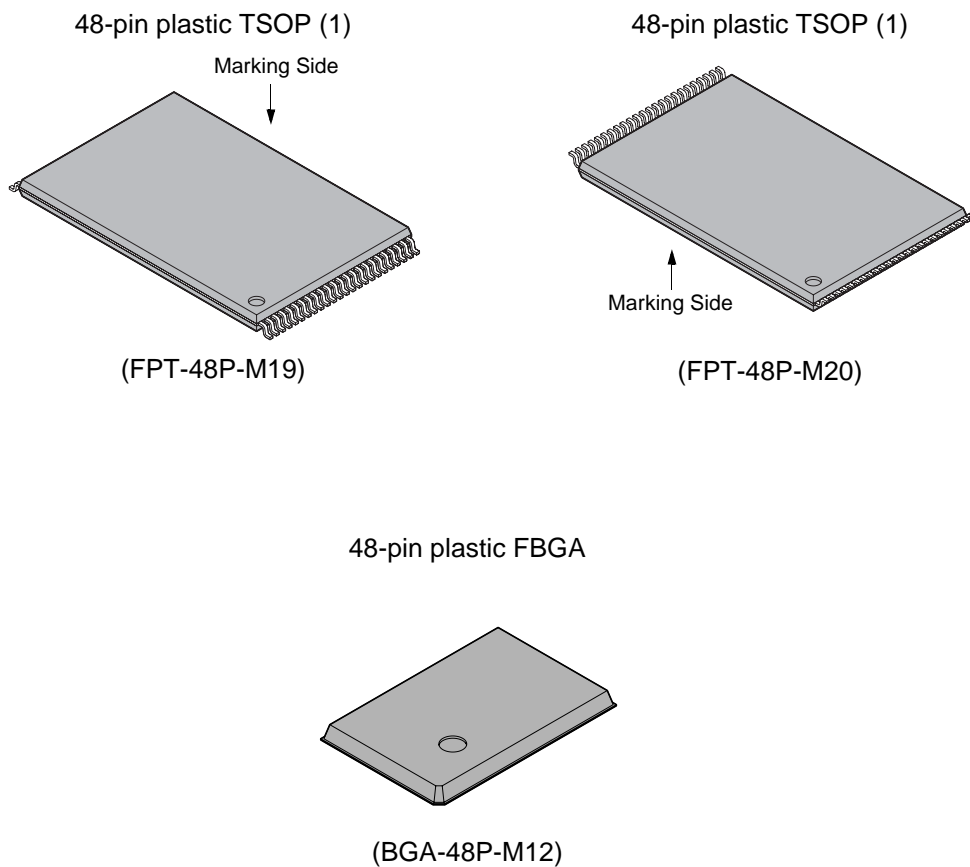
- **Sector Protection Set function by Extended sector protection command**

- **Fast Programming Function by Extended Command**

- **Temporary sector unprotection**

Temporary sector unprotection via the $\overline{\text{RESET}}$ pin.

■ PACKAGES



■ GENERAL DESCRIPTION

The MBM29DL800TA/BA are a 8M-bit, 3.0 V-only Flash memory organized as 1 M bytes of 8 bits each or 512 K words of 16 bits each. The MBM29DL800TA/BA are offered in a 48-pin TSOP(1) and 48-ball FBGA packages. These devices are designed to be programmed in-system with the standard system 3.0 V V_{CC} supply. 12.0 V V_{PP} and 5.0 V V_{CC} are not required for write or erase operations. The devices can also be reprogrammed in standard EPROM programmers.

MBM29DL800TA/BA provide simultaneous operation which can read a data during program/erase. The simultaneous operation architecture provides simultaneous operation by dividing the memory space into two banks. The device can allow a host system to program or erase in one bank, then immediately and simultaneously read from the other bank.

The standard MBM29DL800TA/BA offer access times 70 ns and 90 ns, allowing operation of high-speed microprocessors without wait states. To eliminate bus contention the devices have separate chip enable (\overline{CE}), write enable (\overline{WE}), and output enable (\overline{OE}) controls.

The MBM29DL800TA/BA are pin and command set compatible with JEDEC standard E²PROMs. Commands are written to the command register using standard microprocessor write timings. Register contents serve as input to an internal state-machine which controls the erase and programming circuitry. Write cycles also internally latch addresses and data needed for the programming and erase operations. Reading data out of the devices is similar to reading from 5.0 V and 12.0 V Flash or EPROM devices.

The MBM29DL800TA/BA are programmed by executing the program command sequence. This will invoke the Embedded Program Algorithm which is an internal algorithm that automatically times the program pulse widths and verifies proper cell margin. Typically, each sector can be programmed and verified in about 0.5 seconds. Erase is accomplished by executing the erase command sequence. This will invoke the Embedded Erase Algorithm which is an internal algorithm that automatically preprograms the array if it is not already programmed before executing the erase operation. During erase, the devices automatically time the erase pulse widths and verify proper cell margin.

A sector is typically erased and verified in 1.0 second. (If already completely preprogrammed.)

The devices also feature a sector erase architecture. The sector mode allows each sector to be erased and reprogrammed without affecting other sectors. The MBM29DL800TA/BA are erased when shipped from the factory.

The devices feature single 3.0 V power supply operation for both read and write functions. Internally generated and regulated voltages are provided for the program and erase operations. A low V_{CC} detector automatically inhibits write operations on the loss of power. The end of program or erase is detected by $\overline{\text{Data}}$ Polling of DQ₇, by the Toggle Bit feature on DQ₆, or the RY/ \overline{BY} output pin. Once the end of a program or erase cycle has been completed, the devices internally reset to the read mode.

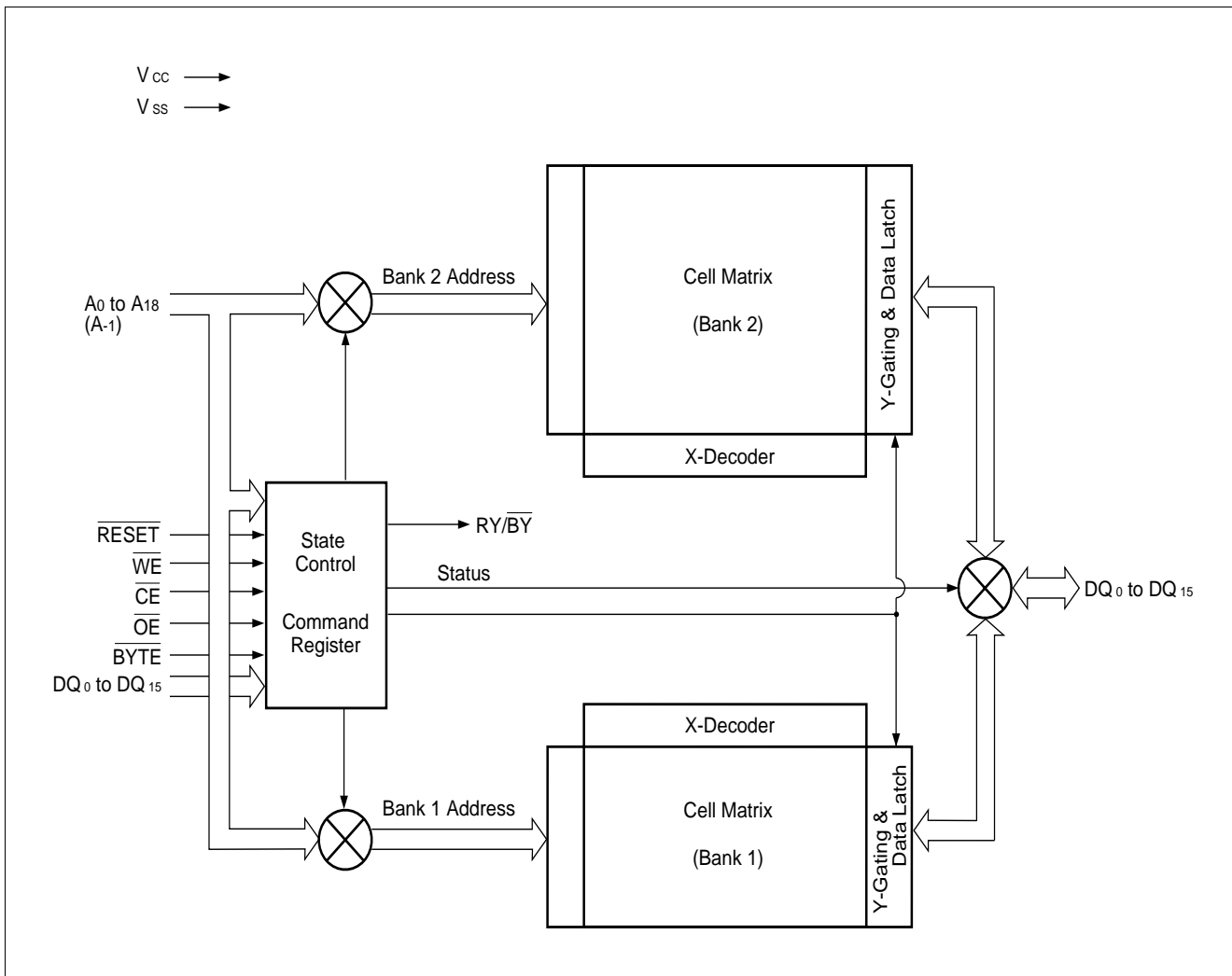
Fujitsu's Flash technology combines years of EPROM and E²PROM experience to produce the highest levels of quality, reliability, and cost effectiveness. The MBM29DL800TA/BA memories electrically erase the entire chip or all bits within a sector simultaneously via Fowler-Nordhiem tunneling. The bytes/words are programmed one byte/word at a time using the EPROM programming mechanism of hot electron injection.

MBM29DL800TA-70/90/MBM29DL800BA-70/90

■ PRODUCT LINE UP

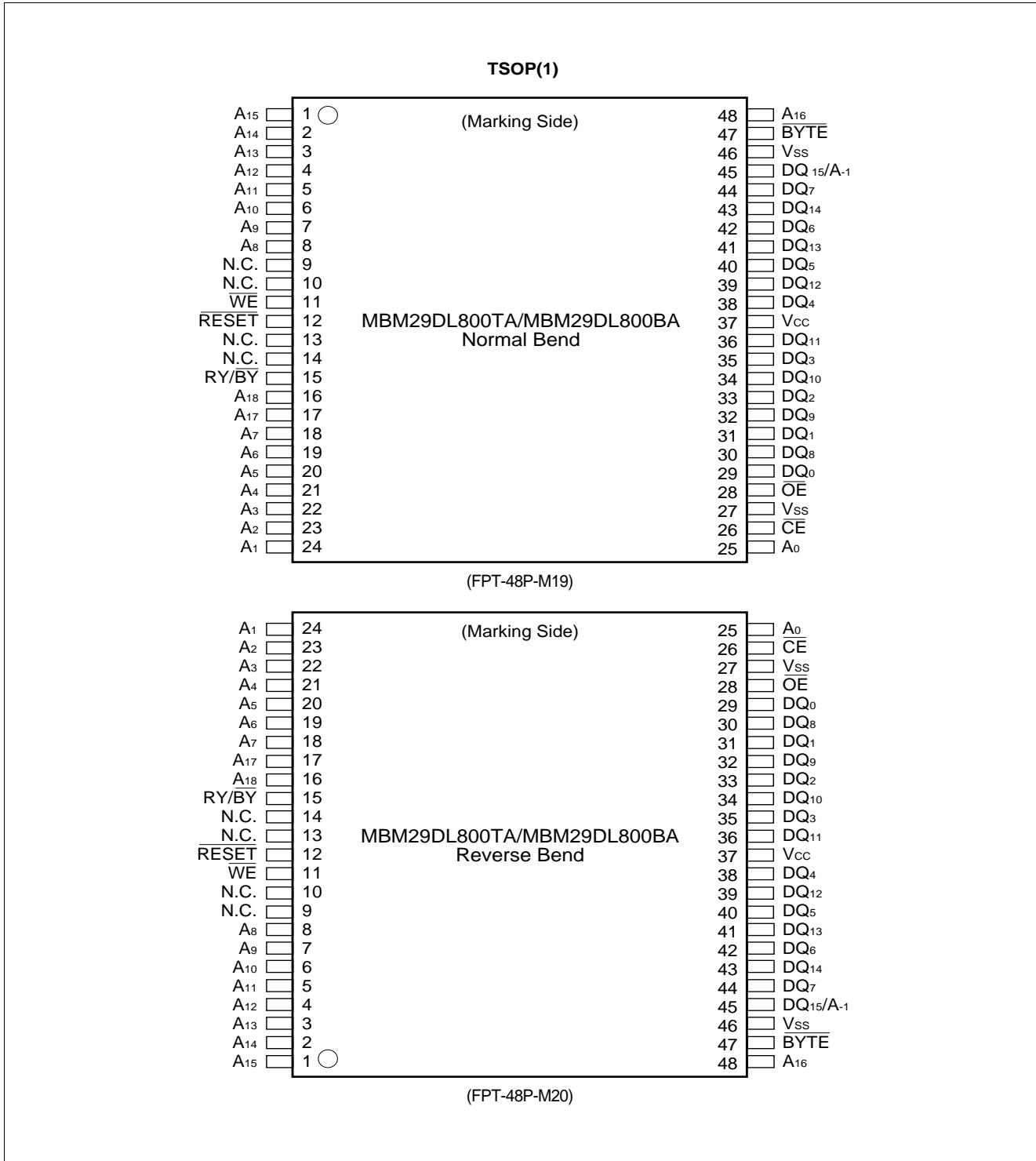
Part No.		MBM29DL800TA/MBM29DL800BA	
Ordering Part No.	$V_{CC} = 3.3 V_{-0.3V}^{+0.3V}$	-70	—
	$V_{CC} = 3.0 V_{-0.3V}^{+0.6V}$	—	-90
Max Address Access Time (ns)		70	90
Max \overline{CE} Access Time (ns)		70	90
Max \overline{OE} Access Time (ns)		30	35

■ BLOCK DIAGRAM



MBM29DL800TA-70/90/MBM29DL800BA-70/90

■ PIN ASSIGNMENTS

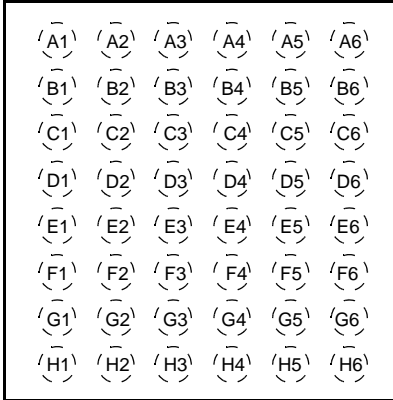


(Continued)

MBM29DL800TA-70/90/MBM29DL800BA-70/90

(Continued)

FBGA
(Top View)
Marking side



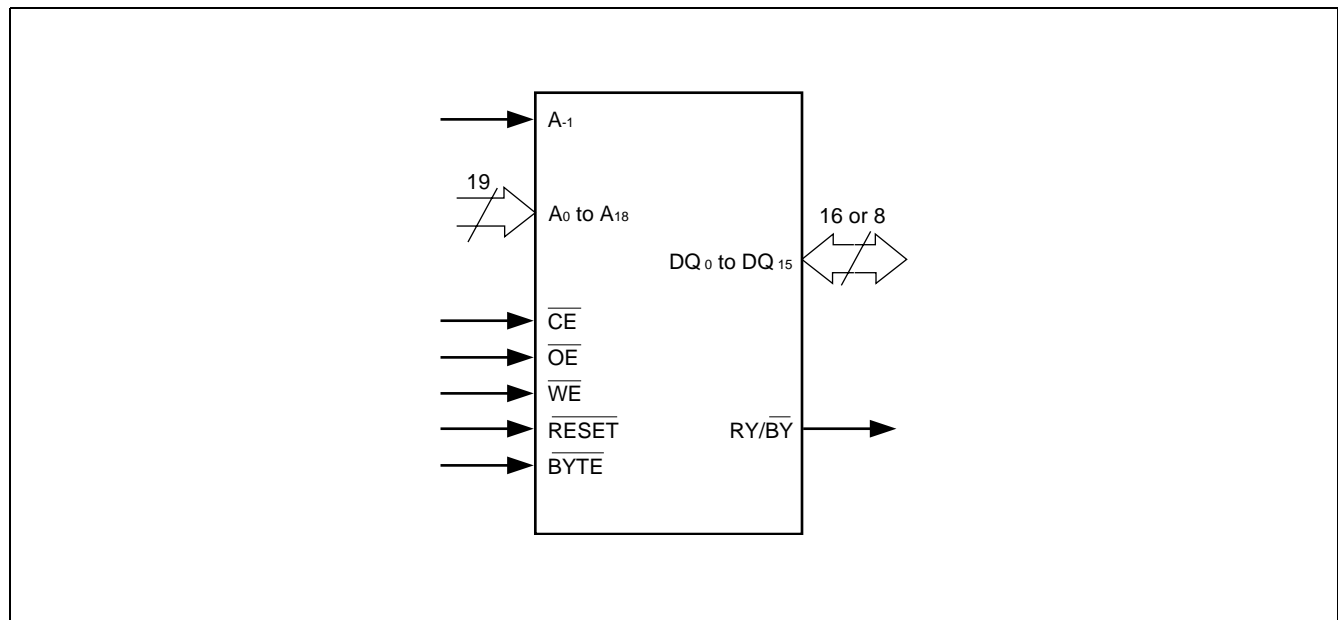
(BGA-48P-M12)

A1	A3	A2	A7	A3	RY/ $\overline{\text{BY}}$	A4	$\overline{\text{WE}}$	A5	A9	A6	A13
B1	A4	B2	A17	B3	N.C.	B4	$\overline{\text{RESET}}$	B5	A8	B6	A12
C1	A2	C2	A6	C3	A18	C4	N.C.	C5	A10	C6	A14
D1	A1	D2	A5	D3	N.C.	D4	N.C.	D5	A11	D6	A15
E1	A0	E2	DQ0	E3	DQ2	E4	DQ5	E5	DQ7	E6	A16
F1	$\overline{\text{CE}}$	F2	DQ8	F3	DQ10	F4	DQ12	F5	DQ14	F6	$\overline{\text{BYTE}}$
G1	$\overline{\text{OE}}$	G2	DQ9	G3	DQ11	G4	V _{CC}	G5	DQ13	G6	DQ15/A-1
H1	V _{SS}	H2	DQ1	H3	DQ3	H4	DQ4	H5	DQ6	H6	V _{SS}

■ PIN DESCRIPTION

Pin Name	Function
A-1, A ₀ to A ₁₈	Address Inputs
DQ ₀ to DQ ₁₅	Data Inputs/Outputs
$\overline{\text{CE}}$	Chip Enable
$\overline{\text{OE}}$	Output Enable
$\overline{\text{WE}}$	Write Enable
RY/ $\overline{\text{BY}}$	Ready/Busy Output
$\overline{\text{RESET}}$	Hardware Reset Pin/Temporary Sector Unprotection
$\overline{\text{BYTE}}$	Selects 8-bit or 16-bit mode
N.C.	No Internal Connection
V _{SS}	Device Ground
V _{CC}	Device Power Supply


■ LOGIC SYMBOL




MBM29DL800TA-70/90/MBM29DL800BA-70/90


■ DEVICE BUS OPERATION

MBM29DL800TA/BA User Bus Operations Table ($\overline{\text{BYTE}} = V_{IH}$)

Operation	$\overline{\text{CE}}$	$\overline{\text{OE}}$	$\overline{\text{WE}}$	A ₀	A ₁	A ₆	A ₉	DQ ₀ to DQ ₁₅	$\overline{\text{RESET}}$
Auto-Select Manufacturer Code* ¹	L	L	H	L	L	L	V _{ID}	Code	H
Auto-Select Device Code* ¹	L	L	H	H	L	L	V _{ID}	Code	H
Read* ³	L	L	H	A ₀	A ₁	A ₆	A ₉	D _{OUT}	H
Standby	H	X	X	X	X	X	X	High-Z	H
Output Disable	L	H	H	X	X	X	X	High-Z	H
Write (Program/Erase)	L	H	L	A ₀	A ₁	A ₆	A ₉	D _{IN}	H
Enable Sector Protection* ² , * ⁴	L	V _{ID}		L	H	L	V _{ID}	X	H
Verify Sector Protection * ² , * ⁴	L	L	H	L	H	L	V _{ID}	Code	H
Temporary Sector Unprotection* ⁵	X	X	X	X	X	X	X	X	V _{ID}
Reset (Hardware)/Standby	X	X	X	X	X	X	X	High-Z	L

MBM29DL800TA/BA User Bus Operations Table ($\overline{\text{BYTE}} = V_{IL}$)

Operation	$\overline{\text{CE}}$	$\overline{\text{OE}}$	$\overline{\text{WE}}$	DQ ₁₅ / A ₋₁	A ₀	A ₁	A ₆	A ₉	DQ ₀ to DQ ₇	$\overline{\text{RESET}}$
Auto-Select Manufacturer Code* ¹	L	L	H	L	L	L	L	V _{ID}	Code	H
Auto-Select Device Code* ¹	L	L	H	L	H	L	L	V _{ID}	Code	H
Read* ³	L	L	H	A ₋₁	A ₀	A ₁	A ₆	A ₉	D _{OUT}	H
Standby	H	X	X	X	X	X	X	X	High-Z	H
Output Disable	L	H	H	X	X	X	X	X	High-Z	H
Write (Program/Erase)	L	H	L	A ₋₁	A ₀	A ₁	A ₆	A ₉	D _{IN}	H
Enable Sector Protection* ² , * ⁴	L	V _{ID}		L	L	H	L	V _{ID}	X	H
Verify Sector Protection * ² , * ⁴	L	L	H	L	L	H	L	V _{ID}	Code	H
Temporary Sector Unprotection * ⁵	X	X	X	X	X	X	X	X	X	V _{ID}
Reset (Hardware)/Standby	X	X	X	X	X	X	X	X	High-Z	L

Legend: L = V_{IL}, H = V_{IH}, X = V_{IL} or V_{IH},  = Pulse input. See “■ DC CHARACTERISTICS” for voltage levels.

*1 : Manufacturer and device codes may also be accessed via a command register write sequence. See “MBM29DL800TA/BA Command Definitions Table”.

*2 : Refer to the section on Sector Protection.

*3 : $\overline{\text{WE}}$ can be V_{IL} if $\overline{\text{OE}}$ is V_{IL}, $\overline{\text{OE}}$ at V_{IH} initiates the write operations.

*4 : V_{CC} = 3.0 V ± 10%

*5 : It is also used for the extended sector protection.

MBM29DL800TA-70/90/MBM29DL800BA-70/90

MBM29DL800TA/BA Command Definitions Table

Command Sequence		Bus Write Cycles Req'd	First Bus Write Cycle		Second Bus Write Cycle		Third Bus Write Cycle		Fourth Bus Read/Write Cycle		Fifth Bus Write Cycle		Sixth Bus Write Cycle	
			Addr.	Data	Addr.	Data	Addr.	Data	Addr.	Data	Addr.	Data	Addr.	Data
Read/Reset	Word	1	XXXh	F0h	—	—	—	—	—	—	—	—	—	—
	Byte		XXXh	F0h	—	—	—	—	—	—	—	—	—	—
Read/Reset	Word	3	555h	AAh	2AAh	55h	555h	F0h	RA	RD	—	—	—	—
	Byte		AAAh		555h		AAAh							
Autoselect	Word	3	555h	AAh	2AAh	55h	(BA) 555h	90h	—	—	—	—	—	—
	Byte		AAAh		555h		(BA) AAAh							
Program	Word	4	555h	AAh	2AAh	55h	555h	A0h	PA	PD	—	—	—	—
	Byte		AAAh		555h		AAAh							
Chip Erase	Word	6	555h	AAh	2AAh	55h	555h	80h	555h	AAh	2AAh	55h	555h	10h
	Byte		AAAh		555h		AAAh		555h		AAAh			
Sector Erase	Word	6	555h	AAh	2AAh	55h	555h	80h	555h	AAh	2AAh	55h	SA	30h
	Byte		AAAh		555h		AAAh		555h		AAAh			
Erase Suspend		1	BA	B0h	—	—	—	—	—	—	—	—	—	—
Erase Resume		1	BA	30h	—	—	—	—	—	—	—	—	—	—
Set to Fast Mode	Word	3	555h	AAh	2AAh	55h	555h	20h	—	—	—	—	—	—
	Byte		AAAh		555h		AAAh							
Fast Program *1	Word	2	XXXh	A0h	PA	PD	—	—	—	—	—	—	—	—
	Byte		XXXh		—									
Reset from Fast Mode *1	Word	2	BA	90h	XXXh	F0h	—	—	—	—	—	—	—	—
	Byte		BA		XXXh		*3							
Extended Sector Protect*2	Word	4	XXXh	60h	SPA	60h	SPA	40h	SPA	SD	—	—	—	—
	Byte		XXXh		60h		SPA		40h					

*1 : This command is valid during Fast Mode.

*2 : This command is valid while $\overline{\text{RESET}} = V_{\text{ID}}$.

*3 : This data "00h" is also acceptable.

Notes : •Address bits A₁₂ to A₁₈ = X = "H" or "L" for all address commands except or Program Address (PA), Sector Address (SA), and Bank Address (BA).

•Bus operations are defined in "MBM29DL800TA/BA User Bus Operations Tables ($\overline{\text{BYTE}} = V_{\text{IH}}$ and $\overline{\text{BYTE}} = V_{\text{IL}}$)".

•RA =Address of the memory location to be read

PA =Address of the memory location to be programmed

Addresses are latched on the falling edge of the write pulse.

SA =Address of the sector to be erased. The combination of A₁₈, A₁₇, A₁₆, A₁₅, A₁₄, A₁₃, and A₁₂ will uniquely select any sector.

BA =Bank Address (A₁₆ to A₁₈)

•RD =Data read from location RA during read operation.

PD =Data to be programmed at location PA. Data is latched on the rising edge of write pulse.

•SPA =Sector address to be protected. Set sector address (SA) and (A₆, A₁, A₀) = (0, 1, 0).

SD =Sector protection verify data. Output 01h at protected sector addresses and output 00h at unprotected sector addresses.

•The system should generate the following address patterns:

Word Mode: 555h or 2AAh to addresses A₀ to A₁₁

Byte Mode: AAAh or 555h to addresses A₋₁ and A₀ to A₁₁

•Both Read/Reset commands are functionally equivalent, resetting the device to the read mode.

•The command combinations not described in "MBM29DL800TA/BA Command Definitions Table" are illegal.

MBM29DL800TA-70/90/MBM29DL800BA-70/90

MBM29DL800TA/BA Sector Protection Verify Autoselect Codes Table

Type		A ₁₂ to A ₁₈	A ₆	A ₁	A ₀	A ₋₁ ^{*1}	Code (HEX)
Manufacturer's Code		X	V _{IL}	V _{IL}	V _{IL}	V _{IL}	04h
Device Code	MBM29DL800TA	Byte	X	V _{IL}	V _{IL}	V _{IH}	V _{IL}
		Word					X
	MBM29DL800BA	Byte	X	V _{IL}	V _{IL}	V _{IH}	V _{IL}
		Word					X
Sector Protection		Sector Addresses	V _{IL}	V _{IH}	V _{IL}	V _{IL}	01h ^{*2}

*1 : A₋₁ is for Byte mode. At Byte mode, DQ₈ to DQ₁₄ are High-Z and DQ₁₅ is A₋₁, the lowest address.

*2 : Outputs 01h at protected sector addresses and outputs 00h at unprotected sector addresses.

Extended Autoselect Code Table

Type		Code	DQ ₁₅	DQ ₁₄	DQ ₁₃	DQ ₁₂	DQ ₁₁	DQ ₁₀	DQ ₉	DQ ₈	DQ ₇	DQ ₆	DQ ₅	DQ ₄	DQ ₃	DQ ₂	DQ ₁	DQ ₀
Manufacturer's Code		04h	A _{-1/0}	0	0	0	0	0	0	0	0	0	0	0	0	1	0	0
Device Code	MBM29DL800TA	(B)*	4Ah	A ₋₁	HI-Z	HI-Z	HI-Z	HI-Z	HI-Z	HI-Z	0	1	0	0	1	0	1	0
		(W)	224Ah	0	0	1	0	0	0	1	0	0	1	0	0	1	0	1
	MBM29DL800BA	(B)*	CBh	A ₋₁	HI-Z	HI-Z	HI-Z	HI-Z	HI-Z	HI-Z	1	1	0	0	1	0	1	1
		(W)	22CBh	0	0	1	0	0	0	1	0	1	1	0	0	1	0	1
Sector Protection		01h	A _{-1/0}	0	0	0	0	0	0	0	0	0	0	0	0	0	0	1

(B): Byte mode

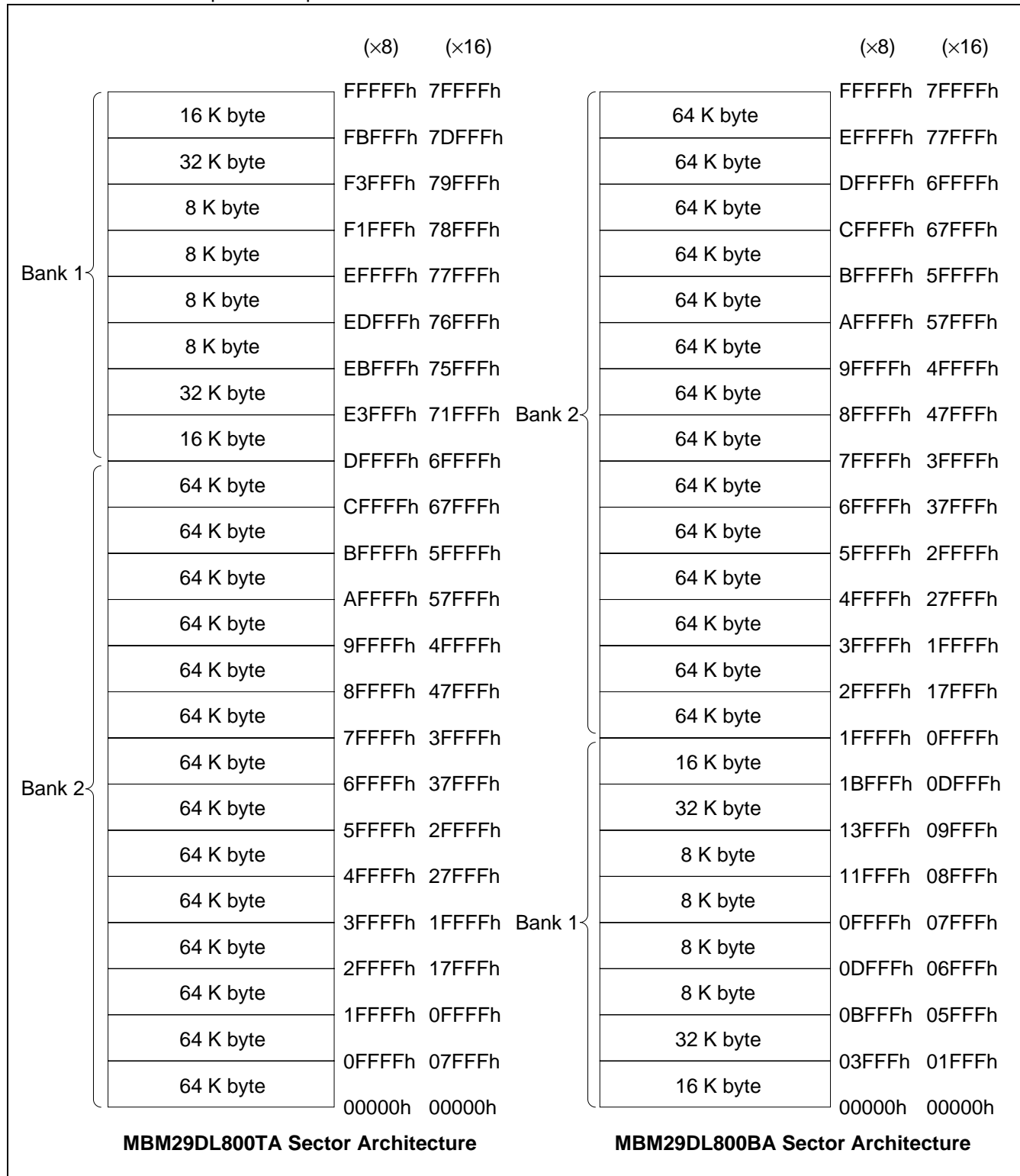
(W): Word mode

HI-Z: High-Z

* : At Byte mode, DQ₈ to DQ₁₄ are High-Z and DQ₁₅ is A₋₁, the lowest address.

■ FLEXIBLE SECTOR-ERASE ARCHITECTURE

- Two 16 K bytes, four 8 K bytes, two 32 K bytes, and fourteen 64 K bytes
- Individual-sector, multiple-sector, or bulk-erase capability
- Individual or multiple-sector protection is user definable.



MBM29DL800TA-70/90/MBM29DL800BA-70/90

Sector Address Table (MBM29DL800BA)

Bank	Sector	Sector Address							Sector Size (Kbytes/ Kwords)	Address Range (×8)	Address Range (×16)
		Bank Address			A ₁₅	A ₁₄	A ₁₃	A ₁₂			
		A ₁₈	A ₁₇	A ₁₆							
Bank 2	SA21	1	1	1	1	X	X	X	64/32	F0000h to FFFFFh	78000h to 7FFFFh
	SA20	1	1	1	0	X	X	X	64/32	E0000h to EFFFFh	70000h to 77FFFh
	SA19	1	1	0	1	X	X	X	64/32	D0000h to DFFFFh	68000h to 6FFFFh
	SA18	1	1	0	0	X	X	X	64/32	C0000h to CFFFFh	60000h to 67FFFh
	SA17	1	0	1	1	X	X	X	64/32	B0000h to BFFFFh	58000h to 5FFFFh
	SA16	1	0	1	0	X	X	X	64/32	A0000h to AFFFFh	50000h to 57FFFh
	SA15	1	0	0	1	X	X	X	64/32	90000h to 9FFFFh	48000h to 4FFFFh
	SA14	1	0	0	0	X	X	X	64/32	80000h to 8FFFFh	40000h to 47FFFh
	SA13	0	1	1	1	X	X	X	64/32	70000h to 7FFFFh	38000h to 3FFFFh
	SA12	0	1	1	0	X	X	X	64/32	60000h to 6FFFFh	30000h to 37FFFh
	SA11	0	1	0	1	X	X	X	64/32	50000h to 5FFFFh	28000h to 2FFFFh
	SA10	0	1	0	0	X	X	X	64/32	40000h to 4FFFFh	20000h to 27FFFh
	SA9	0	0	1	1	X	X	X	64/32	30000h to 3FFFFh	18000h to 1FFFFh
SA8	0	0	1	0	X	X	X	64/32	20000h to 2FFFFh	10000h to 17FFFh	
Bank 1	SA7	0	0	0	1	1	1	X	16/8	1C000h to 1FFFFh	0E000h to 0FFFFh
	SA6	0	0	0	1	1	0	X	32/16	18000h to 1BFFFh, 14000h to 17FFFh	0C000h to 0DFFFh, 0A000h to 0BFFFh
						0	1	X			
	SA5	0	0	0	1	0	0	1	8/4	12000h to 13FFFh	09000h to 09FFFh
	SA4	0	0	0	1	0	0	0	8/4	10000h to 11FFFh	08000h to 08FFFh
	SA3	0	0	0	0	1	1	1	8/4	0E000h to 0FFFFh	07000h to 07FFFh
	SA2	0	0	0	0	1	1	0	8/4	0C000h to 0DFFFh	06000h to 06FFFh
	SA1	0	0	0	0	1	0	X	32/16	08000h to 0BFFFh, 04000h to 07FFFh	04000h to 05FFFh, 02000h to 03FFFh
0						1	X				
SA0	0	0	0	0	0	0	X	16/8	00000h to 03FFFh	00000h to 01FFFh	

Note : The address range is A₁₈: A₋₁ if in byte mode ($\overline{\text{BYTE}} = V_{\text{IL}}$).
 The address range is A₁₈: A₀ if in word mode ($\overline{\text{BYTE}} = V_{\text{IH}}$).

MBM29DL800TA-70/90/MBM29DL800BA-70/90

Sector Address Table (MBM29DL800TA)

Bank	Sector	Sector Address							Sector Size (Kbytes/ Kwords)	Address Range (×8)	Address Range (×16)
		Bank Address			A ₁₅	A ₁₄	A ₁₃	A ₁₂			
		A ₁₈	A ₁₇	A ₁₆							
Bank 2	SA0	0	0	0	0	X	X	X	64/32	0000h to 0FFFFh	0000h to 07FFFh
	SA1	0	0	0	1	X	X	X	64/32	1000h to 1FFFFh	0800h to 0FFFFh
	SA2	0	0	1	0	X	X	X	64/32	2000h to 2FFFFh	1000h to 17FFFh
	SA3	0	0	1	1	X	X	X	64/32	3000h to 3FFFFh	1800h to 1FFFFh
	SA4	0	1	0	0	X	X	X	64/32	4000h to 4FFFFh	2000h to 27FFFh
	SA5	0	1	0	1	X	X	X	64/32	5000h to 5FFFFh	2800h to 2FFFFh
	SA6	0	1	1	0	X	X	X	64/32	6000h to 6FFFFh	3000h to 37FFFh
	SA7	0	1	1	1	X	X	X	64/32	7000h to 7FFFFh	3800h to 3FFFFh
	SA8	1	0	0	0	X	X	X	64/32	8000h to 8FFFFh	4000h to 47FFFh
	SA9	1	0	0	1	X	X	X	64/32	9000h to 9FFFFh	4800h to 4FFFFh
	SA10	1	0	1	0	X	X	X	64/32	A000h to AFFFFh	5000h to 57FFFh
	SA11	1	0	1	1	X	X	X	64/32	B000h to BFFFFh	5800h to 5FFFFh
	SA12	1	1	0	0	X	X	X	64/32	C000h to CFFFFh	6000h to 67FFFh
SA13	1	1	0	1	X	X	X	64/32	D000h to DFFFFh	6800h to 6FFFFh	
Bank 1	SA14	1	1	1	0	0	0	X	16/8	E000h to E3FFFh	7000h to 71FFFh
	SA15	1	1	1	0	0	1	X	32/16	E400h to E7FFFh, E800h to EBFFFh	7200h to 73FFFh, 7400h to 75FFFh
						1	0	X			
	SA16	1	1	1	0	1	1	0	8/4	EC00h to EDFFFh	7600h to 76FFFh
	SA17	1	1	1	0	1	1	1	8/4	EE00h to EFFFFh	7700h to 77FFFh
	SA18	1	1	1	1	0	0	0	8/4	F000h to F1FFFh	7800h to 78FFFh
	SA19	1	1	1	1	0	0	1	8/4	F200h to F3FFFh	7900h to 79FFFh
	SA20	1	1	1	1	0	1	X	32/16	F400h to F7FFFh, F800h to FBFFFh	7A00h to 7BFFFh, 7C00h to 7DFFFh
1						0	X				
SA21	1	1	1	1	1	1	X	16/8	FC00h to FFFFFh	7E00h to 7FFFFh	

Note : The address range is A₁₈: A₋₁ if in byte mode ($\overline{\text{BYTE}} = V_{IL}$).
The address range is A₁₈: A₀ if in word mode ($\overline{\text{BYTE}} = V_{IH}$).

■ FUNCTIONAL DESCRIPTION

Simultaneous Operation

MBM29DL800TA/BA have feature, which is capability of reading data from one bank of memory while a program or erase operation is in progress in the other bank of memory (simultaneous operation), in addition to the conventional features (read, program, erase, erase-suspend read, and erase-suspend program). The bank selection can be selected by bank address (A_{16} to A_{18}) with zero latency.

The MBM29DL800TA/BA have two banks which contain Bank 1 (16 KB, 32 KB, 8 KB, 8 KB, 8 KB, 8 KB, 32 KB, and 16 KB) and Bank 2 (64 KB × fourteen sectors).

The simultaneous operation can not execute multi-function mode in the same bank. “Simultaneous Operation Table” shows combination to be possible for simultaneous operation.

Simultaneous Operation Table

Case	Bank 1 Status	Bank 2 Status
1	Read mode	Read mode
2	Read mode	Autoselect mode
3	Read mode	Program mode
4	Read mode	Erase mode *
5	Autoselect mode	Read mode
6	Program mode	Read mode
7	Erase mode *	Read mode

*: An erase operation may also be suspended to read from or program to a sector not being erased.

Read Mode

The MBM29DL800TA/BA have two control functions which must be satisfied in order to obtain data at the outputs. \overline{CE} is the power control and should be used for a device selection. \overline{OE} is the output control and should be used to gate data to the output pins if a device is selected.

Address access time (t_{ACC}) is equal to the delay from stable addresses to valid output data. The chip enable access time (t_{CE}) is the delay from stable addresses and stable \overline{CE} to valid data at the output pins. The output enable access time is the delay from the falling edge of \overline{OE} to valid data at the output pins. (Assuming the addresses have been stable for at least $t_{ACC-tOE}$ time.) When reading out a data without changing addresses after power-up, it is necessary to input hardware reset or to change \overline{CE} pin from “H” or “L”

Standby Mode

There are two ways to implement the standby mode on the MBM29DL800TA/BA devices, one using both the \overline{CE} and \overline{RESET} pins; the other via the \overline{RESET} pin only.

When using both pins, a CMOS standby mode is achieved with \overline{CE} and \overline{RESET} inputs both held at $V_{CC} \pm 0.3$ V. Under this condition the current consumed is less than 5 μ A Max During Embedded Algorithm operation, V_{CC} active current (I_{CC2}) is required even $\overline{CE} = \text{“H”}$. The device can be read with standard access time (t_{CE}) from either of these standby modes.

When using the \overline{RESET} pin only, a CMOS standby mode is achieved with \overline{RESET} input held at $V_{SS} \pm 0.3$ V ($\overline{CE} = \text{“H”}$ or “L”). Under this condition the current is consumed is less than 5 μ A Max Once the \overline{RESET} pin is taken high, the device requires t_{RH} of wake up time before outputs are valid for read access.

In the standby mode the outputs are in the high impedance state, independent of the \overline{OE} input.

Automatic Sleep Mode

There is a function called automatic sleep mode to restrain power consumption during read-out of MBM29DL800TA/BA data. This mode can be used effectively with an application requested low power consumption such as handy terminals.

To activate this mode, MBM29DL800TA/BA automatically switch themselves to low power mode when MBM29DL800TA/BA addresses remain stably during access time of 150 ns. It is not necessary to control \overline{CE} , \overline{WE} , and \overline{OE} on the mode. Under the mode, the current consumed is typically 1 μ A (CMOS Level).

During simultaneous operation, V_{CC} active current (I_{CC2}) is required.

Since the data are latched during this mode, the data are read-out continuously. If the addresses are changed, the mode is canceled automatically and MBM29DL800TA/BA read-out the data for changed addresses.

Output Disable

With the \overline{OE} input at a logic high level (V_{IH}), output from the devices are disabled. This will cause the output pins to be in a high impedance state.

Autoselect

The autoselect mode allows the reading out of a binary code from the devices and will identify its manufacturer and type. This mode is intended for use by programming equipment for the purpose of automatically matching the devices to be programmed with its corresponding programming algorithm. This mode is functional over the entire temperature range of the devices.

To activate this mode, the programming equipment must force V_{ID} (11.5 V to 12.5 V) on address pin A_9 . Two identifier bytes may then be sequenced from the devices outputs by toggling address A_0 from V_{IL} to V_{IH} . All addresses are DON'T CARES except A_0 , A_1 , and A_6 (A_{-1}). (See "MBM29DL800TA/BA User Bus Operations Tables (BYTE = V_{IH} and BYTE = V_{IL})" in ■DEVICE BUS OPERATION.)

The manufacturer and device codes may also be read via the command register, for instances when the MBM29DL800TA/BA are erased or programmed in a system without access to high voltage on the A_9 pin. The command sequence is illustrated in "MBM29DL800TA/BA Command Definitions Table" (in ■DEVICE BUS OPERATION). (Refer to Autoselect Command section.)

Word 0 ($A_0 = V_{IL}$) represents the manufacturer's code (Fujitsu = 04h) and word 1 ($A_0 = V_{IH}$) represents the device identifier code (MBM29DL800TA = 4Ah and MBM29DL800BA = CBh for $\times 8$ mode; MBM29DL800TA = 224Ah and MBM29DL800BA = 22CBh for $\times 16$ mode). These two bytes/words are given in "MBM29DL800TA/BA Sector Protection Verify Autoselect Codes Table" and "Extended Autoselect Code Table" (in ■DEVICE BUS OPERATION). All identifiers for manufactures and device will exhibit odd parity with DQ_7 defined as the parity bit. In order to read the proper device codes when executing the autoselect, A_1 must be V_{IL} . (See "MBM29DL800TA/BA Sector Protection Verify Autoselect Codes Table" and "Extended Autoselect Code Table" in ■DEVICE BUS OPERATION.)

In case of applying V_{ID} on A_9 , since both Bank 1 and Bank 2 enters Autoselect mode, the simultaneous operation can not be executed.

Write

Device erasure and programming are accomplished via the command register. The contents of the register serve as inputs to the internal state machine. The state machine outputs dictate the function of the device.

The command register itself does not occupy any addressable memory location. The register is a latch used to store the commands, along with the address and data information needed to execute the command. The command register is written by bringing \overline{WE} to V_{IL} , while \overline{CE} is at V_{IL} and \overline{OE} is at V_{IH} . Addresses are latched on the falling edge of \overline{WE} or \overline{CE} , whichever happens later; while data is latched on the rising edge of \overline{WE} or \overline{CE} , whichever happens first. Standard microprocessor write timings are used.

Refer to AC Write Characteristics and the Erase/Programming Waveforms for specific timing parameters.

Sector Protection

The MBM29DL800TA/BA feature hardware sector protection. This feature will disable both program and erase operations in any number of sectors (0 through 21). The sector protection feature is enabled using programming equipment at the user's site. The devices are shipped with all sectors unprotected. Alternatively, Fujitsu may program and protect sectors in the factory prior to shipping the device.

To activate this mode, the programming equipment must force V_{ID} on address pin A_9 and control pin \overline{OE} , (suggest $V_{ID} = 11.5\text{ V}$), $\overline{CE} = V_{IL}$, and $A_0 = A_6 = V_{IL}$, $A_1 = V_{IH}$. The sector addresses (A_{18} , A_{17} , A_{16} , A_{15} , A_{14} , A_{13} , and A_{12}) should be set to the sector to be protected. "Sector Address Tables (MBM29DL800TA/BA)" in ■FLEXIBLE SECTOR-ERASE ARCHITECTURE define the sector address for each of the twenty two (22) individual sectors. Programming of the protection circuitry begins on the falling edge of the \overline{WE} pulse and is terminated with the rising edge of the same. Sector addresses must be held constant during the \overline{WE} pulse. See "(13) AC Waveforms for Sector Protection" in ■TIMING DIAGRAM and "(5) Sector Protection Algorithm" in ■FLOW CHART for sector protection waveforms and algorithm.

To verify programming of the protection circuitry, the programming equipment must force V_{ID} on address pin A_9 with \overline{CE} and \overline{OE} at V_{IL} and \overline{WE} at V_{IH} . Scanning the sector addresses (A_{18} , A_{17} , A_{16} , A_{15} , A_{14} , A_{13} , and A_{12}) while (A_6 , A_1 , A_0) = (0, 1, 0) will produce a logical "1" code at device output DQ_0 for a protected sector. Otherwise the devices will read 00h for unprotected sector. In this mode, the lower order addresses, except for A_0 , A_1 , and A_6 are DON'T CARES. Address locations with $A_1 = V_{IL}$ are reserved for Autoselect manufacturer and device codes. A_{-1} requires to apply to V_{IL} on byte mode.

It is also possible to determine if a sector is protected in the system by writing an Autoselect command. Performing a read operation at the address location XX02h, where the higher order addresses (A_{18} , A_{17} , A_{16} , A_{15} , A_{14} , A_{13} , and A_{12}) are the desired sector address will produce a logical "1" at DQ_0 for a protected sector. See "MBM29DL800TA/BA Sector Protection Verify Autoselect Codes Table" and "Extended Autoselect Code Table" in ■DEVICE BUS OPERATION for Autoselect codes.

Temporary Sector Unprotection

This feature allows temporary unprotection of previously protected sectors of the MBM29DL800TA/BA devices in order to change data. The Sector Unprotection mode is activated by setting the \overline{RESET} pin to high voltage (12 V). During this mode, formerly protected sectors can be programmed or erased by selecting the sector addresses. Once the 12 V is taken away from the \overline{RESET} pin, all the previously protected sectors will be protected again. See "(14) Temporary Sector Unprotection Timing Diagram" in ■TIMING DIAGRAM and "(6) Temporary Sector Unprotection Algorithm" in ■FLOW CHART.

RESET

Hardware Reset

The MBM29DL800TA/BA devices may be reset by driving the \overline{RESET} pin to V_{IL} . The \overline{RESET} pin has a pulse requirement and has to be kept low (V_{IL}) for at least 500 ns in order to properly reset the internal state machine. Any operation in the process of being executed will be terminated and the internal state machine will be reset to the read mode 20 μs after the \overline{RESET} pin is driven low. Furthermore, once the \overline{RESET} pin goes high, the devices require an additional t_{RH} before it will allow read access. When the \overline{RESET} pin is low, the devices will be in the standby mode for the duration of the pulse and all the data output pins will be tri-stated. If a hardware reset occurs during a program or erase operation, the data at that particular location will be corrupted. Please note that the RY/ \overline{BY} output signal should be ignored during the \overline{RESET} pulse. See "(9) \overline{RESET} /RY/ \overline{BY} Timing Diagram" in ■TIMING DIAGRAM for the timing diagram. Refer to Temporary Sector Unprotection for additional functionality.

■ COMMAND DEFINITIONS

Device operations are selected by writing specific address and data sequences into the command register. Writing incorrect address and data values or writing them in the improper sequence will reset the devices to the read mode. Some commands are required Bank Address (BA) input. When command sequences are inputted to bank being read, the commands have priority than reading. "MBM29DL800TA/BA Command Definitions Table" in ■DEVICE BUS OPERATION defines the valid register command sequences. Note that the Erase Suspend (B0h) and Erase Resume (30h) commands are valid only while the Sector Erase operation is in progress. Moreover both Read/Reset commands are functionally equivalent, resetting the device to the read mode. Please note that commands are always written at DQ₀ to DQ₇ and DQ₈ to DQ₁₅ bits are ignored.

Read/Reset Command

In order to return from Autoselect mode or Exceeded Timing Limits (DQ₅ = 1) to Read/Reset mode, the Read/Reset operation is initiated by writing the Read/Reset command sequence into the command register. Microprocessor read cycles retrieve array data from the memory. The devices remain enabled for reads until the command register contents are altered.

The devices will automatically power-up in the Read/Reset state. In this case, a command sequence is not required to read data. Standard microprocessor read cycles will retrieve array data. This default value ensures that no spurious alteration of the memory content occurs during the power transition. Refer to the AC Read Characteristics and Waveforms for the specific timing parameters.

Autoselect Command

Flash memories are intended for use in applications where the local CPU alters memory contents. As such, manufacture and device codes must be accessible while the devices reside in the target system. PROM programmers typically access the signature codes by raising A₉ to a high voltage. However, multiplexing high voltage onto the address lines is not generally desired system design practice.

The device contains an Autoselect command operation to supplement traditional PROM programming methodology. The operation is initiated by writing the Autoselect command sequence into the command register.

The Autoselect command sequence is initiated by first writing two unlock cycles. This is followed by a third write cycle that contains the bank address (BA) and the Autoselect command. Then the manufacture and device codes can be read from the bank, and an actual data of memory cell can be read from the another bank.

Following the command write, a read cycle from address (BA)00h retrieves the manufacture code of 04h. A read cycle from address (BA)01h for ×16((BA)02h for ×8) returns the device code (MBM29DL800TA = 4Ah and MBM29DL800BA = CBh for ×8 mode; MBM29DL800TA = 224Ah and MBM29DL800BA = 22CBh for ×16 mode). (See "MBM29DL800TA/BA Sector Protection Verify Autoselect Codes Table" and "Extended Autoselect Code Table" in ■DEVICE BUS OPERATION.)

All manufacturer and device codes will exhibit odd parity with DQ₇ defined as the parity bit. Sector state (protection or unprotection) will be informed by address (BA)02h for ×16 ((BA)04h for ×8). Scanning the sector addresses (A₁₈, A₁₇, A₁₆, A₁₅, A₁₄, A₁₃, and A₁₂) while (A₆, A₁, A₀) = (0, 1, 0) will produce a logical "1" at device output DQ₀ for a protected sector. The programming verification should be performed by verify sector protection on the protected sector. (See "MBM29DL800TA/BA User Bus Operations Tables (BYTE = V_{IH} and BYTE = V_{IL})" in ■DEVICE BUS OPERATION.)

The manufacture and device codes can be allowed reading from selected bank. To read the manufacture and device codes and sector protection status from non-selected bank, it is necessary to write Read/Reset command sequence into the register and then Autoselect command should be written into the bank to be read.

If the software (program code) for Autoselect command is stored into the Flash memory, the device and manufacture codes should be read from the other bank where is not contain the software.

To terminate the operation, it is necessary to write the Read/Reset command sequence into the register, and also to write the Autoselect command during the operation, execute it after writing Read/Reset command sequence.

Byte/Word Programming

The devices are programmed on a byte-by-byte (or word-by-word) basis. Programming is a four bus cycle operation. There are two “unlock” write cycles. These are followed by the program set-up command and data write cycles. Addresses are latched on the falling edge of \overline{CE} or \overline{WE} , whichever happens later and the data is latched on the rising edge of \overline{CE} or \overline{WE} , whichever happens first. The rising edge of \overline{CE} or \overline{WE} (whichever happens first) begins programming. Upon executing the Embedded Program Algorithm command sequence, the system is not required to provide further controls or timings. The device will automatically provide adequate internally generated program pulses and verify the programmed cell margin.

The system can determine the status of the program operation by using DQ_7 (\overline{Data} Polling), DQ_6 (Toggle Bit), or RY/\overline{BY} . The \overline{Data} Polling and Toggle Bit must be performed at the memory location which is being programmed.

The automatic programming operation is completed when the data on DQ_7 is equivalent to data written to this bit at which time the devices return to the read mode and addresses are no longer latched. (See “Hardware Sequence Flags Table”.) Therefore, the devices require that a valid address to the devices be supplied by the system at this particular instance of time. Hence, \overline{Data} Polling must be performed at the memory location which is being programmed.

Any commands written to the chip during this period will be ignored. If hardware reset occurs during the programming operation, it is impossible to guarantee the data are being written.

Programming is allowed in any sequence and across sector boundaries. Beware that a data “0” cannot be programmed back to a “1”. Attempting to do so may either hang up the device or result in an apparent success according to the data polling algorithm but a read from Read/Reset mode will show that the data is still “0”. Only erase operations can convert “0”s to “1”s.

“(1) Embedded Program™ Algorithm” in ■FLOW CHART illustrates the Embedded Program™ Algorithm using typical command strings and bus operations.

Chip Erase

Chip erase is a six bus cycle operation. There are two “unlock” write cycles. These are followed by writing the “set-up” command. Two more “unlock” write cycles are then followed by the chip erase command.

Chip erase does not require the user to program the device prior to erase. Upon executing the Embedded Erase Algorithm command sequence the devices will automatically program and verify the entire memory for an all zero data pattern prior to electrical erase (Preprogram function). The system is not required to provide any controls or timings during these operations.

The system can determine the status of the erase operation by using DQ_7 (\overline{Data} Polling), DQ_6 (Toggle Bit), or RY/\overline{BY} . The chip erase begins on the rising edge of the last \overline{CE} or \overline{WE} , whichever happens first in the command sequence and terminates when the data on DQ_7 is “1” (See Write Operation Status section.) at which time the device returns to read the mode.

Chip Erase Time; Sector Erase Time × All sectors + Chip Program Time (Preprogramming)

“(2) Embedded Erase™ Algorithm” in ■FLOW CHART illustrates the Embedded Erase™ Algorithm using typical command strings and bus operations.

Sector Erase

Sector erase is a six bus cycle operation. There are two “unlock” write cycles. These are followed by writing the “set-up” command. Two more “unlock” write cycles are then followed by the Sector Erase command. The sector address (any address location within the desired sector) is latched on the falling edge of \overline{CE} or \overline{WE} whichever happens later, while the command (Data=30h) is latched on the rising edge of \overline{CE} or \overline{WE} which happens first. After time-out of 50 μ s from the rising edge of the last sector erase command, the sector erase operation will begin.

Multiple sectors may be erased concurrently by writing the six bus cycle operations on “MBM29DL800TA/BA Command Definitions Table” in ■DEVICE BUS OPERATION. This sequence is followed with writes of the Sector Erase command to addresses in other sectors desired to be concurrently erased. The time between writes must be less than 50 μ s otherwise that command will not be accepted and erasure will start. It is recommended that processor interrupts be disabled during this time to guarantee this condition. The interrupts can be re-enabled after the last Sector Erase command is written. A time-out of 50 μ s from the rising edge of last \overline{CE} or \overline{WE} whichever happens first will initiate the execution of the Sector Erase command(s). If another falling edge of \overline{CE} or \overline{WE} , whichever happens first occurs within the 50 μ s time-out window the timer is reset. (Monitor DQ₃ to determine if the sector erase timer window is still open, see section DQ₃, Sector Erase Timer.) Any command other than Sector Erase or Erase Suspend during this time-out period will reset the devices to the read mode, ignoring the previous command string. Resetting the devices once execution has begun will corrupt the data in the sector. In that case, restart the erase on those sectors and allow them to complete. (Refer to the Write Operation Status section for Sector Erase Timer operation.) Loading the sector erase buffer may be done in any sequence and with any number of sectors (0 to 21).

Sector erase does not require the user to program the devices prior to erase. The devices automatically program all memory locations in the sector(s) to be erased prior to electrical erase (Preprogram function). When erasing a sector or sectors the remaining unselected sectors are not affected. The system is not required to provide any controls or timings during these operations.

The system can determine the status of the erase operation by using DQ₇ ($\overline{\text{Data}}$ Polling), DQ₆ (Toggle Bit), or RY/BY.

The sector erase begins after the 50 μ s time out from the rising edge of \overline{CE} or \overline{WE} whichever happens first for the last sector erase command pulse and terminates when the data on DQ₇ is “1” (See Write Operation Status section.) at which time the devices return to the read mode. $\overline{\text{Data}}$ polling and Toggle Bit must be performed at an address within any of the sectors being erased.

Multiple Sector Erase Time; [Sector Erase Time + Sector Program Time (Preprogramming)] × Number of Sector Erase

In case of multiple sector erase across bank boundaries, a read from bank (read-while-erase) can not performe.

“(2) Embedded Erase™ Algorithm” in ■FLOW CHART illustrates the Embedded Erase™ Algorithm using typical command strings and bus operations.

Erase Suspend/Resume

The Erase Suspend command allows the user to interrupt a Sector Erase operation and then perform data reads from or programs to a sector not being erased. This command is applicable ONLY during the Sector Erase operation which includes the time-out period for sector erase. The Erase Suspend command will be ignored if written during the Chip Erase operation or Embedded Program Algorithm. Writing the Erase Suspend command (B0h) during the Sector Erase time-out results in immediate termination of the time-out period and suspension of the erase operation.

Writing the Erase Resume command (30h) resumes the erase operation. The bank addresses of sector being erasing or suspending should be set when writing the Erase Suspend or Erase Resume command.

When the Erase Suspend command is written during the Sector Erase operation, the device will take a maximum of 20 μ s to suspend the erase operation. When the devices have entered the erase-suspended mode, the $\overline{\text{RY}}/\overline{\text{BY}}$ output pin will be at Hi-Z and the DQ_7 bit will be at logic "1", and DQ_6 will stop toggling. The user must use the address of the erasing sector for reading DQ_6 and DQ_7 to determine if the erase operation has been suspended. Further writes of the Erase Suspend command are ignored.

When the erase operation has been suspended, the devices default to the erase-suspend-read mode. Reading data in this mode is the same as reading from the standard read mode except that the data must be read from sectors that have not been erase-suspended. Successively reading from the erase-suspended sector while the device is in the erase-suspend-read mode will cause DQ_2 to toggle. (See the section on DQ_2 .)

After entering the erase-suspend-read mode, the user can program the device by writing the appropriate command sequence for Program. This program mode is known as the erase-suspend-program mode. Again, programming in this mode is the same as programming in the regular Program mode except that the data must be programmed to sectors that are not erase-suspended. Successively reading from the erase-suspended sector while the devices are in the erase-suspend-program mode will cause DQ_2 to toggle. The end of the erase-suspended Program operation is detected by the $\overline{\text{RY}}/\overline{\text{BY}}$ output pin, Data polling of DQ_7 or by the Toggle Bit I (DQ_6) which is the same as the regular Program operation. Note that DQ_7 must be read from the Program address while DQ_6 can be read from any address within bank being erase-suspended.

To resume the operation of Sector Erase, the Resume command (30h) should be written to the bank being erase suspended. Any further writes of the Resume command at this point will be ignored. Another Erase Suspend command can be written after the chip has resumed erasing.

Extended Command

(1) Fast Mode

MBM29DL800TA/BA has Fast Mode function. This mode dispenses with the initial two unlock cycles required in the standard program command sequence by writing Fast Mode command into the command register. In this mode, the required bus cycle for programming is two cycles instead of four bus cycles in standard program command. (Do not write erase command in this mode.) The read operation is also executed after exiting this mode. To exit this mode, it is necessary to write Fast Mode Reset command into the command register. The first cycle must contain the bank address. (Refer to "(8) Embedded Program™ Algorithm for Fast Mode" in ■FLOW CHART Extended algorithm.) The V_{CC} active current is required even $\overline{\text{CE}} = V_{IH}$ during Fast Mode.

(2) Fast Programming

During Fast Mode, the programming can be executed with two bus cycles operation. The Embedded Program Algorithm is executed by writing program set-up command (A0h) and data write cycles (PA/PD). (Refer to "(8) Embedded Program™ Algorithm for Fast Mode" in ■FLOW CHART Extended algorithm.)

(3) Extended Sector Protection

In addition to normal sector protection, the MBM29DL800TA/BA has Extended Sector Protection as extended function. This function enable to protect sector by forcing V_{ID} on $\overline{\text{RESET}}$ pin and write a commnad sequence. Unlike conventional procedure, it is not necessary to force V_{ID} and control timing for control pins. The only $\overline{\text{RESET}}$ pin requires V_{ID} for sector protection in this mode. The extended sector protect requires V_{ID} on $\overline{\text{RESET}}$ pin. With this condition, the operation is initiated by writing the set-up command (60h) into the command register. Then, the sector addresses pins ($A_{18}, A_{17}, A_{16}, A_{15}, A_{14}, A_{13}$ and A_{12}) and (A_6, A_1, A_0) = (0, 1, 0) should be set to the sector to be protected (recommend to set V_{IL} for the other addresses pins), and write extended sector protect command (60h). A sector is typically protected in 250 μ s. To verify programming of the protection circuitry, the sector addresses pins ($A_{18}, A_{17}, A_{16}, A_{15}, A_{14}, A_{13}$ and A_{12}) and (A_6, A_1, A_0) = (0, 1, 0) should be set and write a command (40h). Following the command write, a logical "1" at device output DQ_0 will produce for protected sector in the read operation. If the output data is logical "0", please repeat to write extended sector protect command (60h) again. To terminate the operation, it is necessary to set $\overline{\text{RESET}}$ pin to V_{IH} .

Write Operation Status

Detailed in “Hardware Sequence Flags Table” are all the status flags that can determine the status of the bank for the current mode operation. The read operation from the bank where is not operate Embedded Algorithm returns a data of memory cell. These bits offer a method for determining whether a Embedded Algorithm is completed properly. The information on DQ₂ is address sensitive. This means that if an address from an erasing sector is consecutively read, then the DQ₂ bit will toggle. However, DQ₂ will not toggle if an address from a non-erasing sector is consecutively read. This allows the user to determine which sectors are erasing and which are not.

The status flag is not output from bank (non-busy bank) not executing Embedded Algorithm. For example, there is bank (busy bank) which is now executing Embedded Algorithm. When the read sequence is [1] <busy bank>, [2] <non-busy bank>, [3] <busy bank>, the DQ₆ is toggling in the case of [1] and [3]. In case of [2], the data of memory cell is outputted. In the erase-suspend read mode with the same read sequence, DQ₆ will not be toggled in the [1] and [3].

In the erase suspend read mode, DQ₂ is toggled in the [1] and [3]. In case of [2], the data of memory cell is outputted.

Hardware Sequence Flags Table

Status		DQ ₇	DQ ₆	DQ ₅	DQ ₃	DQ ₂	
In Progress	Embedded Program Algorithm	\overline{DQ}_7	Toggle	0	0	1	
	Embedded Erase Algorithm	0	Toggle	0	1	Toggle*1	
	Erase Suspended Mode	Erase Suspend Read (Erase Suspended Sector)	1	1	0	0	Toggle
		Erase Suspend Read (Non-Erase Suspended Sector)	Data	Data	Data	Data	Data
	Erase Suspend Program (Non-Erase Suspended Sector)	\overline{DQ}_7	Toggle	0	0	1*2	
Exceeded Time Limits	Embedded Program Algorithm	\overline{DQ}_7	Toggle	1	0	1	
	Embedded Erase Algorithm	0	Toggle	1	1	N/A	
	Erase Suspended Mode	Erase Suspend Program (Non-Erase Suspended Sector)	\overline{DQ}_7	Toggle	1	0	N/A

*1 : Successive reads from the erasing or erase-suspend sector cause DQ₂ to toggle.

*2 : Reading from non-erase suspend sector address indicates logic “1” at the DQ₂ bit.

DQ₇

Data Polling

The MBM29DL800TA/BA devices feature $\overline{\text{Data}}$ Polling as a method to indicate to the host that the Embedded Algorithms are in progress or completed. During the Embedded Program Algorithm an attempt to read the devices will produce the complement of the data last written to DQ₇. Upon completion of the Embedded Program Algorithm, an attempt to read the device will produce the true data last written to DQ₇. During the Embedded Erase Algorithm, an attempt to read the device will produce a “0” at the DQ₇ output. Upon completion of the Embedded Erase Algorithm an attempt to read the device will produce a “1” at the DQ₇ output. The flowchart for Data Polling (DQ₇) is shown in “(3) Data Polling Algorithm” in ■FLOW CHART.

For programming, the $\overline{\text{Data}}$ Polling is valid after the rising edge of fourth write pulse in the four write pulse sequence.

For chip erase and sector erase, the $\overline{\text{Data}}$ Polling is valid after the rising edge of the sixth write pulse in the six write pulse sequence. $\overline{\text{Data}}$ Polling must be performed at sector address within any of the sectors being erased and not a protected sector. Otherwise, the status may not be valid.

If a program address falls within a protected sector, $\overline{\text{Data}}$ Polling on DQ₇ is active for approximately 1 μs , then that bank returns to the read mode. After an erase command sequence is written, if all sectors selected for erasing are protected, $\overline{\text{Data}}$ Polling on DQ₇ is active for approximately 100 μs , then the bank returns to read mode.

Once the Embedded Algorithm operation is close to being completed, the MBM29DL800TA/BA data pins (DQ₇) may change asynchronously while the output enable ($\overline{\text{OE}}$) is asserted low. This means that the devices are driving status information on DQ₇ at one instant of time and then that byte's valid data at the next instant of time. Depending on when the system samples the DQ₇ output, it may read the status or valid data. Even if the device has completed the Embedded Algorithm operation and DQ₇ has a valid data, the data outputs on DQ₀ to DQ₆ may be still invalid. The valid data on DQ₀ to DQ₇ will be read on the successive read attempts.

The Data Polling feature is only active during the Embedded Programming Algorithm, Embedded Erase Algorithm or sector erase time-out. (See “Hardware Sequence Flags Table”).

See “(6) AC Waveforms for $\overline{\text{Data}}$ Polling during Embedded Algorithm Operations” in ■TIMING DIAGRAM for the Data Polling timing specifications and diagrams.

DQ₆

Toggle Bit I

The MBM29DL800TA/BA also feature the “Toggle Bit I” as a method to indicate to the host system that the Embedded Algorithms are in progress or completed.

During an Embedded Program or Erase Algorithm cycle, successive attempts to read ($\overline{\text{OE}}$ toggling) data from the devices will result in DQ₆ toggling between one and zero. Once the Embedded Program or Erase Algorithm cycle is completed, DQ₆ will stop toggling and valid data will be read on the next successive attempts. During programming, the Toggle Bit I is valid after the rising edge of the fourth write pulse in the four write pulse sequence. For chip erase and sector erase, the Toggle Bit I is valid after the rising edge of the sixth write pulse in the six write pulse sequence. The Toggle Bit I is active during the sector time out.

In programming, if the sector being written to is protected, the toggle bit will toggle for about 2 μs and then stop toggling without the data having changed. In erase, the devices will erase all the selected sectors except for the ones that are protected. If all selected sectors are protected, the chip will toggle the toggle bit for about 100 μs and then drop back into read mode, having changed none of the data.

Either $\overline{\text{CE}}$ or $\overline{\text{OE}}$ toggling will cause the DQ₆ to toggle. In addition, an Erase Suspend/Resume command will cause the DQ₆ to toggle.

The system can use DQ₆ to determine whether a sector is actively erasing or is erase-suspended. When a bank is actively erasing (that is, the Embedded Erase Algorithm is in progress), DQ₆ toggles. When a bank enters the Erase Suspend mode, DQ₆ stops toggling. Successive read cycles during the erase-suspend-program cause DQ₆ to toggle.

To operate toggle bit function properly, \overline{CE} or \overline{OE} must be high when bank address is changed.

See “(7) AC Waveforms for Toggle Bit I during Embedded Algorithm Operations” in ■TIMING DIAGRAM for the Toggle Bit I timing specifications and diagrams.

DQ₅

Exceeded Timing Limits

DQ₅ will indicate if the program or erase time has exceeded the specified limits (internal pulse count). Under these conditions DQ₅ will produce a “1”. This is a failure condition which indicates that the program or erase cycle was not successfully completed. Data Polling is the only operating function of the devices under this condition. The \overline{CE} circuit will partially power down the device under these conditions (to approximately 2 mA). The \overline{OE} and \overline{WE} pins will control the output disable functions as described in “MBM29DL800TA/BA User Bus Operations Tables ($\overline{BYTE} = V_{IH}$ and $\overline{BYTE} = V_{IL}$)” (in ■DEVICE BUS OPERATION).

The DQ₅ failure condition may also appear if a user tries to program a non blank location without erasing. In this case the devices lock out and never complete the Embedded Algorithm operation. Hence, the system never reads a valid data on DQ₇ bit and DQ₆ never stops toggling. Once the devices have exceeded timing limits, the DQ₅ bit will indicate a “1.” Please note that this is not a device failure condition since the devices were incorrectly used. If this occurs, reset the device with command sequence.

DQ₃

Sector Erase Timer

After the completion of the initial sector erase command sequence the sector erase time-out will begin. DQ₃ will remain low until the time-out is complete. Data Polling and Toggle Bit are valid after the initial sector erase command sequence.

If \overline{Data} Polling or the Toggle Bit I indicates the device has been written with a valid erase command, DQ₃ may be used to determine if the sector erase timer window is still open. If DQ₃ is high (“1”) the internally controlled erase cycle has begun; attempts to write subsequent commands to the device will be ignored until the erase operation is completed as indicated by \overline{Data} Polling or Toggle Bit I. If DQ₃ is low (“0”), the device will accept additional sector erase commands. To insure the command has been accepted, the system software should check the status of DQ₃ prior to and following each subsequent Sector Erase command. If DQ₃ were high on the second status check, the command may not have been accepted.

See “Hardware Sequence Flags Table”.

DQ₂

Toggle Bit II

This toggle bit II, along with DQ₆, can be used to determine whether the devices are in the Embedded Erase Algorithm or in Erase Suspend.

Successive reads from the erasing sector will cause DQ₂ to toggle during the Embedded Erase Algorithm. If the devices are in the erase-suspended-read mode, successive reads from the erase-suspended sector will cause DQ₂ to toggle. When the devices are in the erase-suspended-program mode, successive reads from the byte address of the non-erase suspended sector will indicate a logic “1” at the DQ₂ bit.

DQ₆ is different from DQ₂ in that DQ₆ toggles only when the standard program or Erase, or Erase Suspend Program operation is in progress. The behavior of these two status bits, along with that of DQ₇, is summarized as follows:

For example, DQ₂ and DQ₆ can be used together to determine if the erase-suspend-read mode is in progress. (DQ₂ toggles while DQ₆ does not.) See also “Hardware Sequence Flags Table” and “(16) DQ₂ vs. DQ₆” in ■TIMING DIAGRAM.

Furthermore, DQ₂ can also be used to determine which sector is being erased. When the device is in the erase mode, DQ₂ toggles if this bit is read from an erasing sector.

To operate toggle bit function properly, \overline{CE} or \overline{OE} must be high when bank address is changed.

Reading Toggle Bits DQ₆/DQ₂

Whenever the system initially begins reading toggle bit status, it must read DQ₇ to DQ₀ at least twice in a row to determine whether a toggle bit is toggling. Typically, a system would note and store the value of the toggle bit after the first read. After the second read, the system would compare the new value of the toggle bit with the first. If the toggle bit is not toggling, this indicates that the device has completed the program or erase operation. The system can read array data on DQ₇ to DQ₀ on the following read cycle.

However, if after the initial two read cycles, the system determines that the toggle bit is still toggling, the system also should note whether the value of DQ₅ is high (see “the section on DQ₅”). If it is the system should then determine again whether the toggle bit is toggling, since the toggle bit may have stopped toggling just as DQ₅ went high. If the toggle bit is no longer toggling, the device has successfully completed the program or erase operation. If it is still toggling, the device did not complete the operation successfully, and the system must write the reset command to return to reading array data.

The remaining scenario is that the system initially determines that the toggle bit is toggling and DQ₅ has not gone high. The system may continue to monitor the toggle bit and DQ₅ through successive read cycles, determining the status as described in the previous paragraph. Alternatively, it may choose to perform other system tasks. In this case, the system must start at the beginning of the algorithm when it returns to determine the status of the operation (See “(4) Toggle bit algorithm” in ■FLOW CHART).

Toggle Bit Status Table

Mode	DQ ₇	DQ ₆	DQ ₂
Program	$\overline{DQ_7}$	Toggle	1
Erase	0	Toggle	Toggle* ¹
Erase-Suspend Read (Erase-Suspended Sector)	1	1	Toggle
Erase-Suspend Program	$\overline{DQ_7}$	Toggle	1* ²

*1 : Successive reads from the erasing or erase-suspend sector cause DQ₂ to toggle.

*2 : Reading from non-erase suspend sector address indicates logic “1” at the DQ₂ bit.

R_Y/ \overline{B} Y

Ready/Busy

The MBM29DL800TA/BA provide a R_Y/ \overline{B} Y open-drain output pin as a way to indicate to the host system that the Embedded Algorithms are either in progress or has been completed. If the output is low, the devices are busy with either a program or erase operation. If the output is high, the devices are ready to accept any read/write or erase operation. When the R_Y/ \overline{B} Y pin is low, the devices will not accept any additional program or erase commands. If the MBM29DL800TA/BA are placed in an Erase Suspend mode, the R_Y/ \overline{B} Y output will be high.

During programming, the R_Y/ \overline{B} Y pin is driven low after the rising edge of the fourth write pulse. During an erase operation, the R_Y/ \overline{B} Y pin is driven low after the rising edge of the sixth write pulse. The R_Y/ \overline{B} Y pin will indicate a busy condition during the $\overline{R}ESET$ pulse. Refer to “(8) R_Y/ \overline{B} Y Timing Diagram during Program/Erase Operations” and “(9) $\overline{R}ESET$ /R_Y/ \overline{B} Y Timing Diagram” in ■TIMING DIAGRAM for a detailed timing diagram. The R_Y/ \overline{B} Y pin is pulled high in standby mode.

Since this is an open-drain output, the pull-up resistor needs to be connected to V_{CC}; multiples of devices may be connected to the host system via more than one R_Y/ \overline{B} Y pin in parallel.

Byte/Word Configuration

The $\overline{B}YTE$ pin selects the byte (8-bit) mode or word (16-bit) mode for the MBM29DL800TA/BA devices. When this pin is driven high, the devices operate in the word (16-bit) mode. The data is read and programmed at DQ₀.

to DQ₁₅. When this pin is driven low, the devices operate in byte (8-bit) mode. Under this mode, the DQ₁₅/A-1 pin becomes the lowest address bit and DQ₈ to DQ₁₄ bits are tri-stated. However, the command bus cycle is always an 8-bit operation and hence commands are written at DQ₀ to DQ₇ and the DQ₈ to DQ₁₅ bits are ignored. Refer to “(10) Timing Diagram for Word Mode Configuration” and “(11) Timing Diagram for Byte Mode Configuration” and “(12) $\overline{\text{BYTE}}$ Timing Diagram for Write Operations” in ■TIMING DIAGRAM for the timing diagram.

Data Protection

The MBM29DL800TA/BA are designed to offer protection against accidental erasure or programming caused by spurious system level signals that may exist during power transitions. During power up the devices automatically reset the internal state machine in the Read mode. Also, with its control register architecture, alteration of the memory contents only occurs after successful completion of specific multi-bus cycle command sequences.

The devices also incorporate several features to prevent inadvertent write cycles resulting from V_{CC} power-up and power-down transitions or system noise.

Low V_{CC} Write Inhibit

To avoid initiation of a write cycle during V_{CC} power-up and power-down, a write cycle is locked out for V_{CC} less than 2.3 V (typically 2.4 V). If V_{CC} < V_{LKO}, the command register is disabled and all internal program/erase circuits are disabled. Under this condition the device will reset to the read mode. Subsequent writes will be ignored until the V_{CC} level is greater than V_{LKO}. It is the users responsibility to ensure that the control pins are logically correct to prevent unintentional writes when V_{CC} is above 2.3 V.

If Embedded Erase Algorithm is interrupted, there is possibility that the erasing sector(s) cannot be used.

Write Pulse “Glitch” Protection

Noise pulses of less than 3 ns (typical) on $\overline{\text{OE}}$, $\overline{\text{CE}}$, or $\overline{\text{WE}}$ will not initiate a write cycle.

Logical Inhibit

Writing is inhibited by holding any one of $\overline{\text{OE}} = V_{\text{IL}}$, $\overline{\text{CE}} = V_{\text{IH}}$, or $\overline{\text{WE}} = V_{\text{IH}}$. To initiate a write cycle $\overline{\text{CE}}$ and $\overline{\text{WE}}$ must be a logical zero while $\overline{\text{OE}}$ is a logical one.

Power-Up Write Inhibit

Power-up of the devices with $\overline{\text{WE}} = \overline{\text{CE}} = V_{\text{IL}}$ and $\overline{\text{OE}} = V_{\text{IH}}$ will not accept commands on the rising edge of $\overline{\text{WE}}$. The internal state machine is automatically reset to the read mode on power-up.

Sector Protection

Device user is able to protect each sector individually to store and protect data. Protection circuit voids both program and erase commands that are addressed to protected sectors.

Any commands to program or erase addressed to protected sector are ignored (see “Sector Protection” in ■FUNCTIONAL DESCRIPTION)

■ ABSOLUTE MAXIMUM RATINGS

Parameter	Symbol	Rating		Unit
		Min	Max	
Storage Temperature	T _{stg}	-55	+125	°C
Ambient Temperature with Power Applied	T _A	-40	+85	°C
Voltage with respect to Ground All pins except A ₉ , $\overline{\text{OE}}$, $\overline{\text{RESET}}$ *2	V _{IN} , V _{OUT}	-0.5	V _{CC} +0.5	V
A ₉ , $\overline{\text{OE}}$, and $\overline{\text{RESET}}$ *1, *3	V _{IN}	-0.5	+13.0	V
Power Supply Voltage*1	V _{CC}	-0.5	+5.5	V

*1 : Voltage is defined on the basis of V_{SS} = GND = 0 V.

*2 : Minimum DC voltage on input or I/O pins are -0.5 V. During voltage transitions, input or I/O pins may undershoot V_{SS} to -2.0 V for periods of up to 20 ns. Maximum DC voltage on input or I/O pins is V_{CC} +0.5 V. During voltage transitions, input or I/O pins may overshoot to V_{CC} +2.0 V for periods of up to 20 ns.

*3 : Minimum DC input voltage on A₉, $\overline{\text{OE}}$ and $\overline{\text{RESET}}$ pins is -0.5 V. During voltage transitions, A₉, $\overline{\text{OE}}$ and $\overline{\text{RESET}}$ pins may undershoot V_{SS} to -2.0 V for periods of up to 20 ns. Voltage difference between input and supply voltage (V_{IN}-V_{CC}) does not exceed +9.0 V. Maximum DC input voltage on A₉, $\overline{\text{OE}}$ and $\overline{\text{RESET}}$ pins is +13.0 V which may overshoot to +14.0 V for periods of up to 20 ns.

WARNING: Semiconductor devices can be permanently damaged by application of stress (voltage, current, temperature, etc.) in excess of absolute maximum ratings. Do not exceed these ratings.

■ RECOMMENDED OPERATING CONDITIONS

Parameter	Symbol	Part No.	Value		Unit
			Min	Max	
Ambient Temperature	T _A	—	-40	+85	°C
Power Supply Voltages*	V _{CC}	-70	+3.0	+3.6	V
		-90	+2.7	+3.6	V

* : Voltage is defined on the basis of V_{SS} = GND = 0 V.

Note: Operating ranges define those limits between which the functionality of the devices are guaranteed.

WARNING: The recommended operating conditions are required in order to ensure the normal operation of the semiconductor device. All of the device's electrical characteristics are warranted when the device is operated within these ranges.

Always use semiconductor devices within their recommended operating condition ranges. Operation outside these ranges may adversely affect reliability and could result in device failure.

No warranty is made with respect to uses, operating conditions, or combinations not represented on the data sheet. Users considering application outside the listed conditions are advised to contact their FUJITSU representatives beforehand.

■ MAXIMUM OVERSHOOT/MAXIMUM UNDERSHOOT

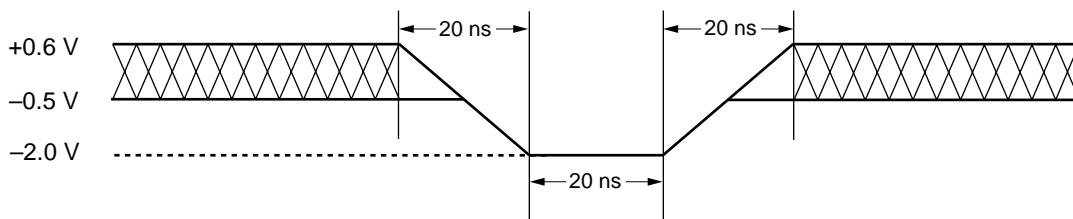


Figure 1 Maximum Undershoot Waveform

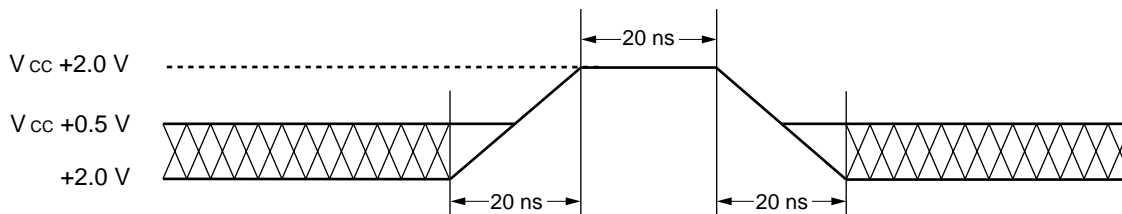
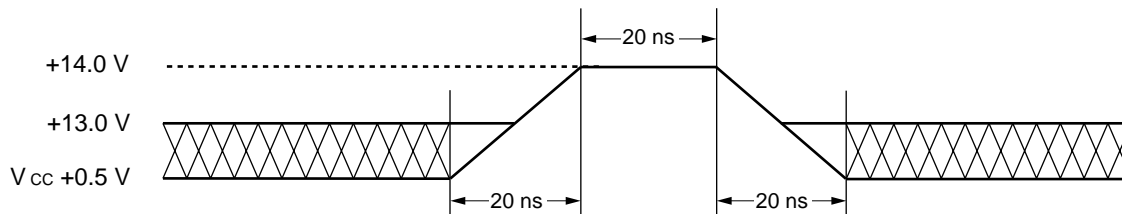


Figure 2 Maximum Overshoot Waveform 1



Note : This waveform is applied for A_9 , \overline{OE} , and \overline{RESET} .

Figure 3 Maximum Overshoot Waveform 2

■ DC CHARACTERISTICS

Parameter	Symbol	Conditions	Value			Unit	
			Min	Typ	Max		
Input Leakage Current	I_{LI}	$V_{IN} = V_{SS}$ to V_{CC} , $V_{CC} = V_{CC}$ Max	-1.0	—	+1.0	μA	
Output Leakage Current	I_{LO}	$V_{OUT} = V_{SS}$ to V_{CC} , $V_{CC} = V_{CC}$ Max	-1.0	—	+1.0	μA	
A_9 , \overline{OE} , \overline{RESET} Inputs Leakage Current	I_{LIT}	$V_{CC} = V_{CC}$ Max A_9 , \overline{OE} , $\overline{RESET} = 12.5$ V	—	—	35	μA	
V _{CC} Active Current *1	I_{CC1}	$\overline{CE} = V_{IL}$, $\overline{OE} = V_{IH}$, f=10 MHz	Byte	—	—	18	mA
			Word	—	—	20	
		$\overline{CE} = V_{IL}$, $\overline{OE} = V_{IH}$, f=5 MHz	Byte	—	—	8	mA
			Word	—	—	10	
V _{CC} Active Current *2	I_{CC2}	$\overline{CE} = V_{IL}$, $\overline{OE} = V_{IH}$	—	—	35	mA	
V _{CC} Current (Standby)	I_{CC3}	$V_{CC} = V_{CC}$ Max, $\overline{CE} = V_{CC} \pm 0.3$ V, $\overline{RESET} = V_{CC} \pm 0.3$ V	—	1	5	μA	
V _{CC} Current (Standby, Reset)	I_{CC4}	$V_{CC} = V_{CC}$ Max, $\overline{RESET} = V_{SS} \pm 0.3$ V	—	1	5	μA	
V _{CC} Current (Automatic Sleep Mode) *5	I_{CC5}	$V_{CC} = V_{CC}$ Max, $\overline{CE} = V_{SS} \pm 0.3$ V, $\overline{RESET} = V_{CC} \pm 0.3$ V $V_{IN} = V_{CC} \pm 0.3$ V or $V_{SS} \pm 0.3$ V	—	1	5	μA	
V _{CC} Active Current *6 (Read-While-Program)	I_{CC6}	$\overline{CE} = V_{IL}$, $\overline{OE} = V_{IH}$	Byte	—	—	45	mA
			Word	—	—	45	
V _{CC} Active Current *6 (Read-While-Erase)	I_{CC7}	$\overline{CE} = V_{IL}$, $\overline{OE} = V_{IH}$	Byte	—	—	45	mA
			Word	—	—	45	
V _{CC} Active Current (Erase-Suspend-Program)	I_{CC8}	$\overline{CE} = V_{IL}$, $\overline{OE} = V_{IH}$	—	—	35	mA	
Input Low Voltage	V_{IL}	—	-0.5	—	0.6	V	
Input High Voltage	V_{IH}	—	2.0	—	$V_{CC}+0.3$	V	
Voltage for Autoselect and Sector Protection (A_9 , \overline{OE} , \overline{RESET}) *3, *4	V_{ID}	—	11.5	12	12.5	V	
Output Low Voltage	V_{OL}	$I_{OL} = 4.0$ mA, $V_{CC} = V_{CC}$ Min	—	—	0.45	V	
Output High Voltage	V_{OH1}	$I_{OH} = -2.0$ mA, $V_{CC} = V_{CC}$ Min	2.4	—	—	V	
	V_{OH2}	$I_{OH} = -100$ μA	$V_{CC}-0.4$	—	—	V	
Low V _{CC} Lock-Out Voltage	V_{LKO}	—	2.3	2.4	2.5	V	

*1 : The I_{CC} current listed includes both the DC operating current and the frequency dependent component.

*2 : I_{CC} active while Embedded Algorithm (program or erase) is in progress.

*3 : This timing is only for Sector Protection operation and Autoselect mode.

*4 : Applicable for only V_{CC} applying.

*5 : Automatic sleep mode enables the low power mode when address remain stable for 150 ns.

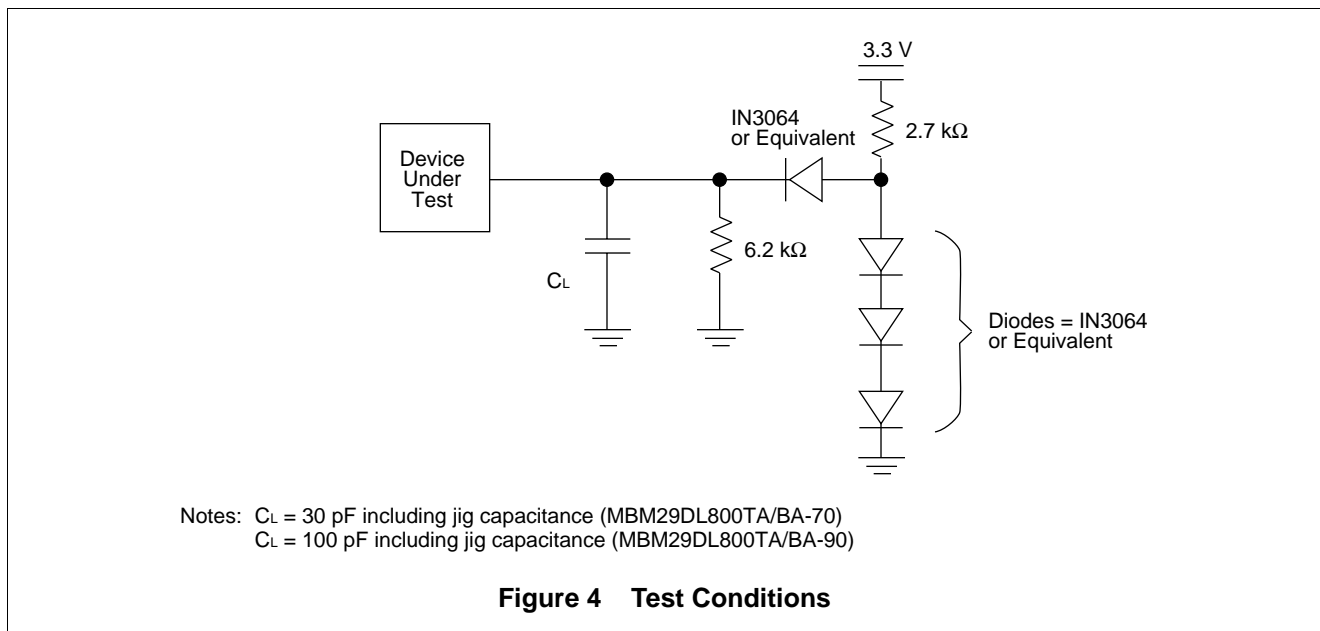
*6 : Embedded Algorithm (program or erase) is in progress. (@5 MHz)

■ AC CHARACTERISTICS

• Read Only Operations Characteristics

Parameter	Symbols		Test Setup	Value (Note)				Unit
	JEDEC	Standard		-70		-90		
				Min	Max	Min	Max	
Read Cycle Time	t_{AVAV}	t_{RC}	—	70	—	90	—	ns
Address to Output Delay	t_{AVQV}	t_{ACC}	$\overline{CE} = V_{IL}$ $\overline{OE} = V_{IL}$	—	70	—	90	ns
Chip Enable to Output Delay	t_{ELQV}	t_{CE}	$\overline{OE} = V_{IL}$	—	90	—	90	ns
Output Enable to Output Delay	t_{GLQV}	t_{OE}	—	—	30	—	35	ns
Chip Enable to Output High-Z	t_{EHQZ}	t_{DF}	—	—	25	—	30	ns
Output Enable to Output High-Z	t_{GHQZ}	t_{DF}	—	—	25	—	30	ns
Output Hold Time From Addresses, \overline{CE} or \overline{OE} , Whichever Occurs First	t_{AXQX}	t_{OH}	—	0	—	0	—	ns
\overline{RESET} Pin Low to Read Mode	—	t_{READY}	—	—	20	—	20	μs
\overline{CE} to \overline{BYTE} Switching Low or High	—	t_{ELFL} t_{ELFH}	—	—	5	—	5	ns

Note: Test Conditions:
 Output Load: 1TTL gate and 30 pF (MBM29DL800TA/BA-70)
 1TTL gate and 100 pF (MBM29DL800TA/BA-90)
 Input rise and fall times: 5 ns
 Input pulse levels: 0.0 V or 3.0 V
 Timing measurement reference level
 Input: 1.5 V
 Output: 1.5 V



MBM29DL800TA-70/90/MBM29DL800BA-70/90

• Write/Erase/Program Operations

Parameter	Symbol		Value						Unit	
			-70			-90				
	JEDEC	Standard	Min	Typ	Max	Min	Typ	Max		
Write Cycle Time	t _{AVAV}	t _{WC}	70	—	—	90	—	—	ns	
Address Setup Time	t _{AVWL}	t _{AS}	0	—	—	0	—	—	ns	
Address Setup Time to \overline{OE} Low During Toggle Bit Polling	—	t _{ASO}	15	—	—	15	—	—	ns	
Address Hold Time	t _{WLAX}	t _{AH}	45	—	—	45	—	—	ns	
Address Hold Time from \overline{CE} or \overline{OE} High During Toggle Bit Polling	—	t _{AHT}	0	—	—	0	—	—	ns	
Data Setup Time	t _{DVWH}	t _{DS}	35	—	—	45	—	—	ns	
Data Hold Time	t _{WHDX}	t _{DH}	0	—	—	0	—	—	ns	
Output Enable Hold Time	Read	—	t _{OEH}	0	—	—	0	—	—	ns
	Toggle and \overline{Data} Polling			10	—	—	10	—	—	ns
\overline{CE} High During Toggle Bit Polling	—	t _{CEPH}	20	—	—	20	—	—	ns	
\overline{OE} High During Toggle Bit Polling	—	t _{OEPH}	20	—	—	20	—	—	ns	
Read Recover Time Before Write	t _{GHWL}	t _{GHWL}	0	—	—	0	—	—	ns	
Read Recover Time Before Write	t _{GHEL}	t _{GHEL}	0	—	—	0	—	—	ns	
\overline{CE} Setup Time	t _{ELWL}	t _{CS}	0	—	—	0	—	—	ns	
\overline{WE} Setup Time	t _{WLLEL}	t _{WS}	0	—	—	0	—	—	ns	
\overline{CE} Hold Time	t _{WHEH}	t _{CH}	0	—	—	0	—	—	ns	
\overline{WE} Hold Time	t _{EHWH}	t _{WH}	0	—	—	0	—	—	ns	
Write Pulse Width	t _{WLWH}	t _{WP}	35	—	—	45	—	—	ns	
\overline{CE} Pulse Width	t _{ELEH}	t _{CP}	35	—	—	45	—	—	ns	
Write Pulse Width High	t _{WHWL}	t _{WPH}	25	—	—	25	—	—	ns	
\overline{CE} Pulse Width High	t _{EHEL}	t _{CPH}	25	—	—	25	—	—	ns	
Programming Operation	Byte	t _{WHWH1}	t _{WHWH1}	—	8	—	—	8	—	μs
	Word			—	16	—	—	16	—	μs
Sector Erase Operation *1	t _{WHWH2}	t _{WHWH2}	—	1	—	—	1	—	s	
V _{CC} Setup Time	—	t _{VCS}	50	—	—	50	—	—	μs	
Rise Time to V _{ID} *2	—	t _{VIDR}	500	—	—	500	—	—	ns	
Voltage Transition Time *2	—	t _{VLHT}	4	—	—	4	—	—	μs	
Write Pulse Width *2	—	t _{WPP}	100	—	—	100	—	—	μs	
\overline{OE} Setup Time to \overline{WE} Active *2	—	t _{OESP}	4	—	—	4	—	—	μs	

(Continued)

MBM29DL800TA-70/90/MBM29DL800BA-70/90

(Continued)

Parameter	Symbol		Value						Unit
			-70			-90			
	JEDEC	Standard	Min	Typ	Max	Min	Typ	Max	
\overline{CE} Setup Time to \overline{WE} Active *2	—	t _{CSP}	4	—	—	4	—	—	μs
Recover Time From RY/ \overline{BY}	—	t _{RB}	0	—	—	0	—	—	ns
\overline{RESET} Pulse Width	—	t _{RP}	500	—	—	500	—	—	ns
\overline{RESET} Hold Time Before Read	—	t _{RH}	200	—	—	200	—	—	ns
\overline{BYTE} Switching Low to Output High-Z	—	t _{FLQZ}	—	—	25	—	—	30	ns
\overline{BYTE} Switching High to Output Active	—	t _{FHQV}	—	—	70	—	—	90	ns
Program/Erase Valid to RY/ \overline{BY} Delay	—	t _{BUSY}	—	—	90	—	—	90	ns
Delay Time from Embedded Output Enable	—	t _{EOE}	—	—	70	—	—	90	ns

*1 : This does not include the preprogramming time.

*2 : This timing is for Sector Protection operation.

■ ERASE AND PROGRAMMING PERFORMANCE

Parameter	Limits			Unit	Comments
	Min	Typ	Max		
Sector Erase Time	—	1	10	s	Excludes programming time prior to erasure
Word Programming Time	—	16	360	μs	Excludes system-level overhead
Byte Programming Time	—	8	300	μs	
Chip Programming Time	—	8.4	25	s	Excludes system-level overhead
Program/Erase Cycle	100,000	—	—	cycle	—

■ TSOP(1) PIN CAPACITANCE

Parameter	Symbol	Test Setup	Value		Unit
			Typ	Max	
Input Capacitance	C _{IN}	V _{IN} = 0	6	7.5	pF
Output Capacitance	C _{OUT}	V _{OUT} = 0	8.5	12	pF
Control Pin Capacitance	C _{IN2}	V _{IN} = 0	8	10	pF

Notes : • Test conditions T_A = +25°C, f = 1.0 MHz
 • DQ₁₅/A-1 pin capacitance is stipulated by output capacitance.




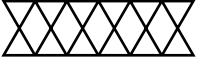
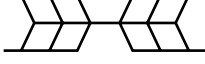
■ FBGA PIN CAPACITANCE

Parameter	Symbol	Test Setup	Value		Unit
			Typ	Max	
Input Capacitance	C _{IN}	V _{IN} = 0	6	7.5	pF
Output Capacitance	C _{OUT}	V _{OUT} = 0	8.5	12	pF
Control Pin Capacitance	C _{IN2}	V _{IN} = 0	8	10	pF

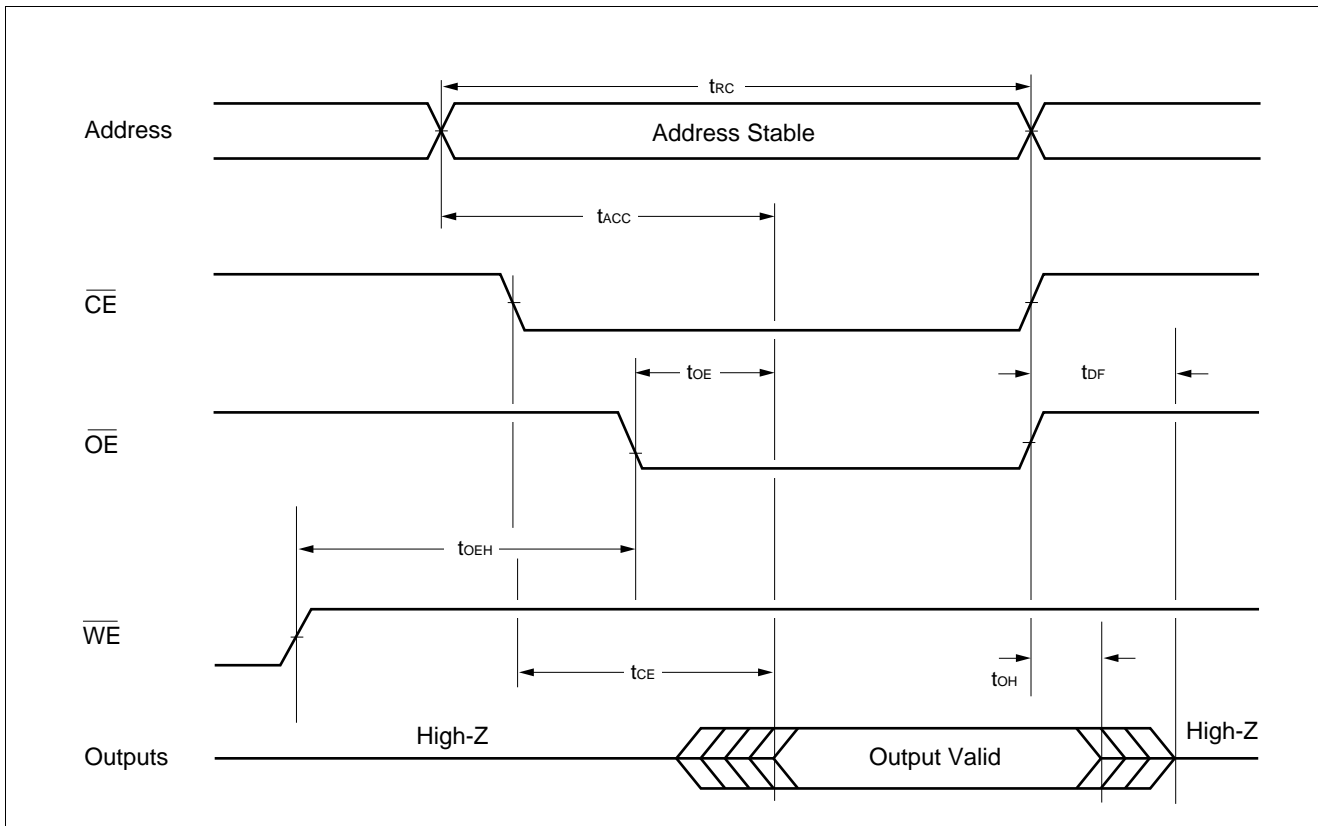
Notes : • Test conditions T_A = +25°C, f = 1.0 MHz
 • DQ₁₅/A-1 pin capacitance is stipulated by output capacitance.

TIMING DIAGRAM

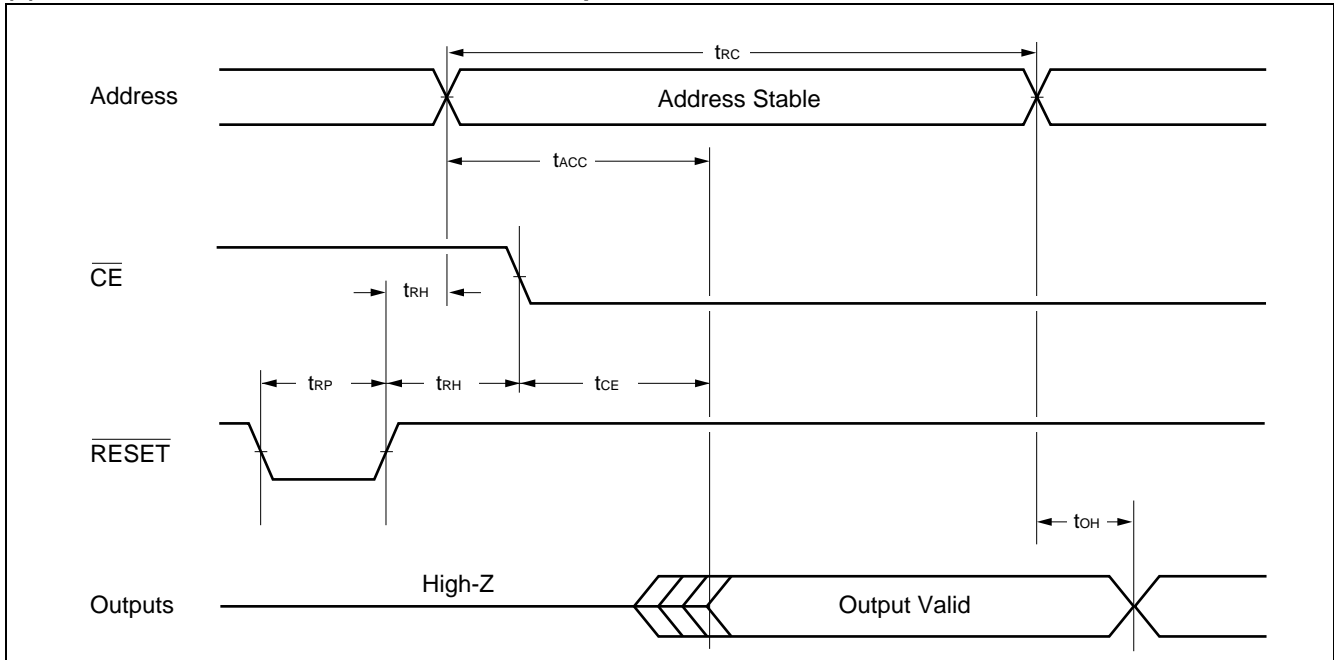
- Key to Switching Waveforms

WAVEFORM	INPUTS	OUTPUTS
	Must Be Steady	Will Be Steady
	May Change from H to L	Will Be Changing from H to L
	May Change from L to H	Will Be Changing from L to H
	"H" or "L" Any Change Permitted	Changing State Unknown
	Does Not Apply	Center Line is High-Impedance "Off" State

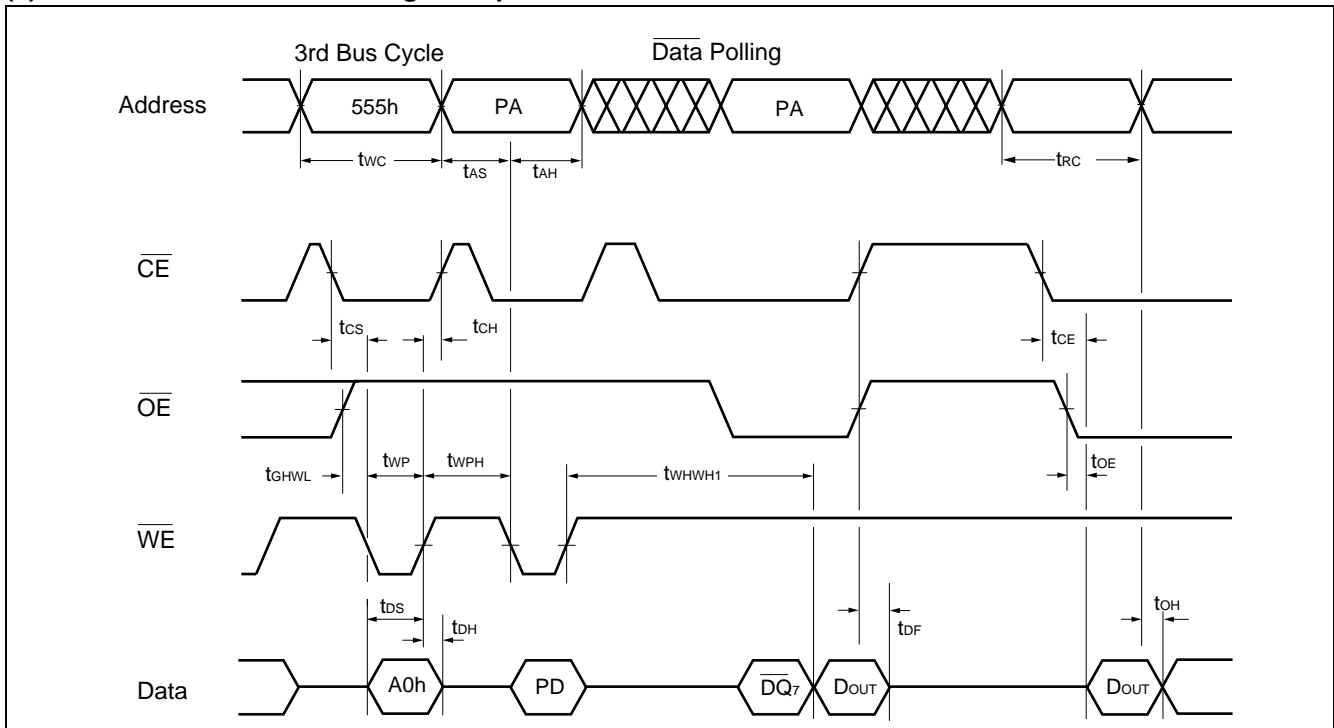
(1) AC Waveforms for Read Operations



(2) AC Waveforms for Hardware Reset/Read Operations

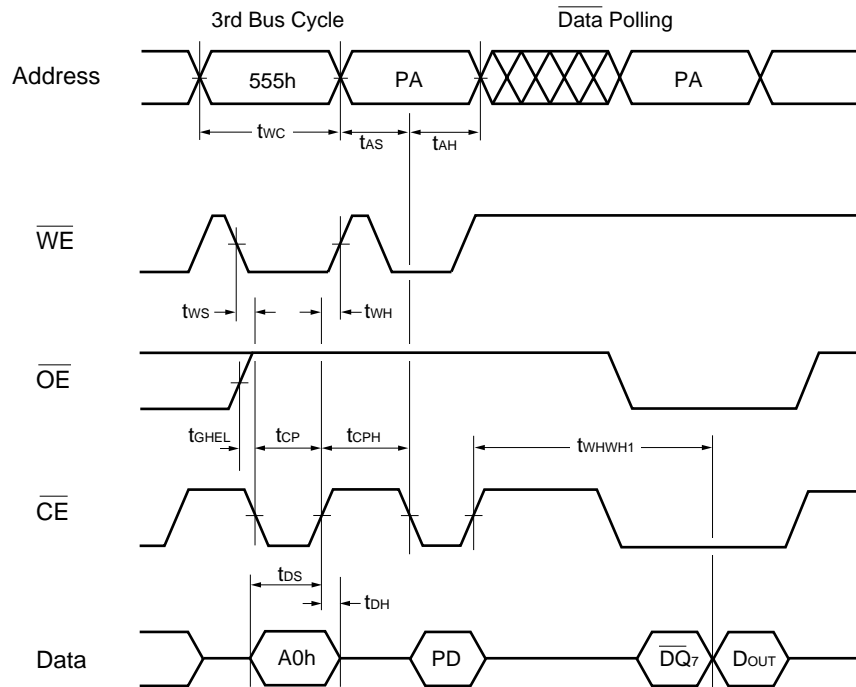


(3) Alternate \overline{WE} Controlled Program Operations



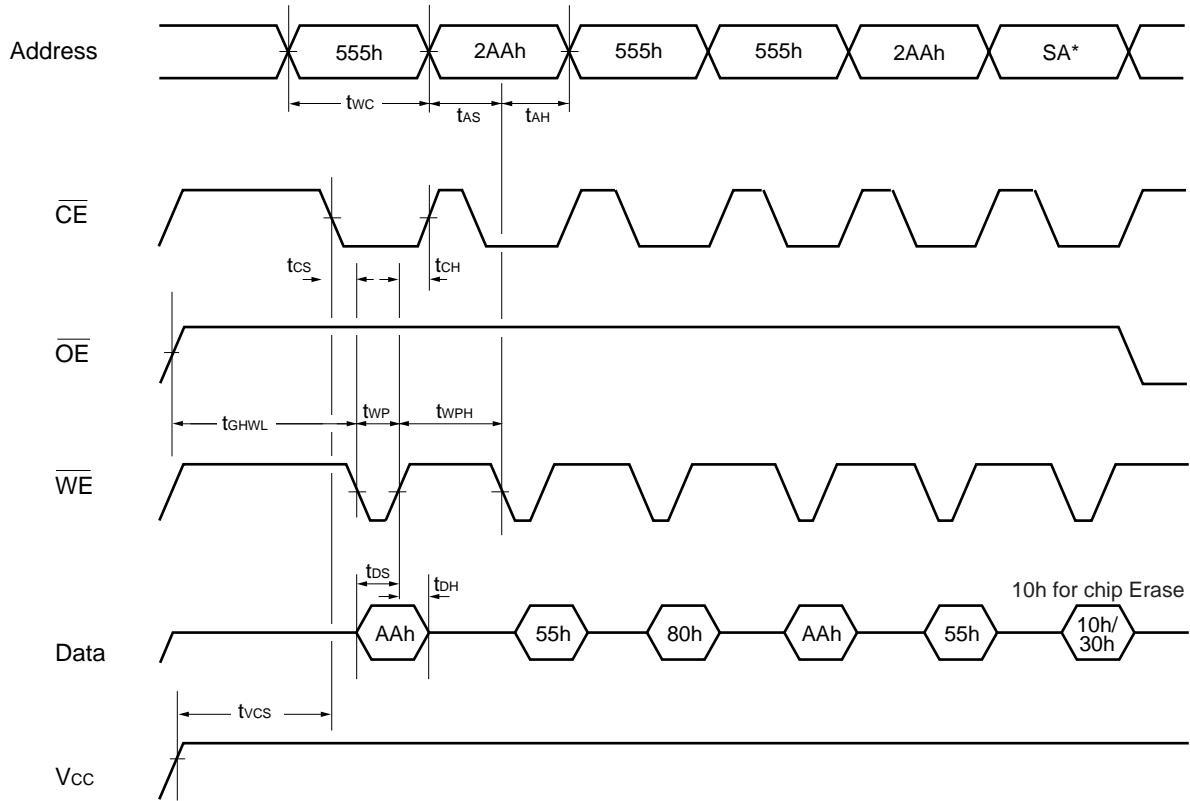
- Notes:
- PA is address of the memory location to be programmed.
 - PD is data to be programmed at byte address.
 - \overline{DQ}_7 is the output of the complement of the data written to the device.
 - D_{OUT} is the output of the data written to the device.
 - Figure indicates last two bus cycles out of four bus cycle sequence.
 - These waveforms are for the $\times 16$ mode. The addresses differ from $\times 8$ mode.

(4) Alternate $\overline{\text{CE}}$ Controlled Program Operations



- Notes:
- PA is address of the memory location to be programmed.
 - PD is data to be programmed at byte address.
 - $\overline{\text{DQ}}_7$ is the output of the complement of the data written to the device.
 - D_{OUT} is the output of the data written to the device.
 - Figure indicates last two bus cycles out of four bus cycle sequence.
 - These waveforms are for the $\times 16$ mode. (The addresses differ from $\times 8$ mode.)

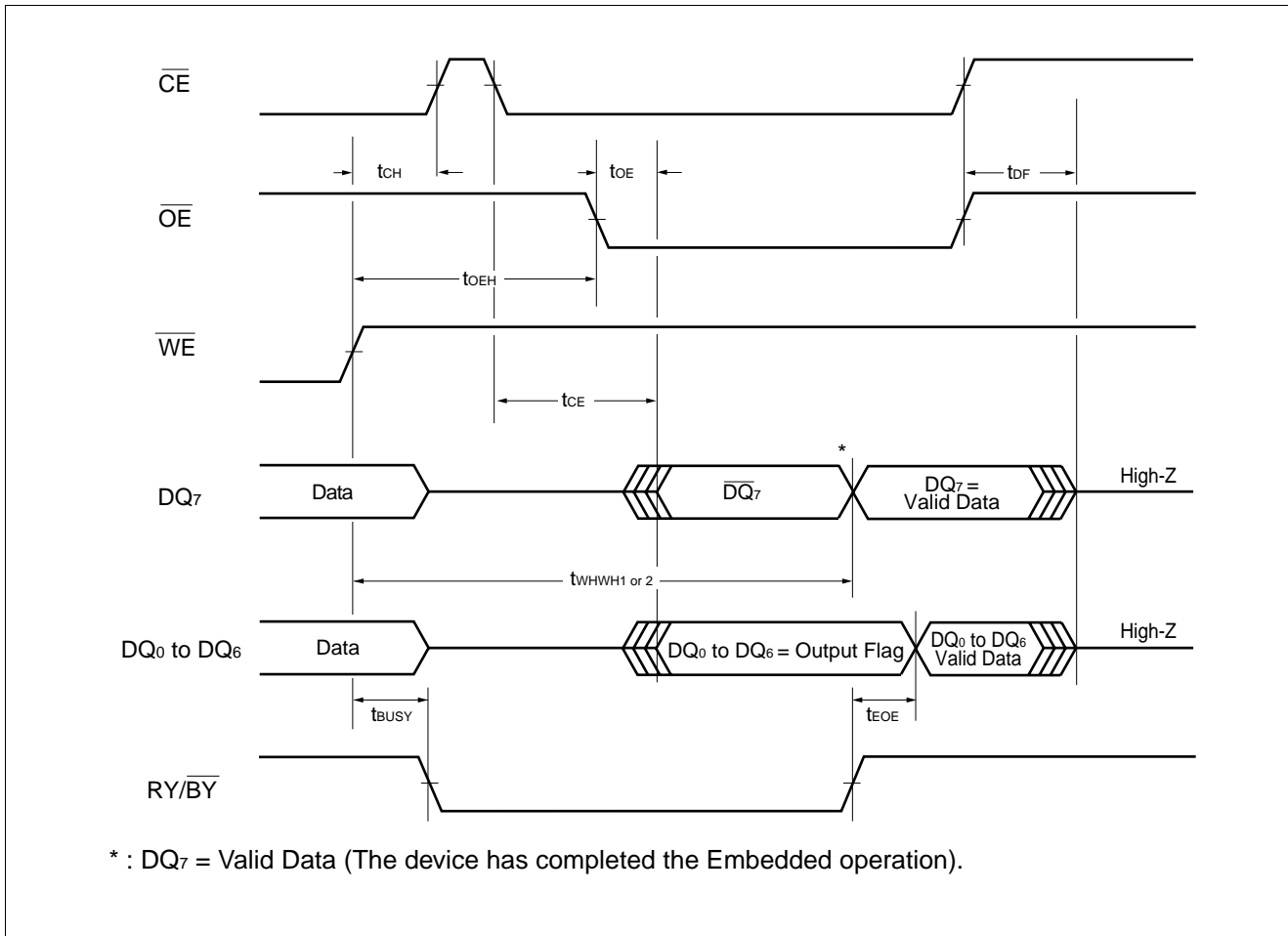
(5) AC Waveforms Chip/Sector Erase Operations



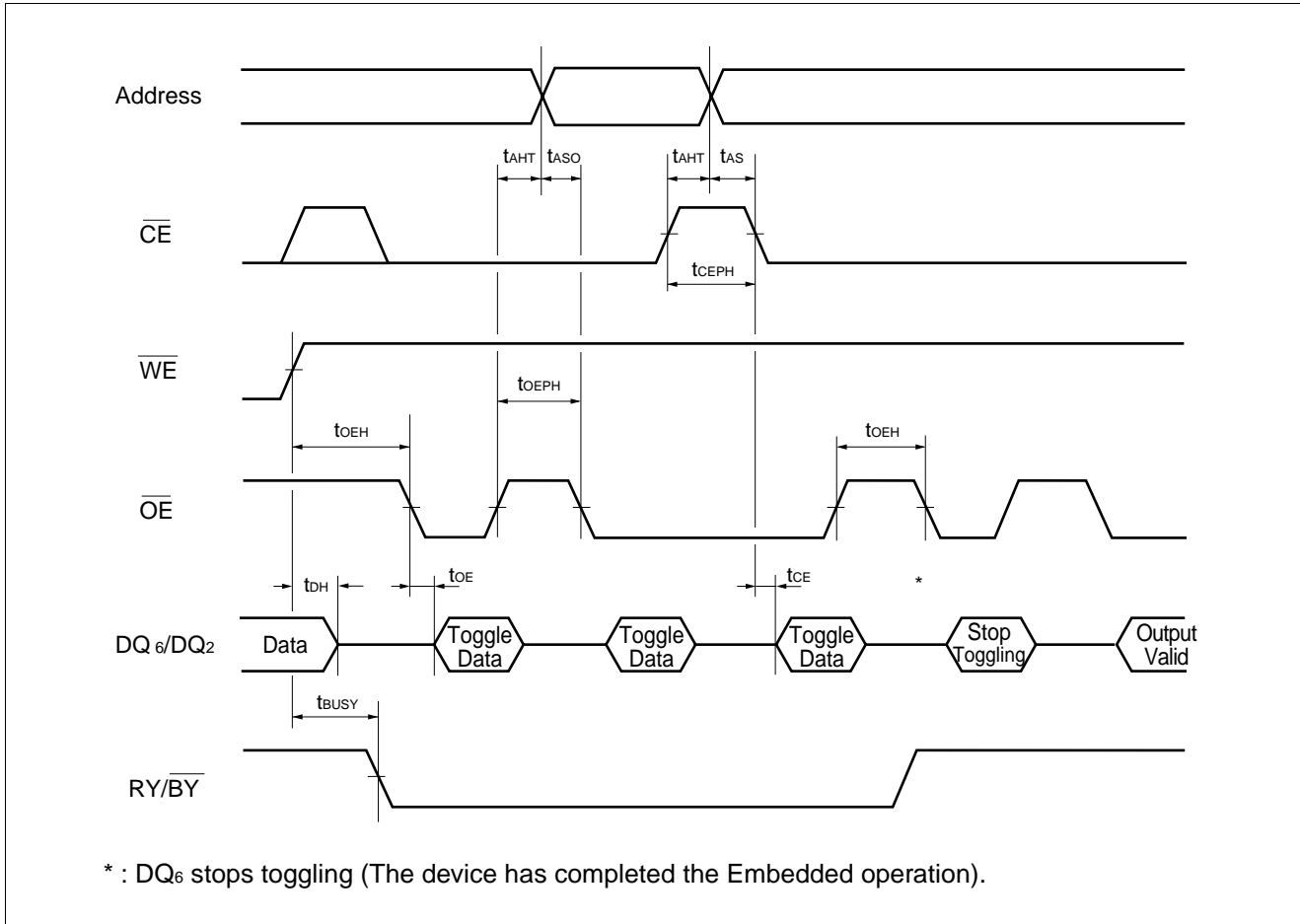
* : SA is the sector address for Sector Erase. Addresses = 555h (Word) for Chip Erase.

Note : These waveforms are for the ×16 mode. The addresses differ from ×8 mode.

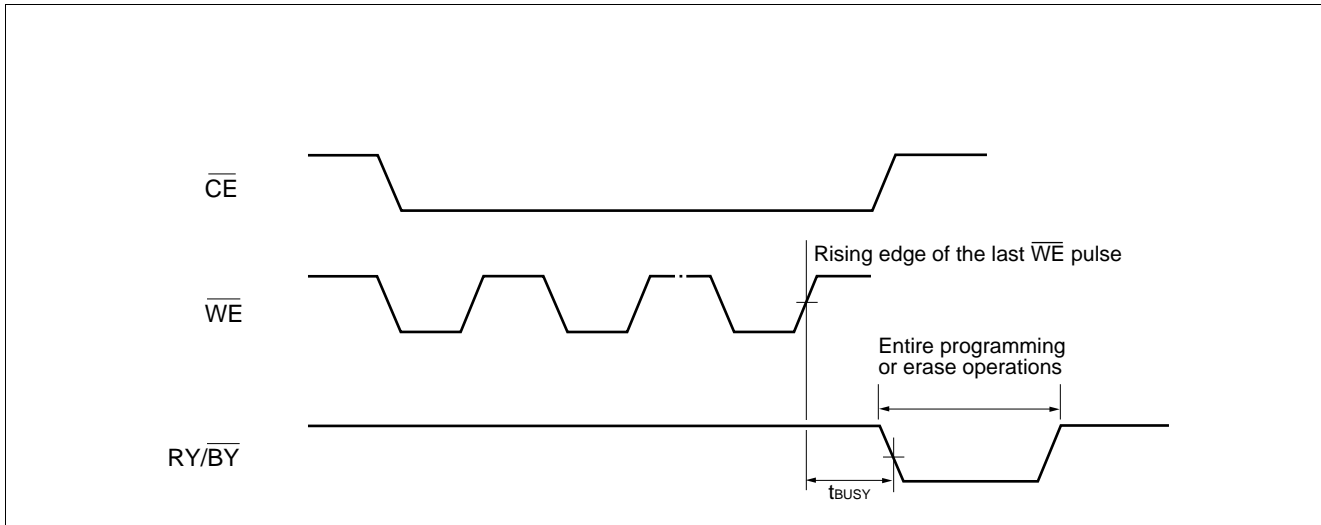
(6) AC Waveforms for $\overline{\text{Data}}$ Polling during Embedded Algorithm Operations



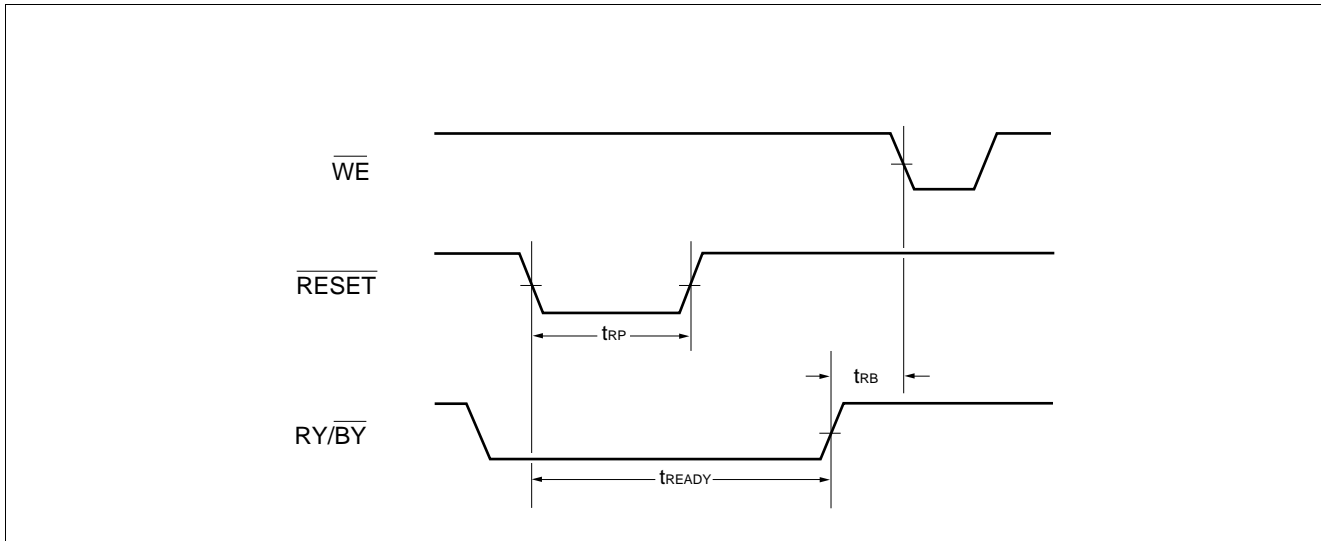
(7) AC Waveforms for Toggle Bit I during Embedded Algorithm Operations



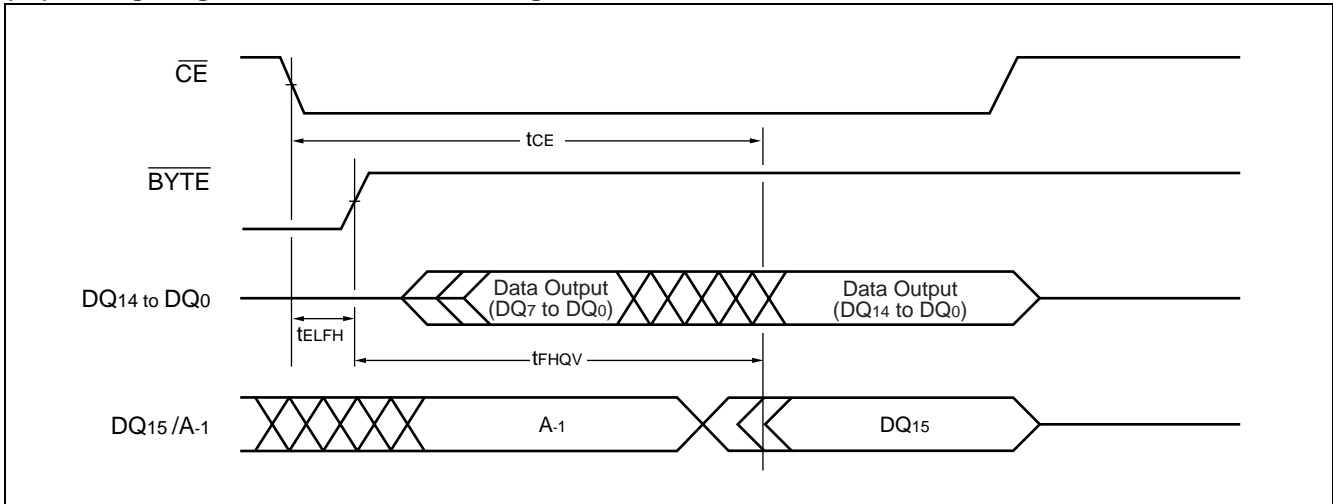
(8) RY/ $\overline{\text{BY}}$ Timing Diagram during Program/Erase Operations



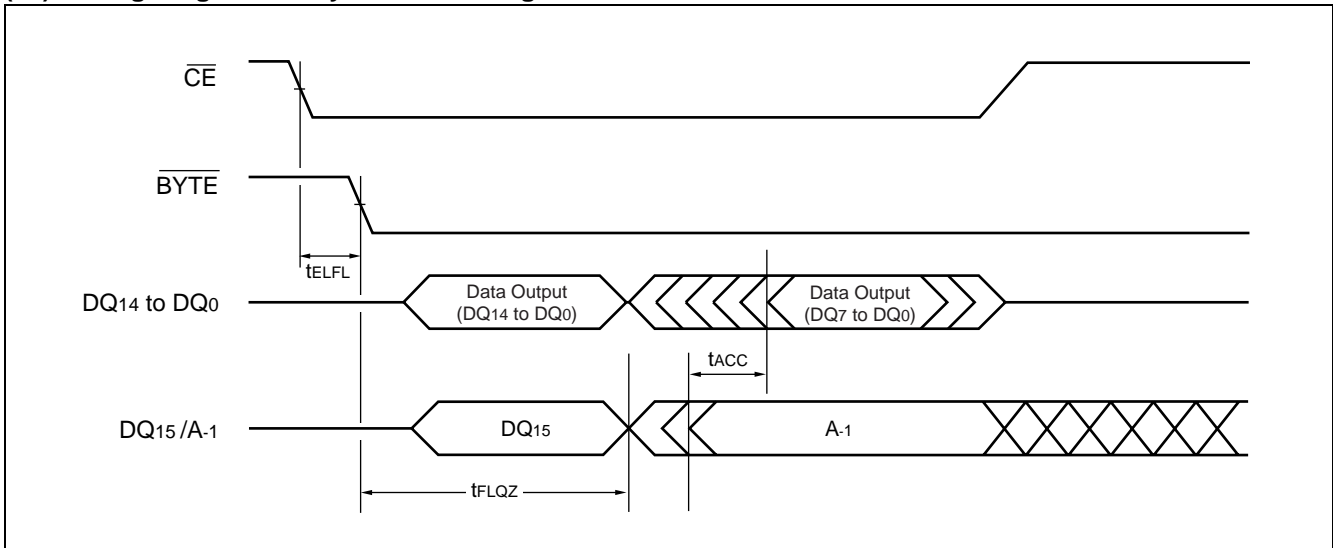
(9) $\overline{\text{RESET}}$ / $\text{RY}/\overline{\text{BY}}$ Timing Diagram



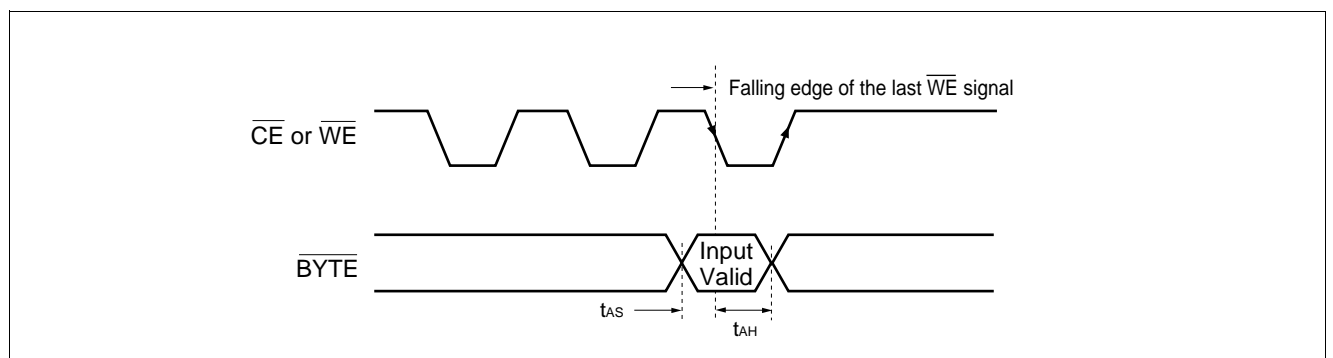
(10) Timing Diagram for Word Mode Configuration



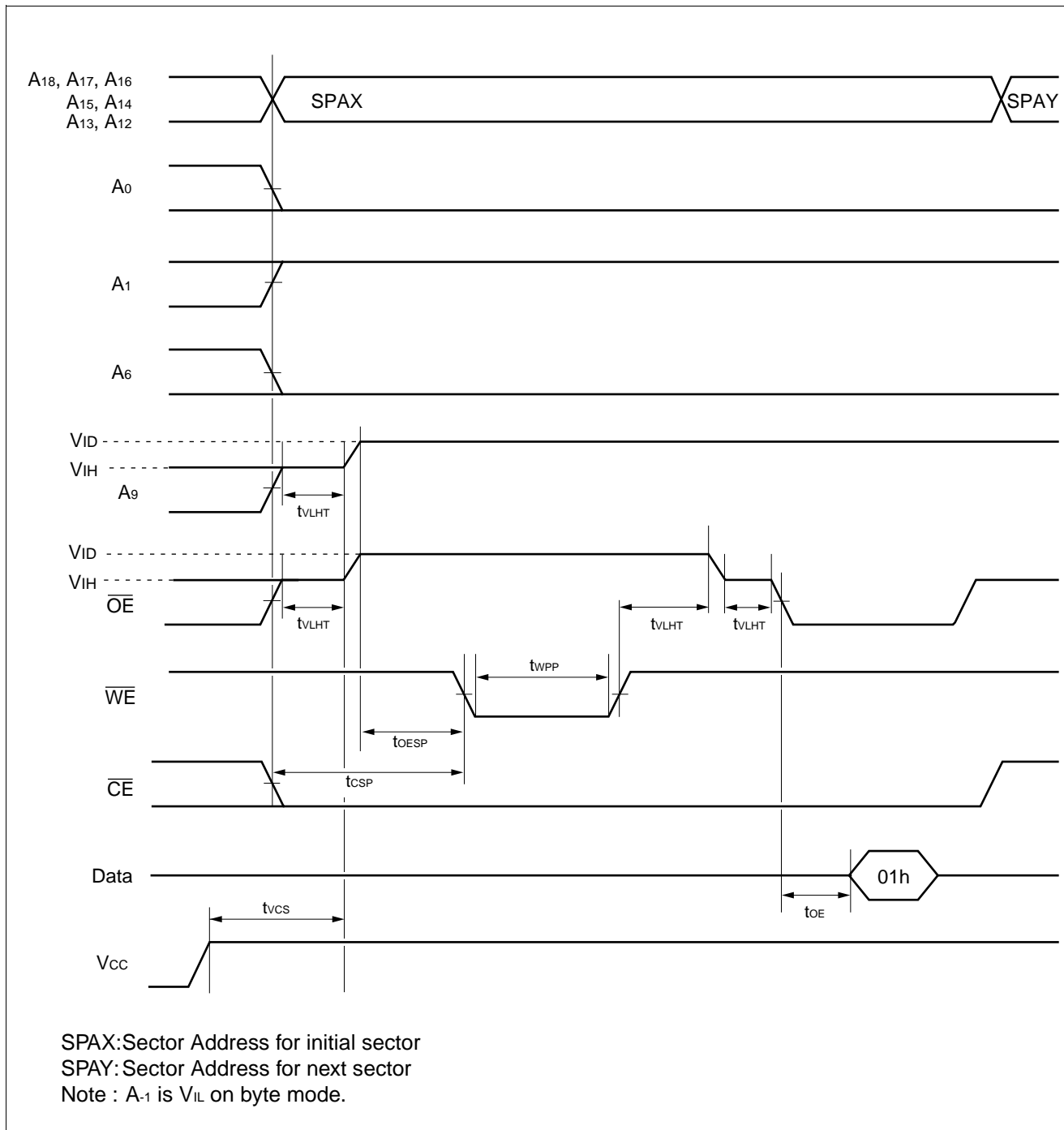
(11) Timing Diagram for Byte Mode Configuration



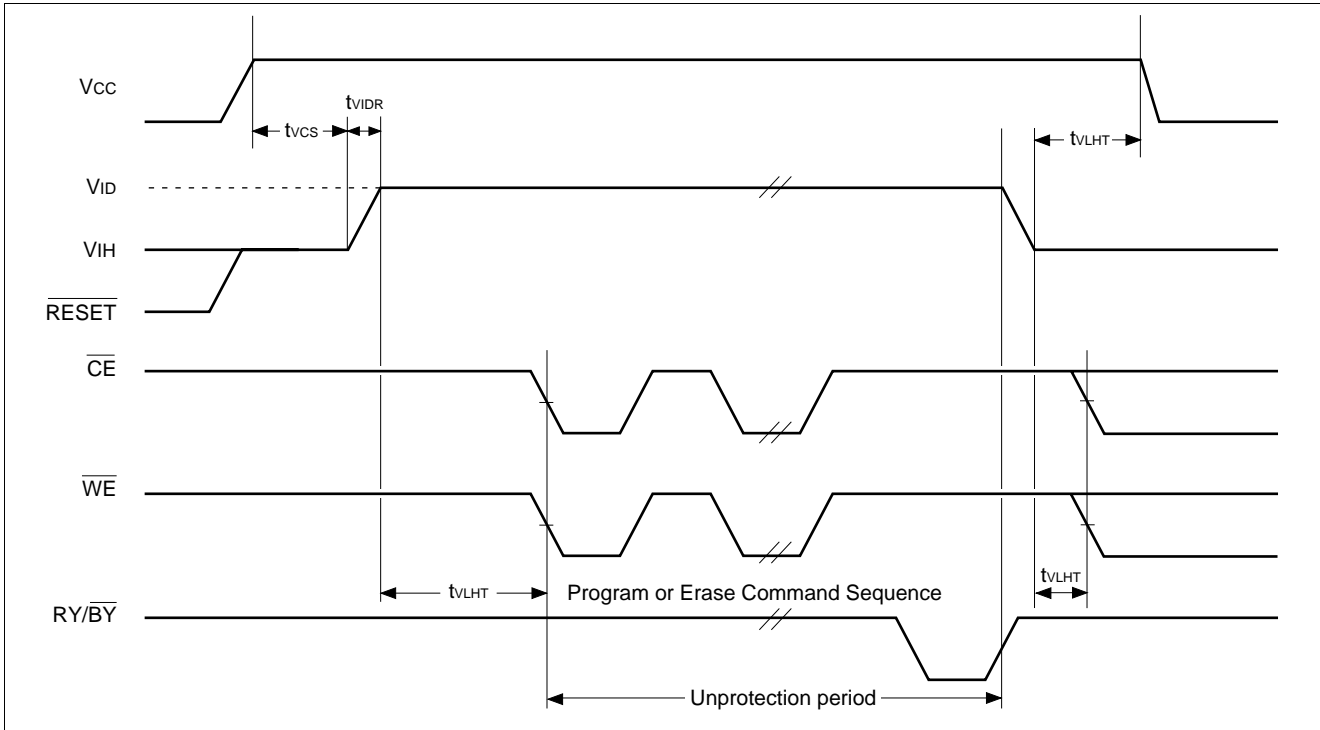
(12) \overline{BYTE} Timing Diagram for Write Operations



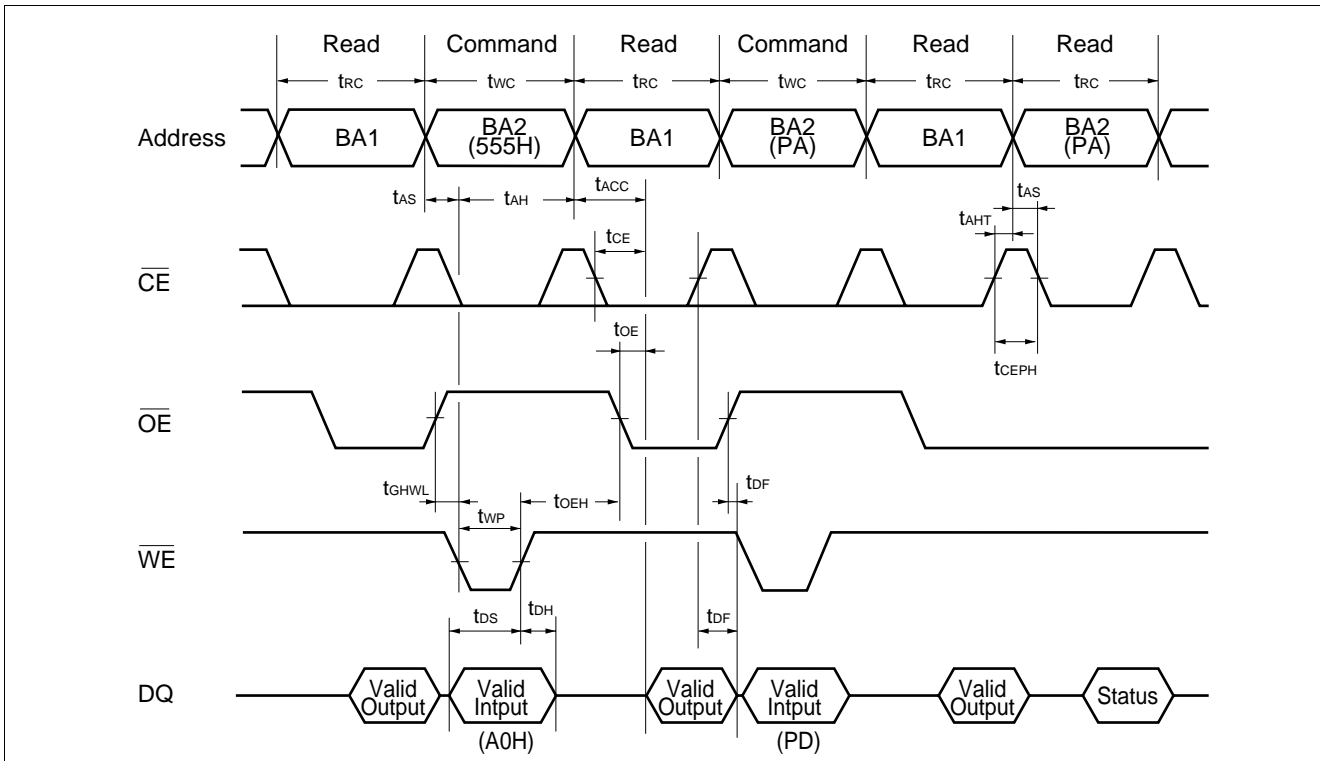
(13) AC Waveforms for Sector Protection



(14) Temporary Sector Unprotection Timing Diagram

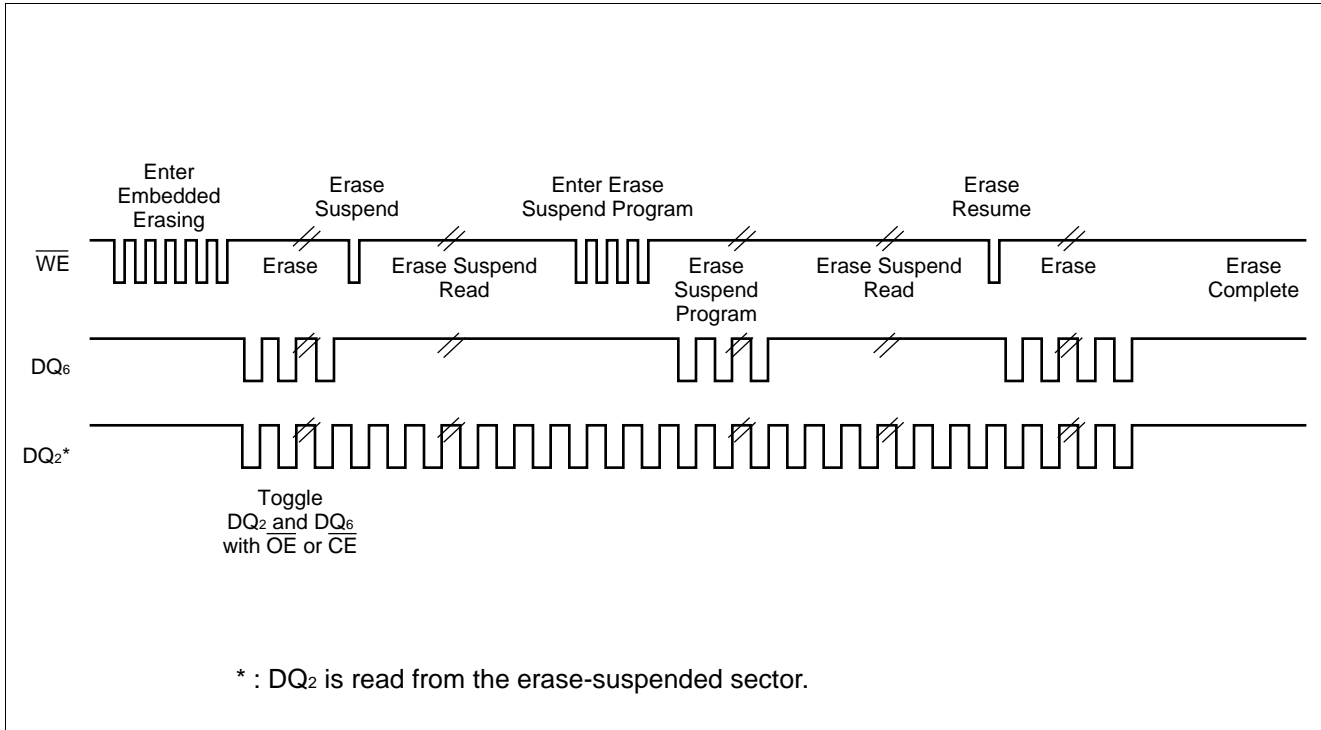


(15) Bank-to-bank Read/Write Timing Diagram

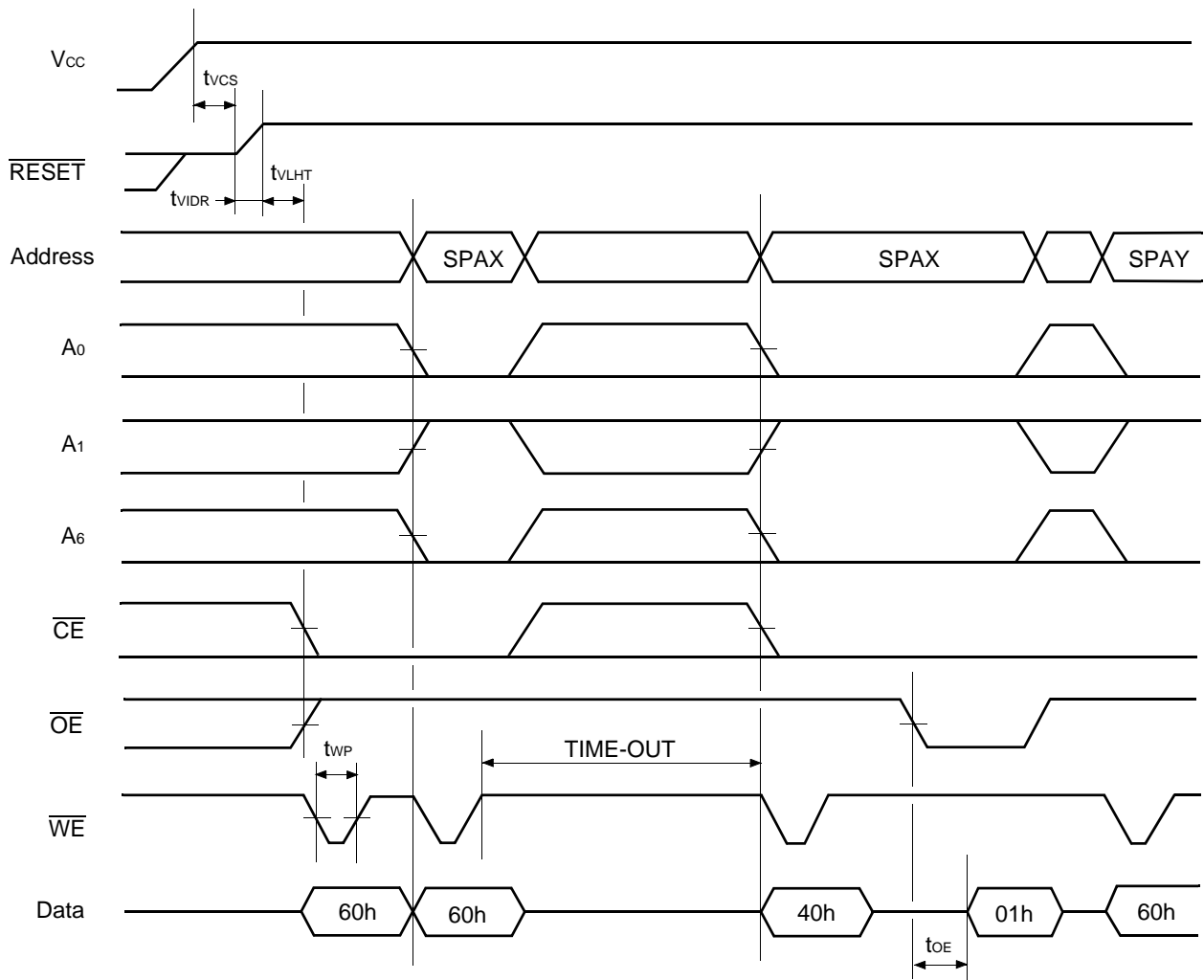


Note : This is example of Read for Bank 1 and Embedded Algorithm (program) for Bank 2.
 BA1: Address corresponding of Bank 1.
 BA2: Address corresponding of Bank 2.

(16) DQ₂ vs. DQ₆



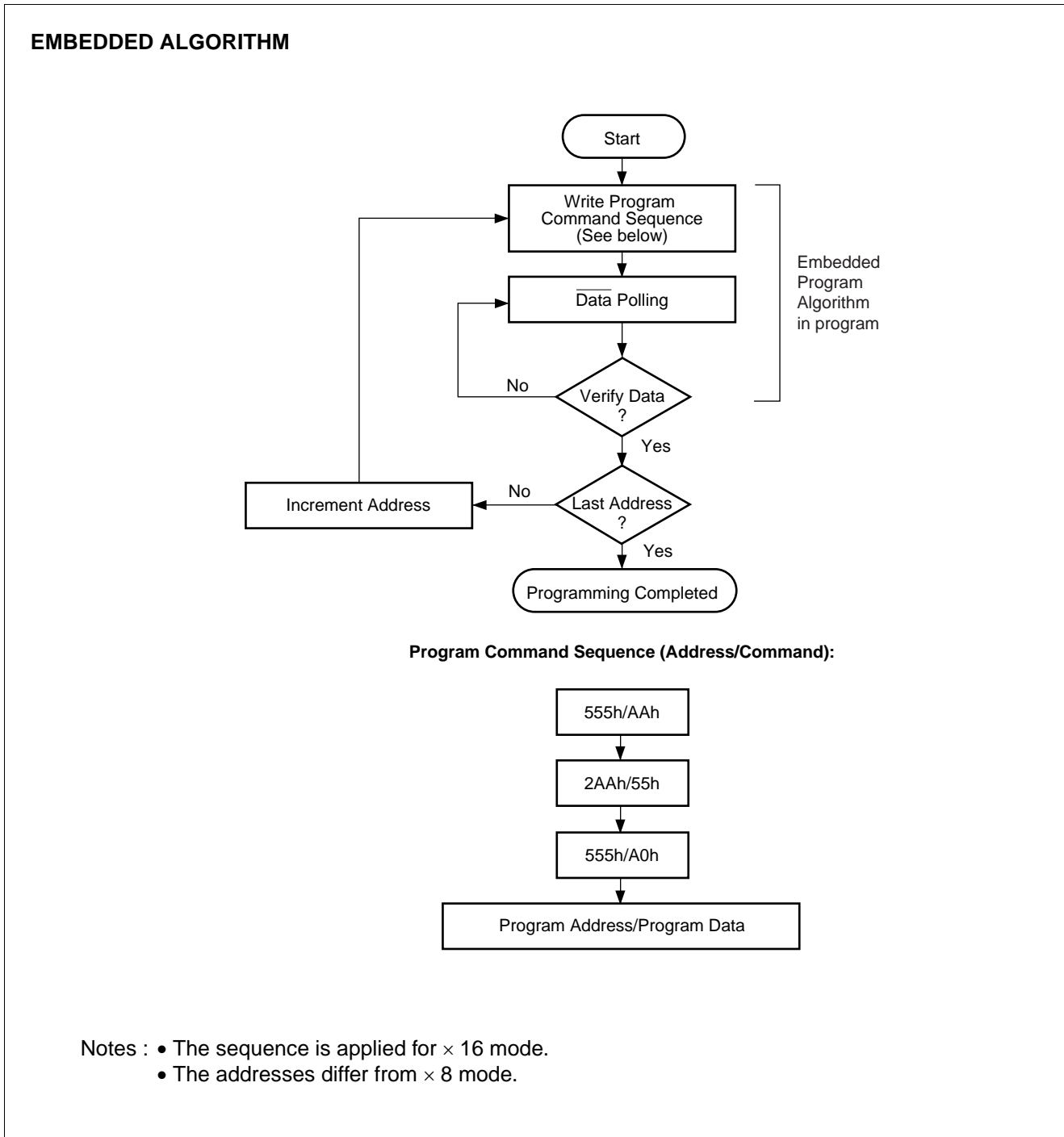
(17) Extended Sector Protection Timing Diagram



SPAX : Sector Address to be protected
 SPAY : Next Sector Address to be protected
 TIME-OUT : Time-Out window = 250 μs (Min)

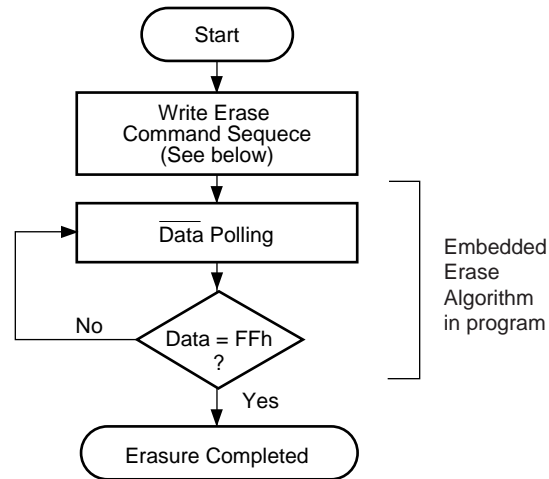
■ FLOW CHART

(1) Embedded Program™ Algorithm

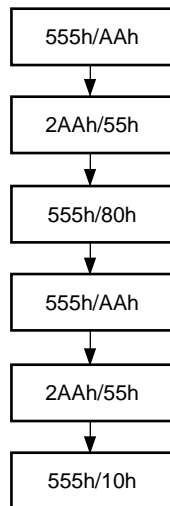


(2) Embedded Erase™ Algorithm

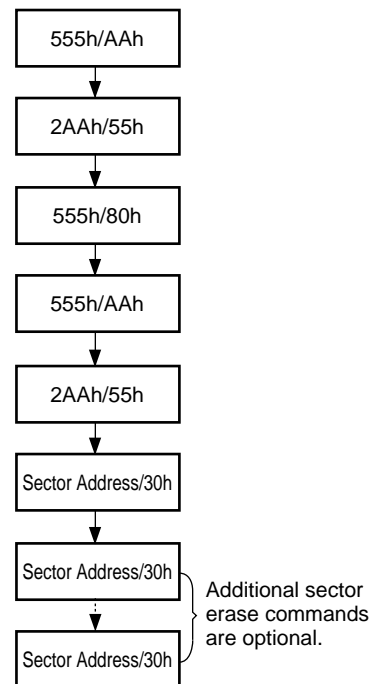
EMBEDDED ALGORITHM



Chip Erase Command Sequence (Address/Command):

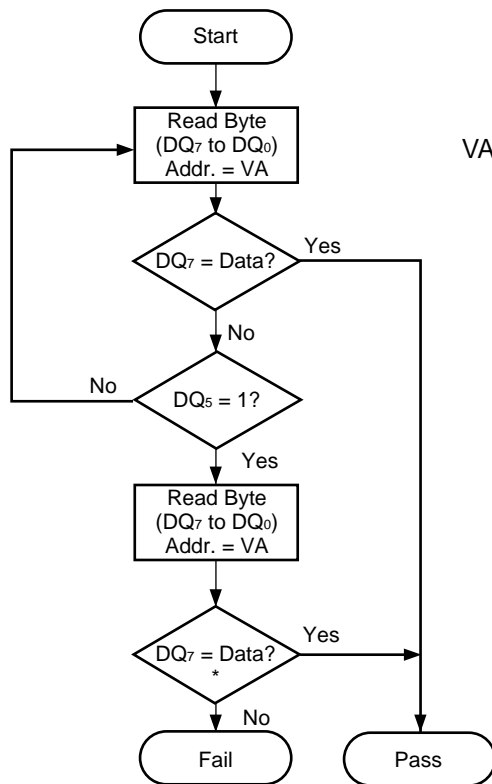


Individual Sector/Multiple Sector Erase Command Sequence (Address/Command):



- Notes :
- The sequence is applied for × 16 mode.
 - The addresses differ from × 8 mode.

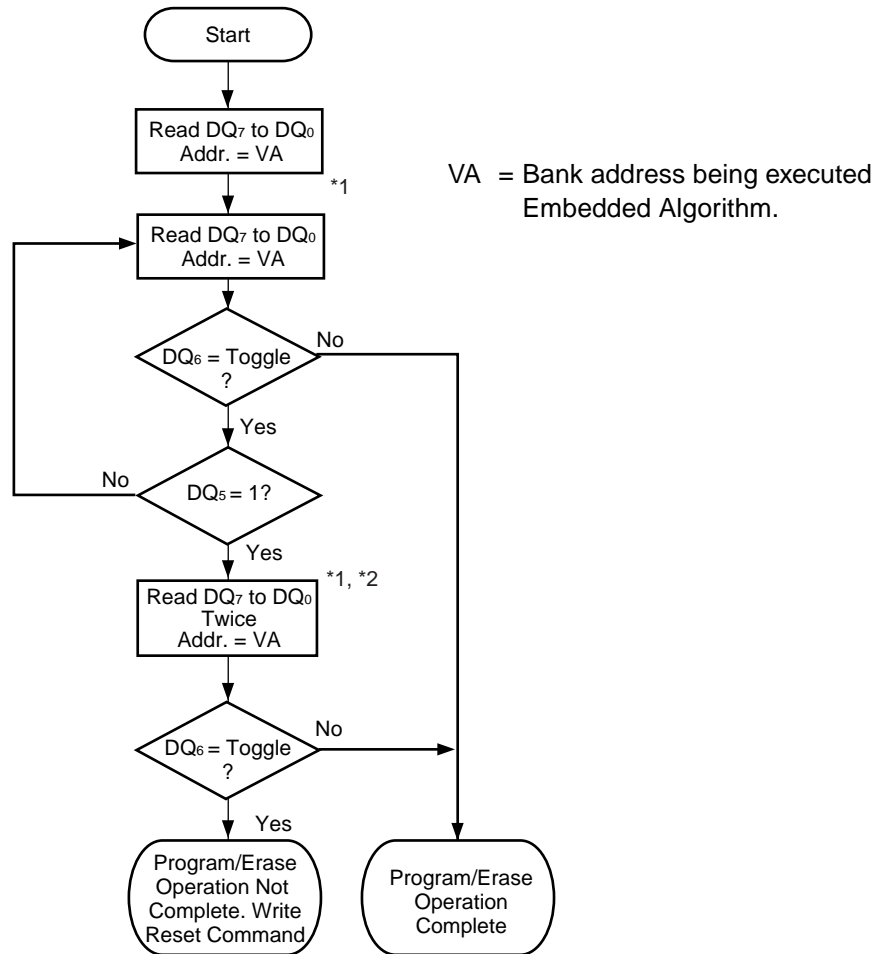
(3) Data Polling Algorithm



VA = Byte address for programming
 = Any of the sector addresses within the sector being erased during sector erase or multiple sector erases operation
 = Any of the sector addresses within the sector not being protected during chip erase operation

* : DQ₇ is rechecked even if DQ₅ = "1" because DQ₇ may change simultaneously with DQ₅.

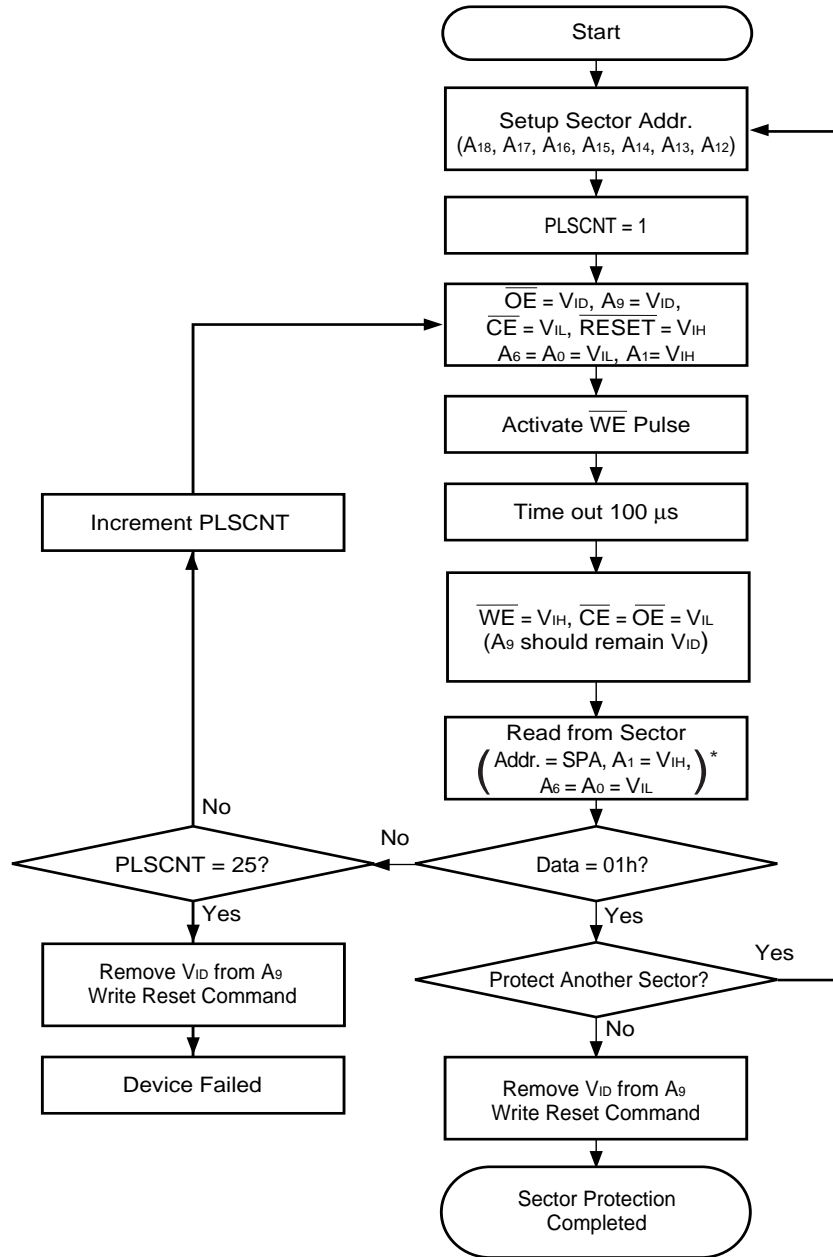
(4) Toggle Bit Algorithm



*1 : Read toggle bit twice to determine whether it is toggling.

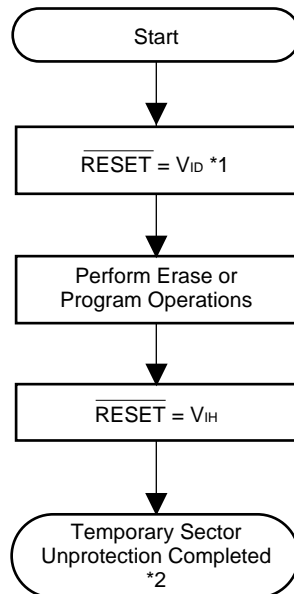
*2 : Recheck toggle bit because it may stop toggling as DQ₅ changes to "1".

(5) Sector Protection Algorithm



* : A-1 is V_{IL} on byte mode.

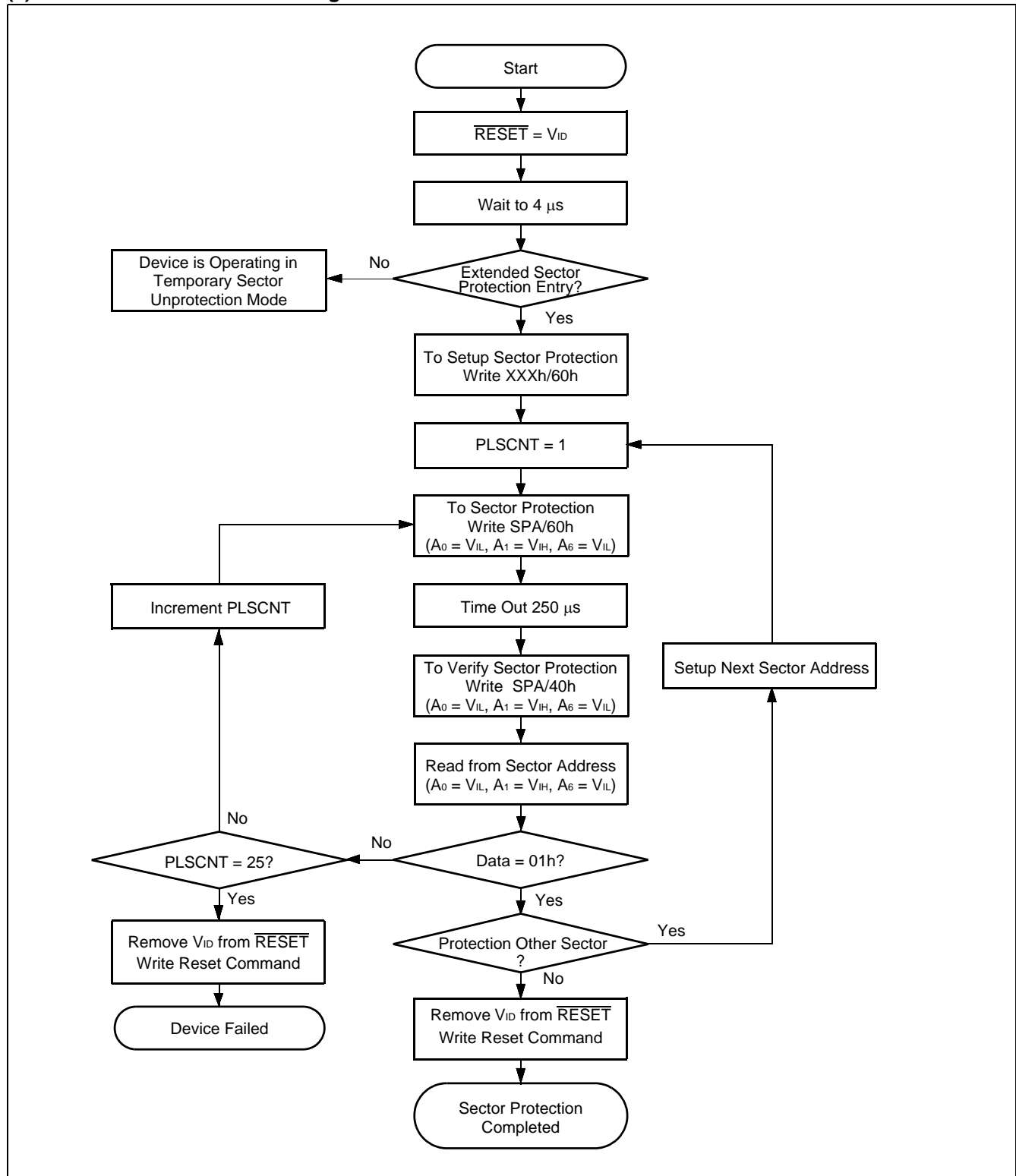
(6) Temporary Sector Unprotection Algorithm



*1 : All protected sectors are unprotected.

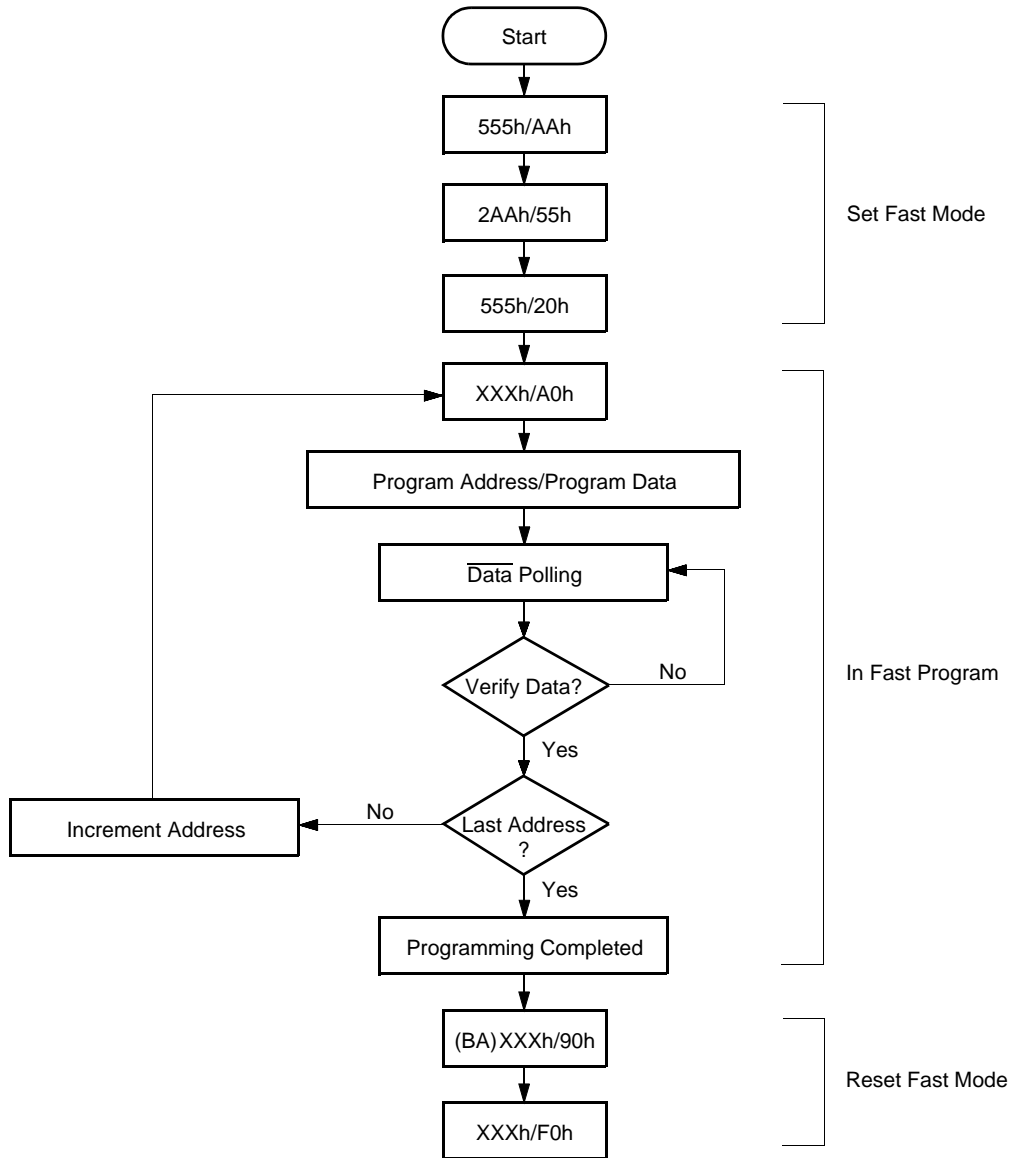
*2 : All previously protected sectors are protected once again.

(7) Extended Sector Protection Algorithm



(8) Embedded Program™ Algorithm for Fast Mode

FAST MODE ALGORITHM



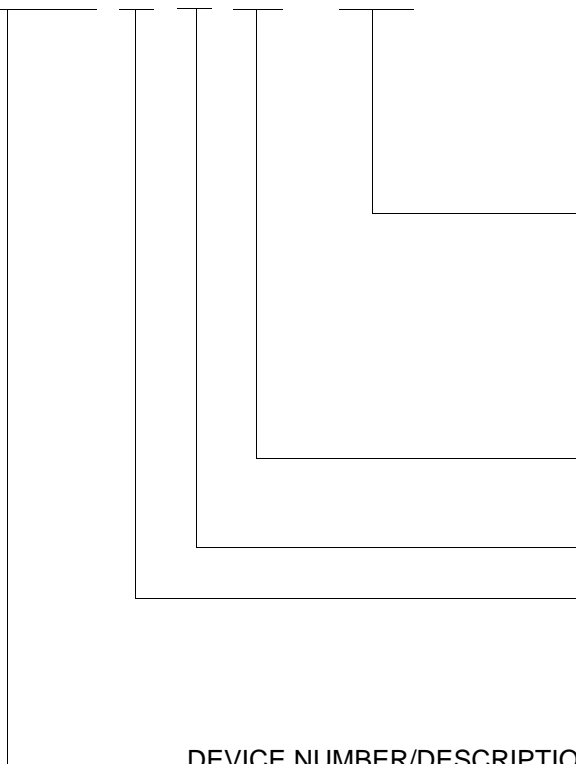
- Notes :
- The sequence is applied for $\times 16$ mode.
 - The addresses differ from $\times 8$ mode.

MBM29DL800TA-70/90/MBM29DL800BA-70/90

ORDERING INFORMATION

Part No.	Package	Access Time	Sector Architecture
MBM29DL800TA-70PFTN MBM29DL800TA-90PFTN	48-pin plastic TSOP (1) (FPT-48P-M19) (Normal Bend)	70 90	Top Sector
MBM29DL800TA-70PFTR MBM29DL800TA-90PFTR	48-pin plastic TSOP (1) (FPT-48P-M20) (Reverse Bend)	70 90	
MBM29DL800TA-70PBT MBM29DL800TA-90PBT	48-pin plastic FBGA (BGA-48P-M12)	70 90	
MBM29DL800BA-70PFTN MBM29DL800BA-90PFTN	48-pin plastic TSOP (1) (FPT-48P-M19) (Normal Bend)	70 90	Bottom Sector
MBM29DL800BA-70PFTR MBM29DL800BA-90PFTR	48-pin plastic TSOP (1) (FPT-48P-M20) (Reverse Bend)	70 90	
MBM29DL800BA-70PBT MBM29DL800BA-90PBT	48-pin plastic FBGA (BGA-48P-M12)	70 90	

MBM29DL800 T A -70 PFTN



PACKAGE TYPE

PFTN = 48-Pin Thin Small Outline Package (TSOP) Normal Bend

PFTR = 48-Pin Thin Small Outline Package (TSOP) Reverse Bend

PBT-SF2 = 48-Ball Fine Pitch Ball Grid Array Package (FBGA: BGA-48P-M12)

SPEED OPTION

See Product Selector Guide.

Device Revision

BOOT CODE SECTOR ARCHITECTURE

T = Top sector

B = Bottom sector

DEVICE NUMBER/DESCRIPTION

MBM29DL800

8Mega-bit (1M × 8-Bit or 512 K × 16-Bit) CMOS Flash Memory

3.0 V-only Read, Program, and Erase

MBM29DL800TA-70/90/MBM29DL800BA-70/90

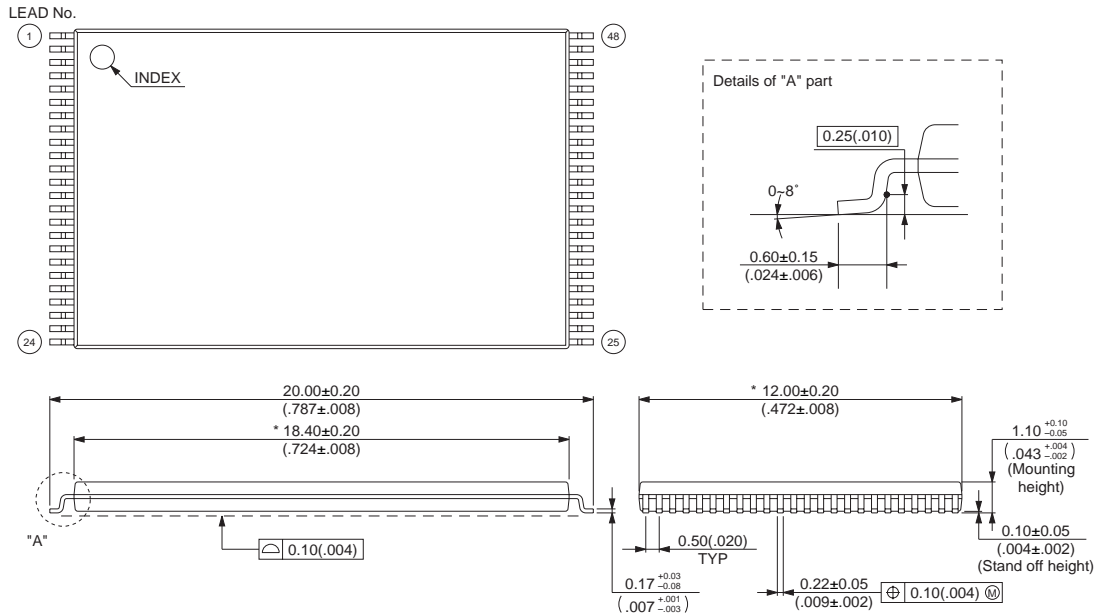
PACKAGE DIMENSIONS

48-pin plastic TSOP (1)
(FPT-48P-M19)

Note1 : * : Values do not include resin protrusion.

Resin protrusion and gate protrusion are +0.15 (.006) Max (each side) .

Note2 : Pins width and pins thickness include plating thickness.



© 2002 FUJITSU LIMITED F48029S-c-5-5

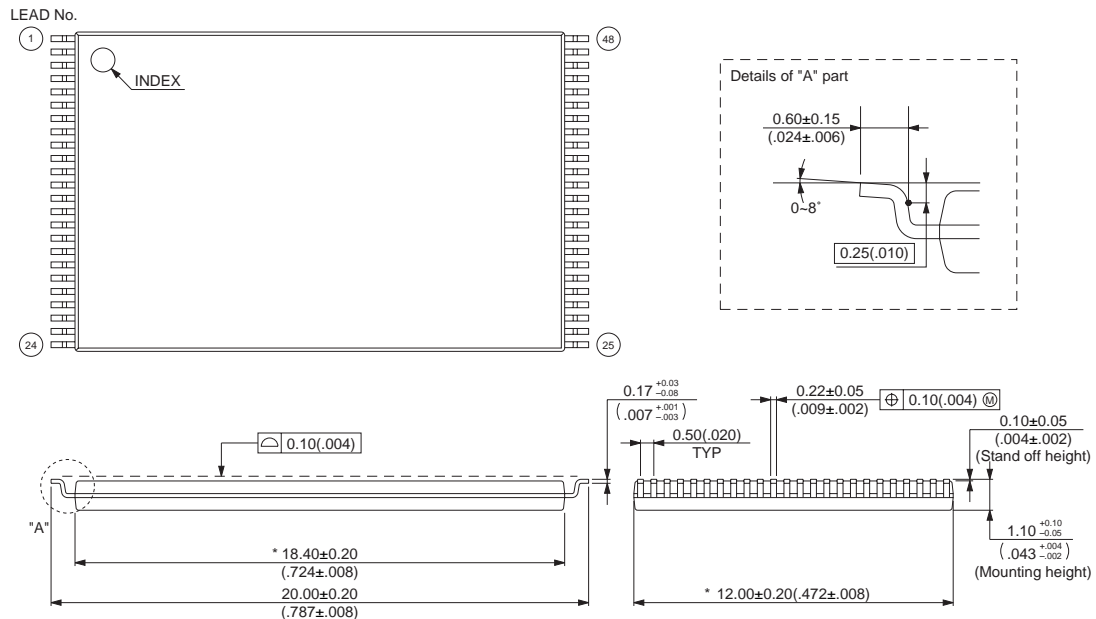
Dimensions in mm (inches)

48-pin plastic TSOP (1)
(FPT-48P-M20)

Note1 : * : Values do not include resin protrusion.

Resin protrusion and gate protrusion are +0.15 (.006) Max (each side) .

Note2 : Pins width and pins thickness include plating thickness.



© 2002 FUJITSU LIMITED F48030S-c-5-6

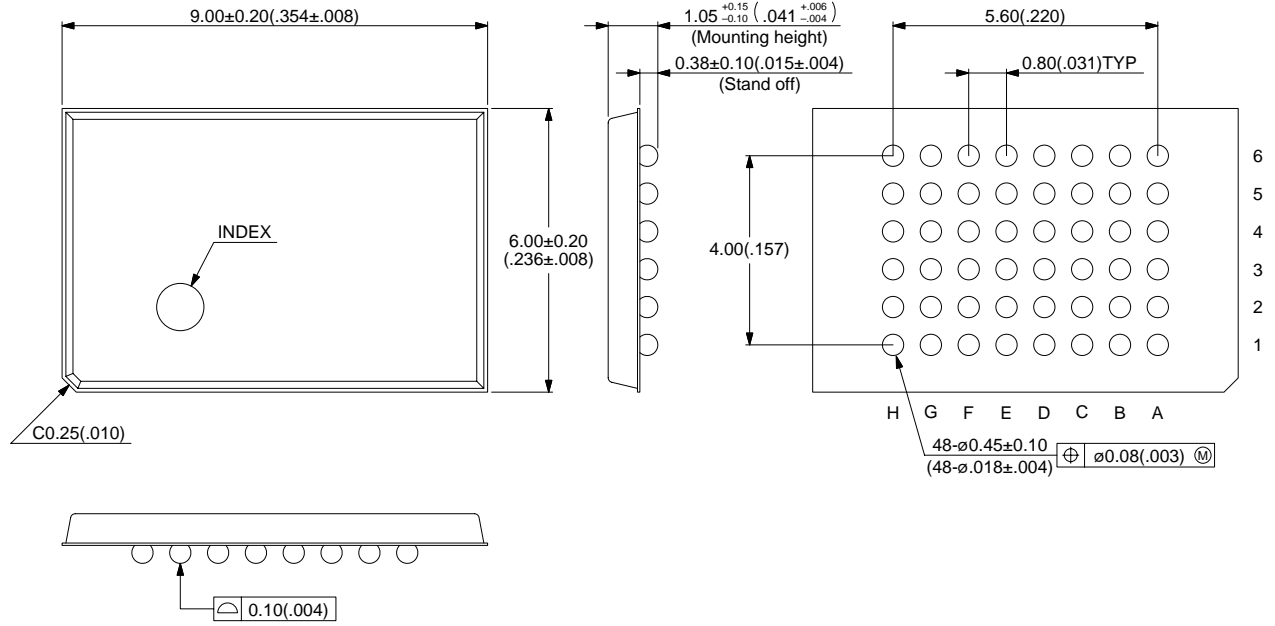
Dimensions in mm (inches)

(Continued)

MBM29DL800TA-70/90/MBM29DL800BA-70/90

(Continued)

48-pin plastic FBGA
(BGA-48P-M12)



© 2001 FUJITSU LIMITED B48012S-c-3-3

Dimensions in mm (inches)

Revision History

Revision DS05-20860-7E (August 6, 2007)

The following comment is added.

This product has been retired and is not recommended for new designs. Availability of this document is retained for reference and historical purposes only.

FUJITSU LIMITED

For further information please contact:

Japan

FUJITSU LIMITED
Marketing Division
Electronic Devices
Shinjuku Dai-Ichi Seimei Bldg. 7-1,
Nishishinjuku 2-chome, Shinjuku-ku,
Tokyo 163-0721, Japan
Tel: +81-3-5322-3353
Fax: +81-3-5322-3386
<http://edevice.fujitsu.com/>

North and South America

FUJITSU MICROELECTRONICS AMERICA, INC.
3545 North First Street,
San Jose, CA 95134-1804, U.S.A.
Tel: +1-408-922-9100
Fax: +1-408-432-9044
<http://www.fma.fujitsu.com/>

Europe

FUJITSU MICROELECTRONICS EUROPE GmbH
Am Siebenstein 6-10,
D-63303 Dreieich-Buchsschlag,
Germany
Tel: +49-6103-690-0
Fax: +49-6103-690-122
<http://www.fme.fujitsu.com/>

Asia Pacific

FUJITSU MICROELECTRONICS ASIA PTE LTD.
#05-08, 151 Lorong Chuan,
New Tech Park,
Singapore 556741
Tel: +65-6281-0770
Fax: +65-6281-0220
<http://www.fmal.fujitsu.com/>

Korea

FUJITSU MICROELECTRONICS KOREA LTD.
1702 KOSMO TOWER, 1002 Daechi-Dong,
Kangnam-Gu, Seoul 135-280
Korea
Tel: +82-2-3484-7100
Fax: +82-2-3484-7111
<http://www.fmk.fujitsu.com/>

F0211

© FUJITSU LIMITED Printed in Japan

All Rights Reserved.

The contents of this document are subject to change without notice. Customers are advised to consult with FUJITSU sales representatives before ordering.

The information and circuit diagrams in this document are presented as examples of semiconductor device applications, and are not intended to be incorporated in devices for actual use. Also, FUJITSU is unable to assume responsibility for infringement of any patent rights or other rights of third parties arising from the use of this information or circuit diagrams.

The products described in this document are designed, developed and manufactured as contemplated for general use, including without limitation, ordinary industrial use, general office use, personal use, and household use, but are not designed, developed and manufactured as contemplated (1) for use accompanying fatal risks or dangers that, unless extremely high safety is secured, could have a serious effect to the public, and could lead directly to death, personal injury, severe physical damage or other loss (i.e., nuclear reaction control in nuclear facility, aircraft flight control, air traffic control, mass transport control, medical life support system, missile launch control in weapon system), or (2) for use requiring extremely high reliability (i.e., submersible repeater and artificial satellite).

Please note that Fujitsu will not be liable against you and/or any third party for any claims or damages arising in connection with above-mentioned uses of the products.

Any semiconductor devices have an inherent chance of failure. You must protect against injury, damage or loss from such failures by incorporating safety design measures into your facility and equipment such as redundancy, fire protection, and prevention of over-current levels and other abnormal operating conditions.

If any products described in this document represent goods or technologies subject to certain restrictions on export under the Foreign Exchange and Foreign Trade Law of Japan, the prior authorization by Japanese government will be required for export of those products from Japan.

