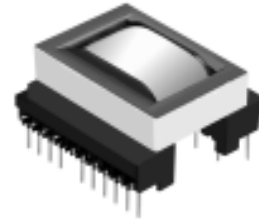


Type: EPH2815B

◆ **Product Description**

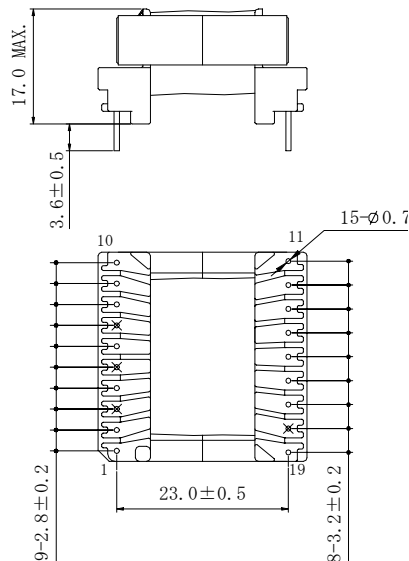
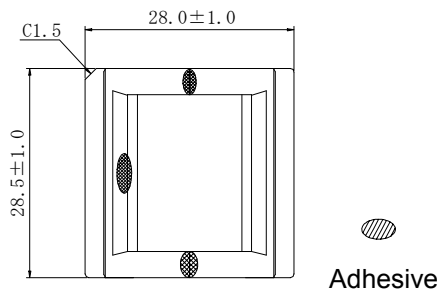
- 29.5×29.0mm Max.(L×W), 17.0mm Max. Height.
- Custom design is available.



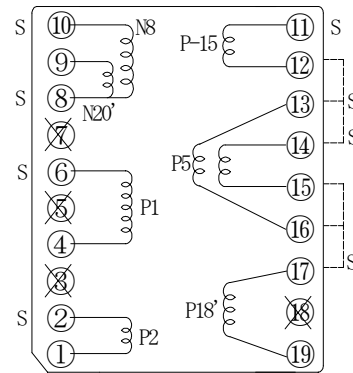
◆ **Feature**

- Max. Operating frequency 500kHz. Max. Operating power 32.0W(500kHz), 14W(100kHz)
- Ideally used in Switching regulator, HID.
- RoHS Compliance

◆ **Dimensions (mm)**



◆ **Schematics (Bottom)**



“ S ” is winding start

◆ **Specification**

Sample NO.	2354-T006
Inductance (6-4) (1kHz /1V)	710μH±20% Within
D.C.R(6-4)	1.46Ω.(Ref.)
Hi-POT(50/60Hz) P1-(P-15,P5,P18',N20',N8,P2)	AC 2000 Vrms 1 Minute
Hi-POT (50/60Hz) (N8,N20',P2)-(P-15,P5,P18') / P2-(N8,N20')	AC 2000 Vrms 1 Minute
Hi-POT (50/60Hz) Core-(P1,N20',N8,P2)	AC 2000 Vrms 1 Minute