

# AN6308, AN6308S

## Analog Switch ICs for VCR

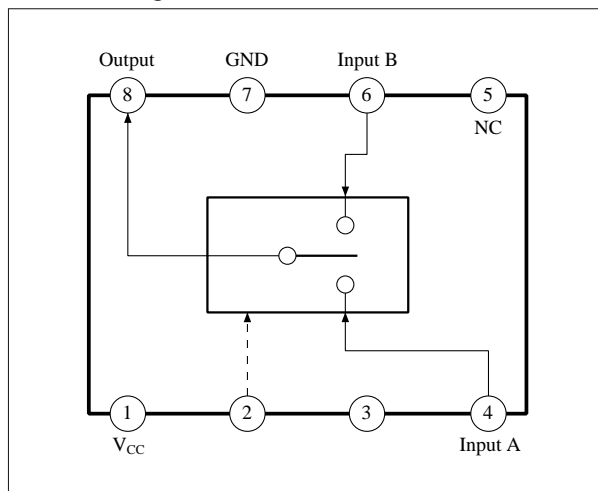
### Overview

The AN6308 and the AN6308S are integrated circuits designed for video band analog switching.

### Features

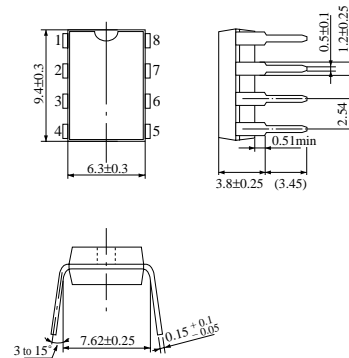
- Good frequency response : 10MHz flat
- High speed switching : 70ns typ.
- Low power consumption : 13mW typ.
- Supply voltage : 5V

### Block Diagram



AN6308

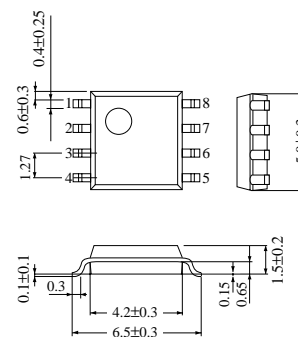
Unit : mm



8-Pin DIL Plastic Package (DIP008-P-0300B)

AN6308S

Unit : mm



8-Pin PANAFLET Package (SOP008-P-0225)

### Pin Descriptions

Pin No.	Pin name
1	V <sub>CC</sub>
2	Select
3	Bias
4	Input A
5	NC
6	Input B
7	GND
8	Output

■ Absolute Maximum Ratings (Ta = 25°C)

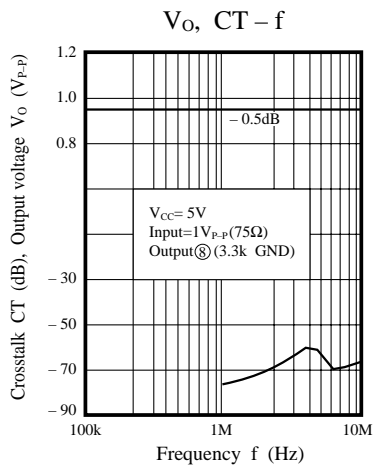
Parameter	Symbol	Rating	Unit
Supply voltage	V <sub>CC</sub>	6.0	V
Power dissipation	P <sub>D</sub>	30	mW
Operating ambient temperature	T <sub>opr</sub>	- 20 to + 70	°C
Storage temperature	AN6308	T <sub>stg</sub>	°C
	AN6308S		

■ Electrical Characteristics (V<sub>CC</sub> = 5V, Ta = 25°C ± 2°C)

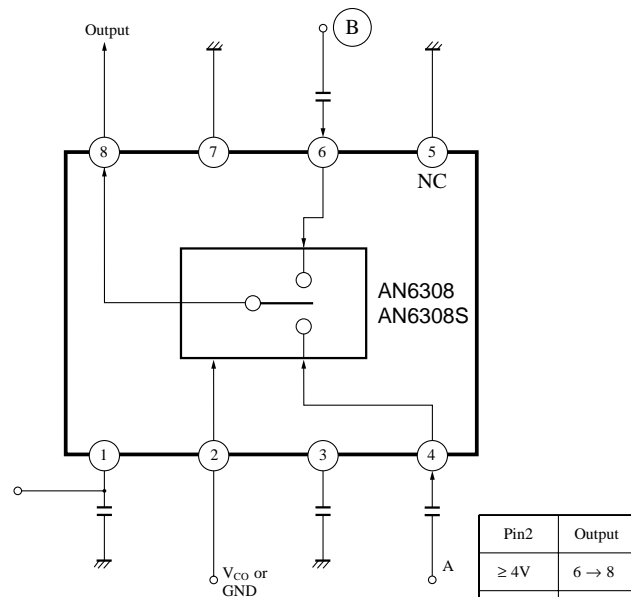
Parameter	Symbol	Condition	min	typ	max	Unit
Circuit current	I <sub>1</sub>		1.6	—	3.7	mA
Cross talk	CT <sub>8</sub>	f = 4MHz/1V <sub>P-P</sub>	—	—	-50	dB
SW level difference	V <sub>O (offset)</sub>		—	—	10	mV
Select sensitivity (A)	S <sub>(2) 4</sub>		—	—	1.0	V
Select sensitivity (A)	S <sub>(2) 6</sub>		4.0	—	—	V

Note) Operating supply voltage range V<sub>CC</sub> (crp.) = 4.5V to 5.5V

■ Characteristics Curve



■ Application Circuit



- (1) Max. input 2.0V<sub>P-P</sub> typ. (V<sub>CC</sub> = 5V)
- (2) 4 6 Zin = 5kΩ (typ.)
- (3) Output emitter follower, Current 2mA max.