



Programmable Encoder IC

PT2240

Description

PT2240 is programmable encoder utilizing CMOS Technology specially designed for remote control applications. It has a maximum of 22 Address which may be designed by a one-time programmable process. It can support up to 8 Data Bits and is housed in 8 or 16-pin DIP or SO Package. It encodes address and data codes into a coded waveform suitable for RF modulation. The pin assignments and application circuit are optimized for easy PCB Layout and cost saving advantage. Furthermore, PT2240's intrinsic feature of being able to support 2/3/4/6/8 data bits considerably reduces inventory pressures.

Features

- CMOS Technology
- Low Power Consumption
- Least External Components
- High Noise Immunity
- Single Resistor Oscillator
- Operating Voltage: 1.8~15 V
- Up to 8 Data Pins
- Up to 2²² Address Codes
- One-Time Programmable Process
- Available in SO or DIP Package
- Reduction of Inventory Pressures

Applications

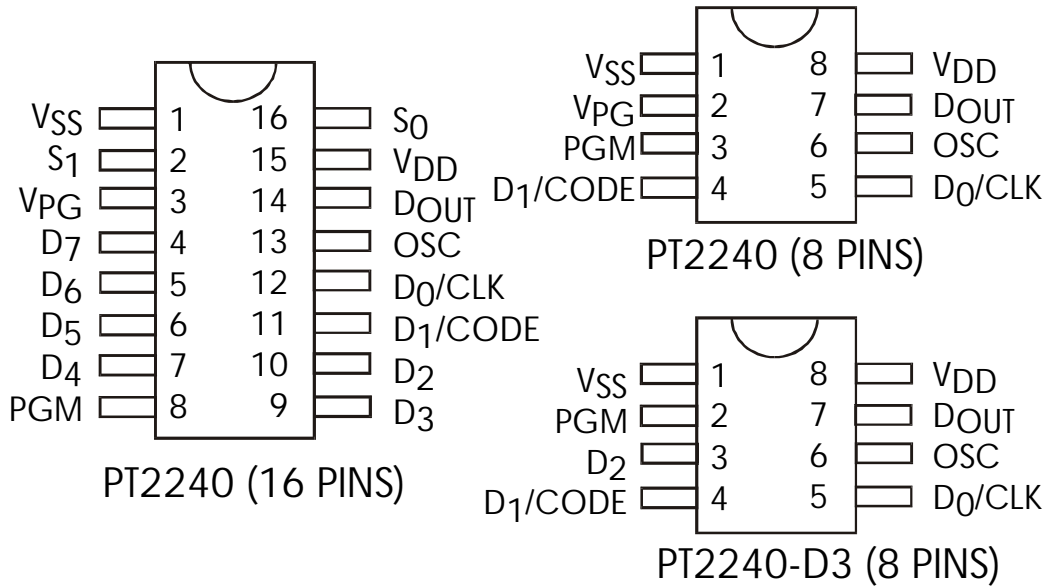
- Burglar Alarm System
- Car Security System
- Car/Garage Door Controller
- Home/Office Security System
- Personal Alarm System



Programmable Encoder IC

PT2240

Pin Configurations



Application Circuits

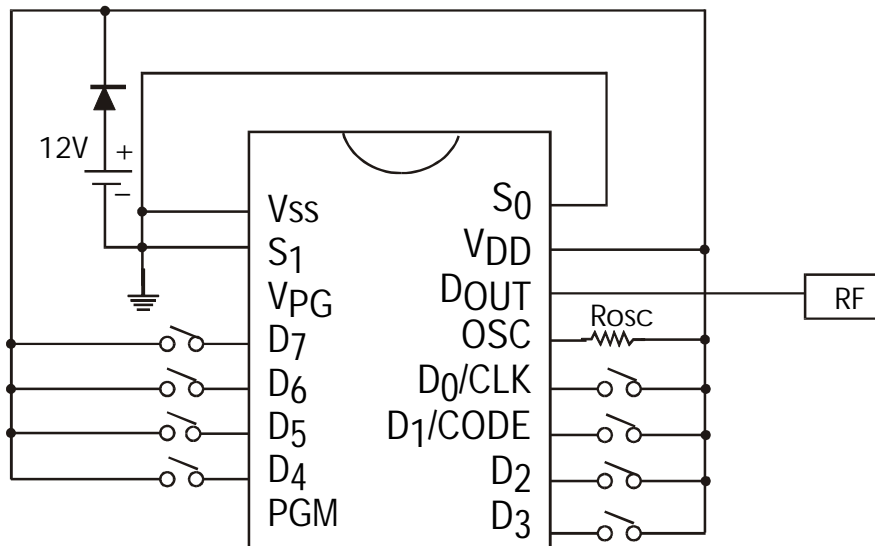


Figure 1: PT2240 (8 Data) Application Circuit

Note: In order that IC protection is assured, please make sure that a diode is connected between the battery and the VDD. If the diode is not connected and the battery polarity was inverted, then the IC will fail.



Programmable Encoder IC

PT2240

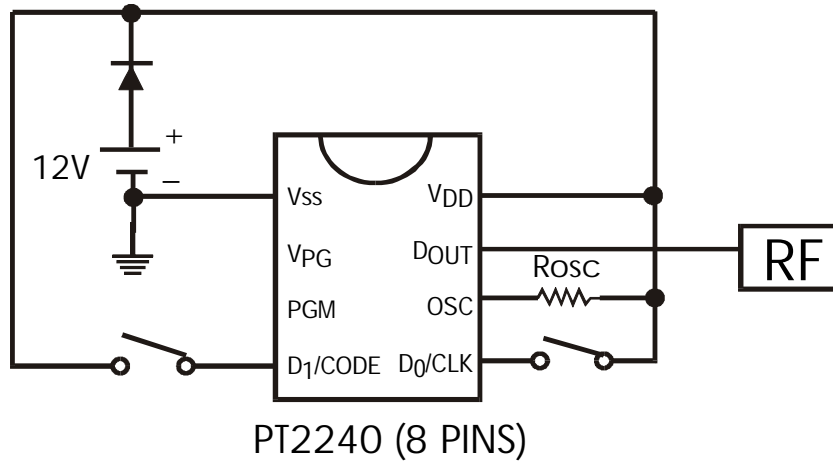
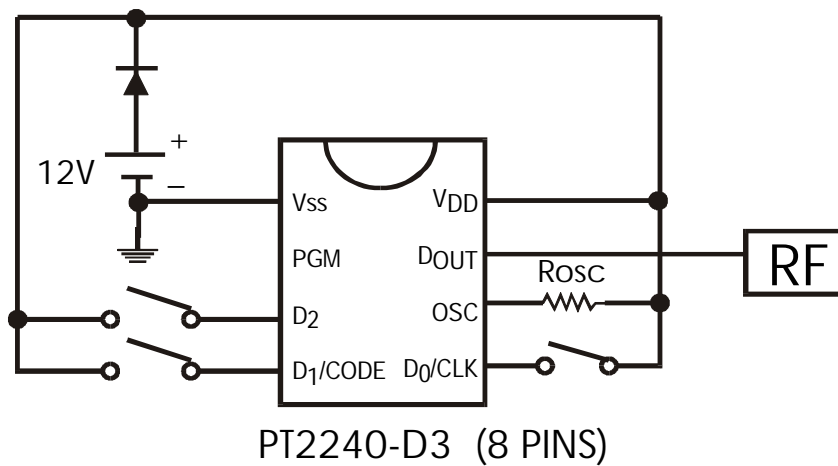


Figure 2: PT2240 (8-pin) Application Circuit

Note: In order that IC protection is assured, please make sure that a diode is connected between the battery and the VDD. If the diode is not connected and the battery polarity was inverted, then the IC will fail.



Note: In order that IC protection is assured, please make sure that a diode is connected between the battery and the VDD. If the diode is not connected and the battery polarity was inverted, then the IC will fail.



Programmable Encoder IC

PT2240

Order Information

Valid Part Number	Package	Address Codes
PT2240-D3	8 Pins, DIP	Programmable
PT2240P-D3	8 Pins, DIP	Programmed
PT2240-D3S	8 Pins, SOP (150 mil)	Programmable
PT2240P-D3S	8 Pins, SIP (150 mil)	Programmed
PT2240	8 Pins, DIP	Programmable
PT2240-S	8 Pins, SOP (150 mil)	Programmable
PT2240P	8 Pins, DIP	Programmed
PT2240P-S	8 Pins, SOP (150 mil)	Programmed
PT2240-16	16 Pins, DIP	Programmable
PT2240-16S	16 Pins, SOP (150 mil)	Programmable
PT2240P-16	16 Pins, DIP	Programmed
PT2240P-16S	16 Pins, SOP (150 mil)	Programmed