

Model P230
24mm Rotary Potentiometer
Conductive Plastic Element
500,000 Cycle Life
Metal Shaft
Brass Bushing
RoHS Compliant



MODEL STYLE

Side Adjust , Solder Lugs

P230

ELECTRICAL¹

| | |
|-----------------------------------|-----------------------------|
| Resistance Range, Ohms | 500-1M |
| Standard Resistance Tolerance | ± 20% |
| Residual Resistance | 20 ohms max. |
| Input Voltage, maximum | 500 Vac max. |
| Power rating, Watts | 0.5W- B taper, 0.25W-others |
| Dielectric Strength | 500Vac, 1 minute |
| Insulation Resistance, Minimum | 100M ohms at 250Vdc |
| Sliding Noise | 100mV max. |
| Actual Electrical Travel, Nominal | 270° |

MECHANICAL

| | |
|----------------------------|-----------|
| Total Mechanical Travel | 300°± 10° |
| Static Stop Strength | 70 oz-in |
| Rotational Torque, Maximum | 1.0 oz-in |

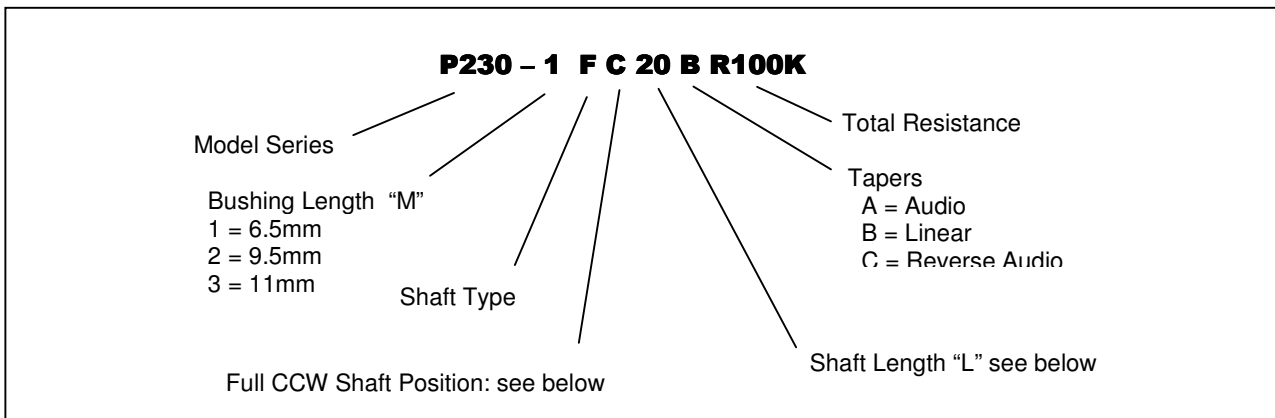
ENVIRONMENTAL

| | |
|-----------------------------|----------------|
| Operating Temperature Range | -20°C to +70°C |
| Rotational Life | 500,000 cycles |

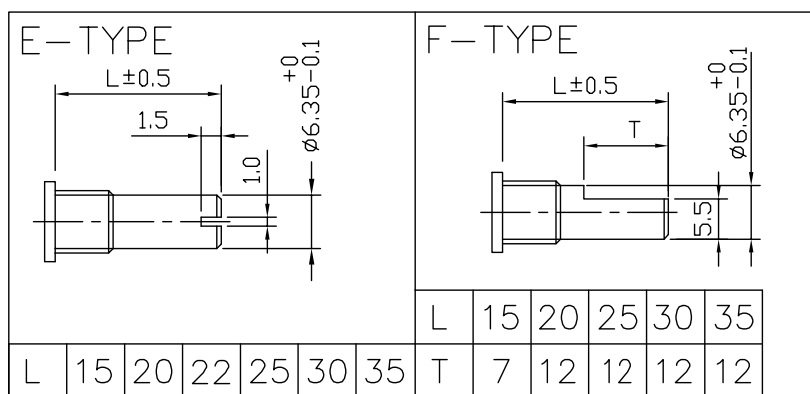
¹ Specifications subject to change without notice.

Model P230

ORDERING INFORMATION²

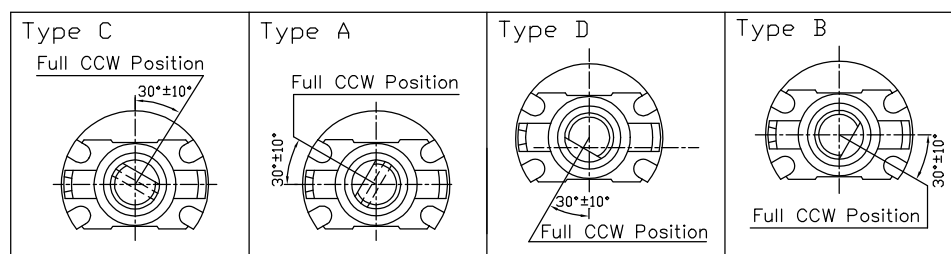


Shaft Types



Shaft Position (F-Type Shaft)

Dashed lines on Type "C" and Type "A" shows position of adjustment slot for E-Type shaft



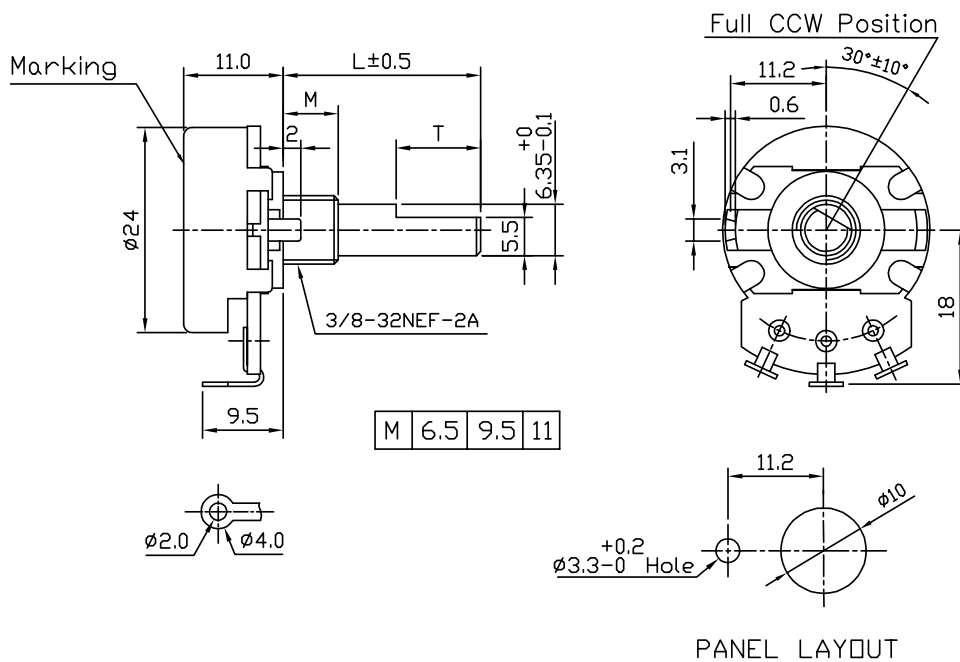
STANDARD RESISTANCE VALUES, OHMS

500 1K 2K 5K 10K 20K 50K 100K 200K 500K 1MEG

² Contact our customer service for custom designs and features.

Model P230

OUTLINE DRAWING



CIRCUIT DIAGRAM

