

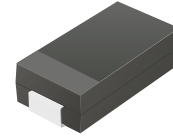
CDBA120SLR-HF Thru. CDBA160SLR-HF

Reverse Voltage: 20 to 60 Volts

Forward Current: 1.0 Amp

RoHS Device

Halogen free

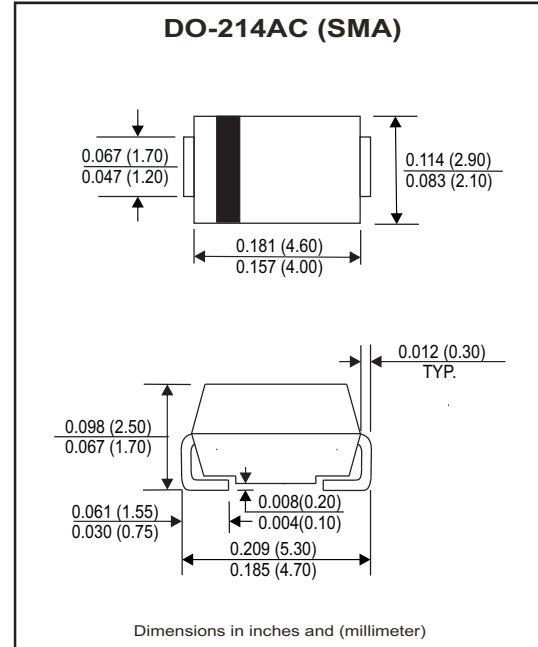


Features

- Low Profile surface mount applications in order to optimize board space.
- Low power loss, high efficiency.
- High current capability, low forward voltage drop.
- High surge capability.
- Guardring for overvoltage protection.
- Ultra high-speed switching.
- Silicon epitaxial planar chip, metal silicon junction.

Mechanical data

- Epoxy: UL94-V0 rate flame retardant.
- Case: Molded plastic, DO-214AC / SMA
- Terminals: Gold plated, solderable per MIL-STD-750, method 2026.
- Polarity: Indicated by cathode band.
- weight: 0.055 grams



Maximum Ratings and Electrical Characteristics

Ratings at $T_a=25^\circ\text{C}$ unless otherwise noted.
Single phase, half wave, 60Hz, resistive or inductive loaded.
For capacitive load, derate current by 20% .

Parameter	Symbol	CDBA120SLR-HF	CDBA140SLR-HF	CDBA160SLR-HF	Units
Max. Repetitive peak reverse voltage	V_{RRM}	20	40	60	V
Max. DC blocking voltage	V_{DC}	20	40	60	V
Max. RMS voltage	V_{RMS}	14	28	42	V
Max. instantaneous forward voltage @ 2.0A, $T_A=25^\circ\text{C}$	V_F	0.35	0.40	0.50	V
Operating Temperature	T_J	-50 to +150			$^\circ\text{C}$

Parameter	Conditions	Symbol	MIN.	TYP.	MAX.	Units
Forward rectified current	see Fig.1	I_o			1.0	A
Forward surge current	8.3ms single half sine-wave superimposed on rate load (JEDEC method)	I_{FSM}			30	A
Reverse current	$V_R = V_{RRM}$ $T_A=25^\circ\text{C}$	I_R			1.0	mA
	$V_R = V_{RRM}$ $T_A=100^\circ\text{C}$	I_R			20	mA
Thermal resistance	Junction to ambient	$R_{\theta JA}$		88		$^\circ\text{C/W}$
Diode junction capacitance	$f=1\text{MHz}$ and applied 4V DC reverse Voltage	C_J		120		pF
Storage temperature		T_{STG}	-50		+150	$^\circ\text{C}$

RATING AND CHARACTERISTIC CURVES (CDBA120SLR-HF Thru. CDBA160SLR-HF)

Fig.1- Typical Forward Current Derating Curve

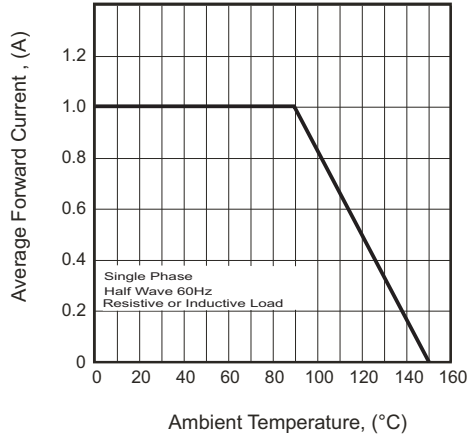


Fig.2- Typical Forward Characteristics

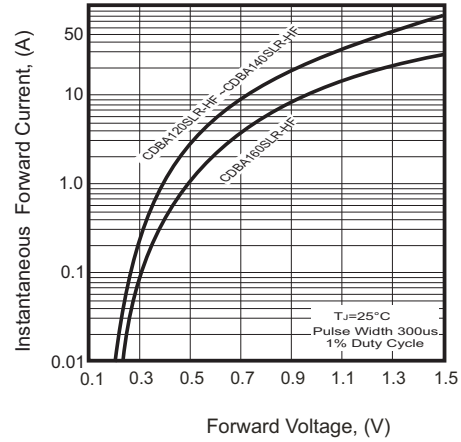


Fig.3- Maximum Non-repetitive Forward Surge Current

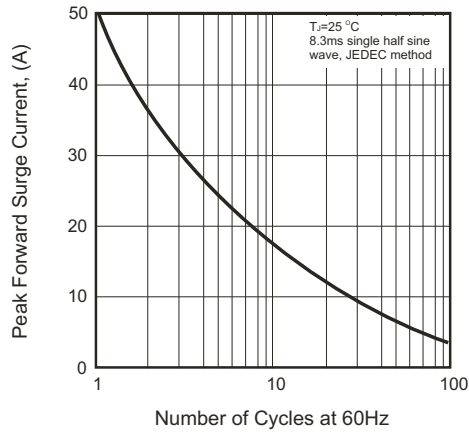


Fig.4- Typical Junction Capacitance

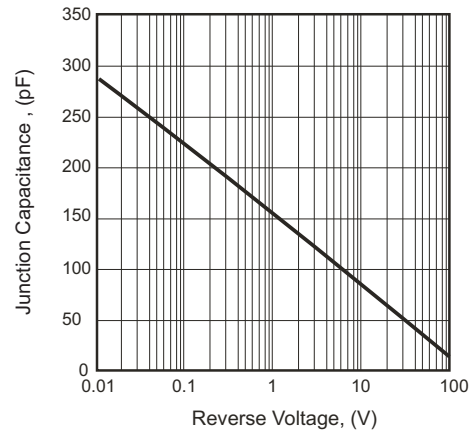
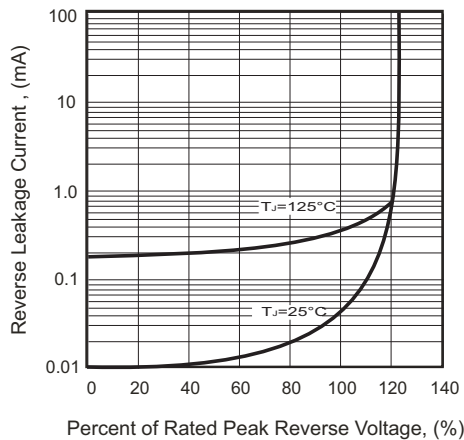
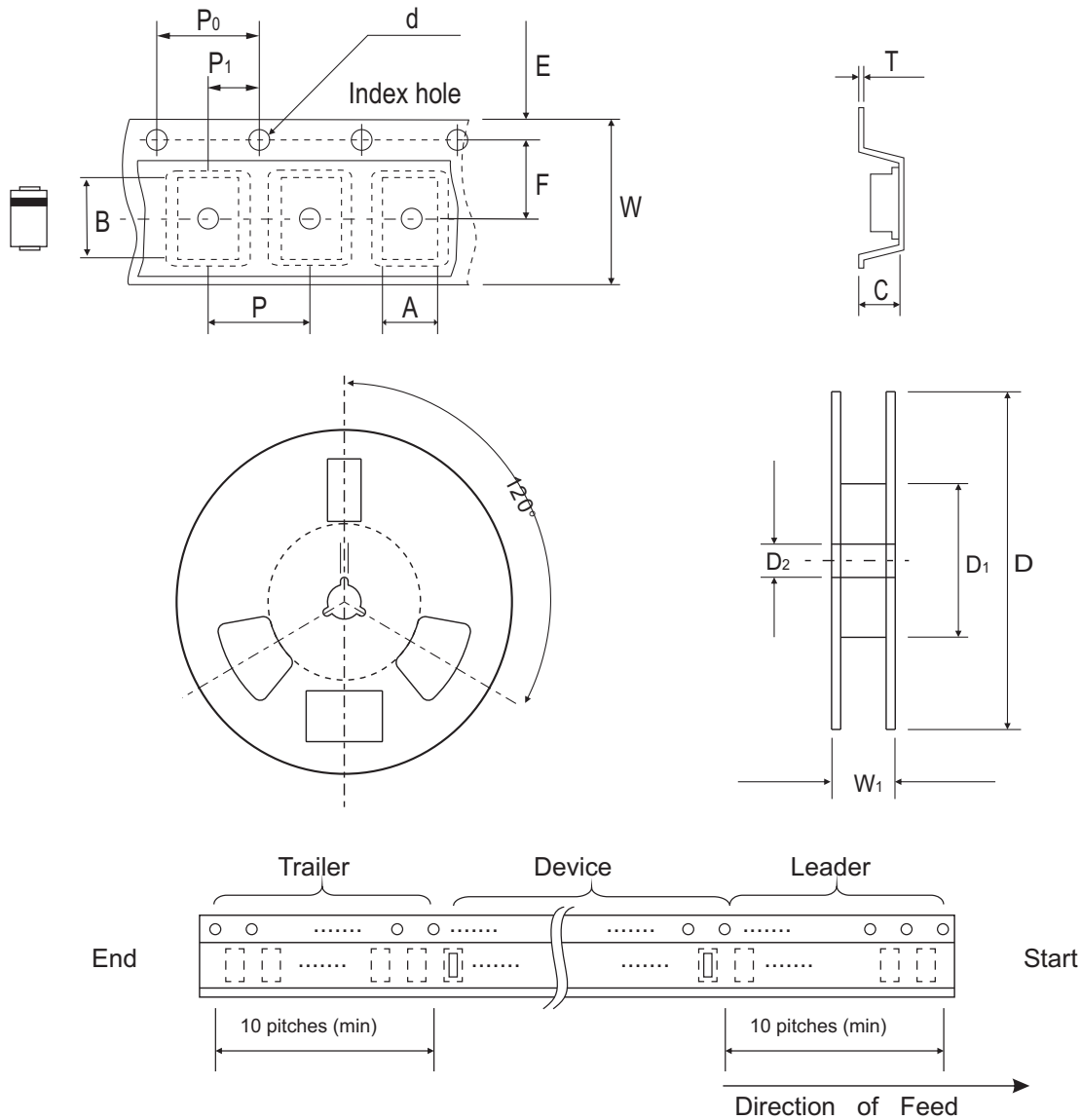


Fig.5- Typical Reverse Characteristics



Reel Taping Specification



DO-214AC (SMA)	SYMBOL	A	B	C	d	D	D ₁	D ₂
	(mm)	2.70 ± 0.10	5.30 ± 0.10	2.66 ± 0.10	1.50 ± 0.10	330 ± 2.00	62.0 MIN.	13.50 ± 0.50
	(inch)	0.106 ± 0.004	0.209 ± 0.004	0.105 ± 0.004	0.059 ± 0.004	12.99 ± 0.079	2.441 MIN.	0.531 ± 0.020

DO-214AC (SMA)	SYMBOL	E	F	P	P ₀	P ₁	T	W	W ₁
	(mm)	1.75 ± 0.10	5.50 ± 0.10	4.00 ± 0.10	4.00 ± 0.10	2.00 ± 0.10	0.60 ± 0.10	12.0 ± 0.30	18.40 ± 1.00
	(inch)	0.069 ± 0.004	0.217 ± 0.004	0.157 ± 0.004	0.157 ± 0.004	0.079 ± 0.004	0.236 ± 0.004	0.472 ± 0.012	0.724 ± 0.039

Marking Code

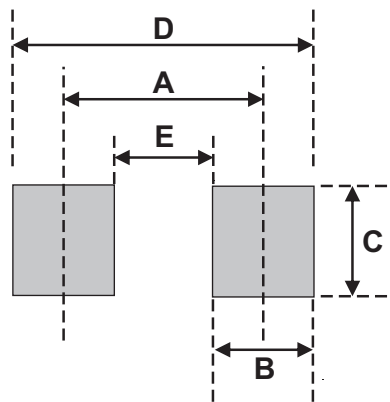
Part Number	Marking Code
CDBA120SLR-HF	KS12
CDBA140SLR-HF	KS14
CDBA160SLR-HF	KS16



xxxx = Product type marking code

Suggested PAD Layout

SIZE	DO-214AC(SMA)	
	(mm)	(inch)
A	4.00	0.157
B	2.50	0.100
C	1.70	0.068
D	6.50	0.256
E	1.50	0.060



Standard Packaging

Case Type	REEL PACK	
	REEL (pcs)	Reel Size (inch)
DO-214AC (SMA)	5,000	13