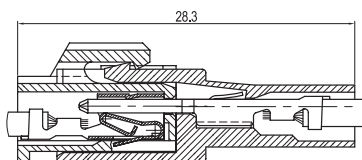
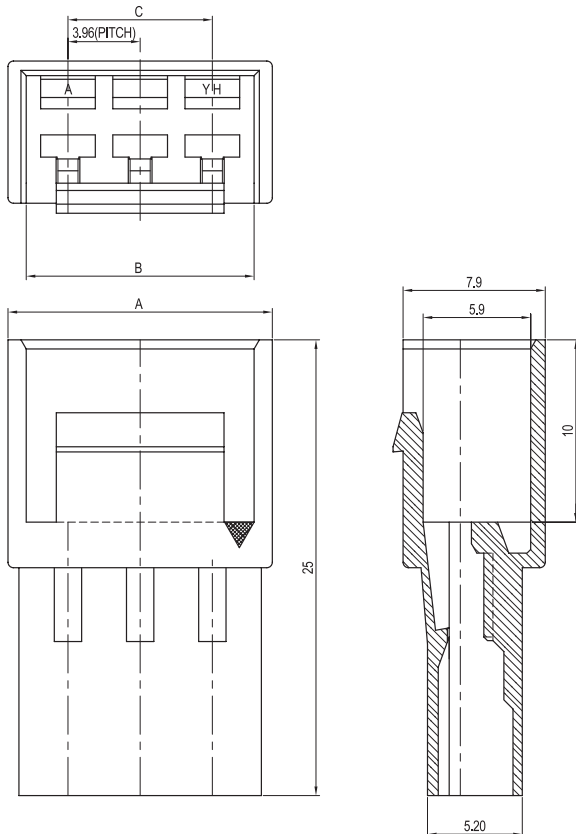
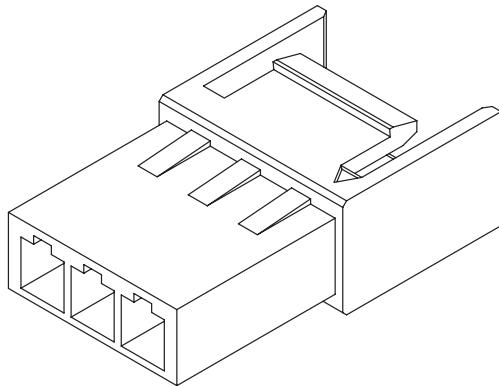


3.96mm (0.156") PITCH CONNECTOR

Wire-to-Wire
Plug

SMP396 Series



TERMINAL ASSEMBLY DRAWING



AWG : #24 ~ #20

Material

I/NO	DESCRIPTION	TITLE	MATERIAL
1	PLUG	SMP396	PA66, UL94 V Grade

Available Pin

PARTS NO.	DIM. A	DIM. B	DIM. C
SMP396-02000	10.54	8.54	3.96
SMP396-03000	14.50	12.5	7.92
SMP396-04000	18.46	16.46	11.88
SMP396-05000	22.42	20.42	15.84
SMP396-06000	26.38	24.38	19.8
SMP396-07000	29.98	28.34	23.76
SMP396-08000	33.94	32.30	27.72
SMP396-09000	37.90	36.26	31.68
SMP396-10000	41.86	40.22	35.64
SMP396-11000	45.82	44.18	39.60
SMP396-12000	49.78	48.14	43.56
SMP396-13000	53.74	52.10	47.52
SMP396-14000	57.70	56.06	51.48
SMP396-15000	61.66	60.02	55.44

Specification

ITEM	SPEC
Voltage Rating	AC/DC 250V
Current Rating	AC/DC 5A
Operating Temperature	-25 °C ~ +85 °C
Contact Resistance	30mΩ MAX
Withstanding Voltage	AC1500V/1min
Insulation Resistance	1000MΩ MIN
Applicable Wire	AWG #20~#24
Applicable P.C.B	-
Applicable FPC/FFC	-
Solder Height	-
Crimp Tensile Strength	-
UL FILE NO	-

Application Terminal : SMT396 (190 page)