

SEMPACK® 4 Thyristor Modules

SKET 330
SKET 400



SKET

Features

- Heat transfer through aluminium nitride ceramic isolated metal baseplate
- Precious metal pressure contacts for high reliability
- With amplifying gate
- UL recognized, file no. E 63 532

Typical Applications

- DC motor control (e. g. for machine tools)
- Temperature control (e. g. for ovens, chemical processes)
- Professional light dimming (studios, theaters)

V_{RSM}	V_{RRM} V_{DRM}	$(dv/dt)_{cr}$	I_{TRMS} (maximum values for continuous operation)	
			600 A	700 A
V	V	V/ μ s	I_{TAV} (sin. 180; $T_{case} = \dots$)	
			380 (68 °C)	440 A (78 °C)
900	800	500	SKET 330/08 D	SKET 400/08 D
1300	1200	1000	SKET 330/12 E	SKET 400/12 E
1500	1400	1000	SKET 330/14 E	SKET 400/14 E
1700	1600	1000	SKET 330/16 E	SKET 400/16 E
1900	1800	1000	SKET 330/18 E	SKET 400/18 E
2100	2000	1000	SKET 330/20 E	–
2300	2200	1000	SKET 330/22 E	–

Symbol	Conditions	SKET 330	SKET 400	Units
I_{TAV}	sin. 180; ($T_{case} = \dots$)	330 (78)	400 (84)	A °C
I_D	B2/B6 $T_{amb} = 35$ °C; P 16/300 F	530 / 665	700 / 880	A
I_{RMS}	W1/W3 $T_{amb} = 35$ °C; P 16/400 F	685 / 3 x 550	905 / 3 x 720	A
I_{TSM}	$T_{vj} = 25$ °C; 10 ms	9 000	14 000	A
i^2t	$T_{vj} = 130$ °C; 10 ms	8 000	12 000	A
	$T_{vj} = 25$ °C; 8,3 ... 10 ms	405 000	980 000	A ² s
	$T_{vj} = 130$ °C; 8,3 ... 10 ms	320 000	720 000	A ² s
t_{gd}	$T_{vj} = 25$ °C $I_G = 1$ A $di_G/dt = 1$ A/ μ s	1		μ s
t_{gr}	$V_D = 0,67 \cdot V_{DRM}$	2		μ s
$(di/dt)_{cr}$	$T_{vj} = 130$ °C	125		A/ μ s
t_q	$T_{vj} = 130$ °C	typ. 150 ... 200		μ s
I_H	$T_{vj} = 25$ °C	150 / 500		mA
I_L	$T_{vj} = 25$ °C; $R_G = 33$ Ω ; typ./max.	0,5 / 2		A
V_T	$T_{vj} = 25$ °C; ($I_T = \dots$); max.	2,05 (1500)	1,7 (2400)	V A
$V_{T(TO)}$	$T_{vj} = 130$ °C	1,2	0,92	V
r_T	$T_{vj} = 130$ °C	0,55	0,3	m Ω
I_{DD} ; I_{RD}	$T_{vj} = 130$ °C; $V = V_{DRM} / V_{RRM}$	120	80	mA
V_{GT}	$T_{vj} = 25$ °C; d.c.	3		V
I_{GT}	$T_{vj} = 25$ °C; d.c.	200		mA
V_{GD}	$T_{vj} = 130$ °C; d.c.	0,25		V
I_{GD}	$T_{vj} = 130$ °C; d.c.	10		mA
R_{thjc}	cont.	0,09		°C/W
R_{thch} T_{vj} ; T_{stg}	sin. 180	0,095		°C/W
	rec. 120	0,11		°C/W
		0,02		°C/W
		– 40 ... + 130		°C
V_{isol}	a. c. 50 Hz; r.m.s; 1 s/1 min	3600 / 3000		V~
M_1	to heatsink to terminals } SI (US) units	5 (44 lb. in.) \pm 15 % ¹⁾		Nm
M_2		17 (150 lb. in.) \pm 15 % ²⁾		Nm
a		5 · 9,81		m/s ²
w	approx.	940		g
Case	→ page B 1 – 94	A 36		

1) See the assembly instructions
2) The screws must be lubricated

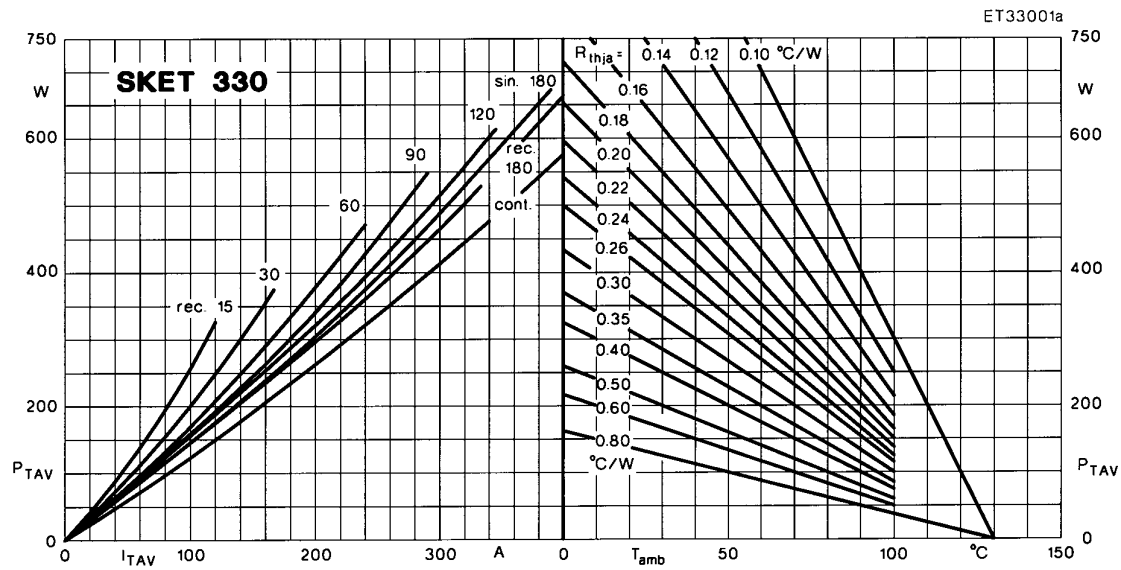


Fig. 1 a Power dissipation vs. on-state current and ambient temperature

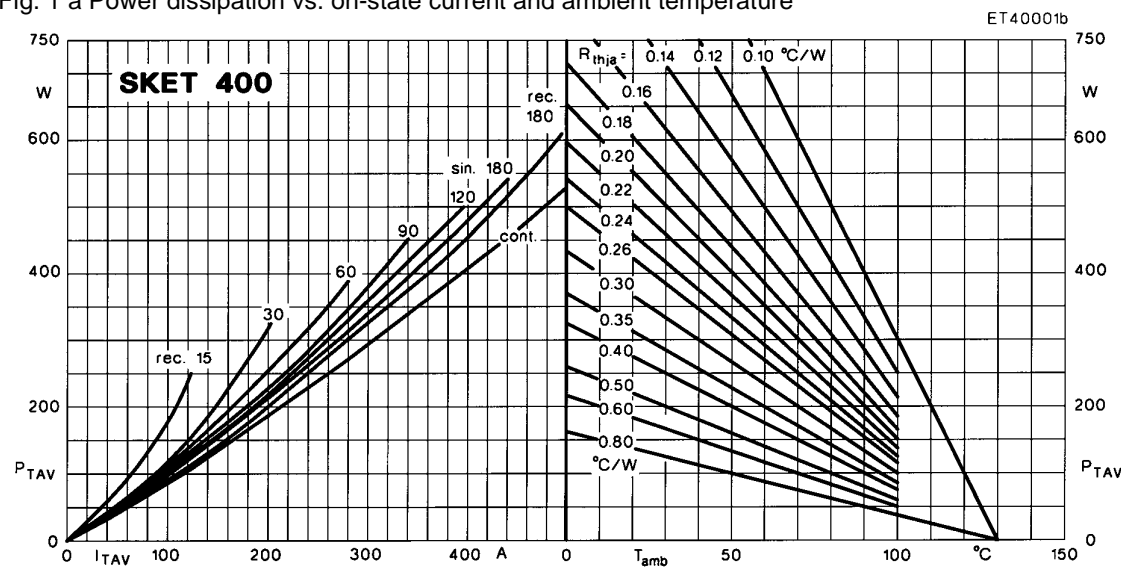


Fig. 1 b Power dissipation vs. on-state current and ambient temperature

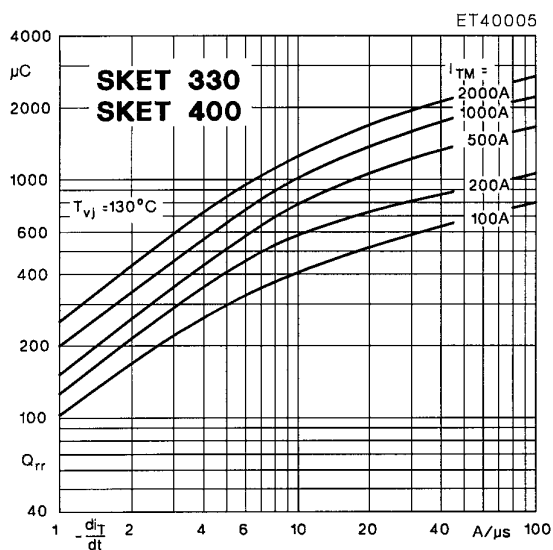


Fig. 5 Recovered charge vs. current decrease

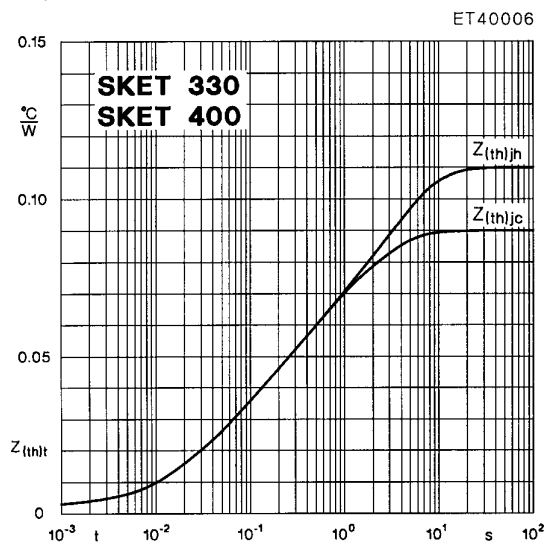


Fig. 6 Transient thermal impedance vs. time

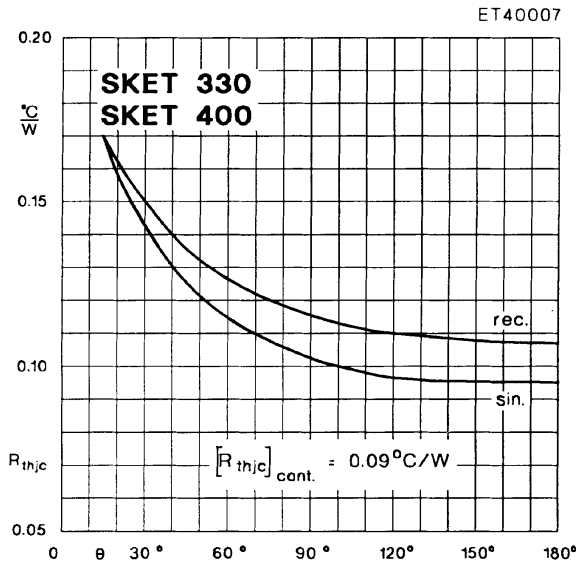


Fig. 7 Thermal resistance vs. conduction angle

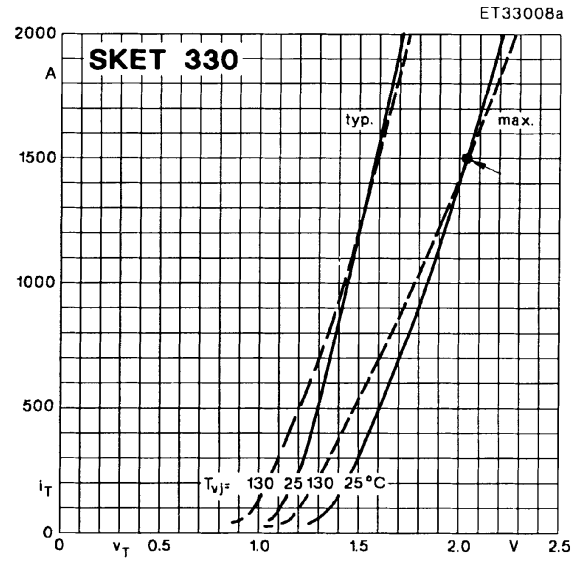


Fig. 8 a On-state characteristics

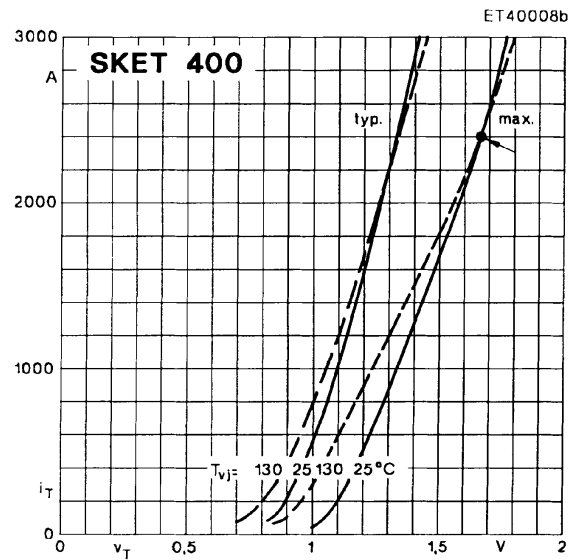


Fig. 8 b On-state characteristics

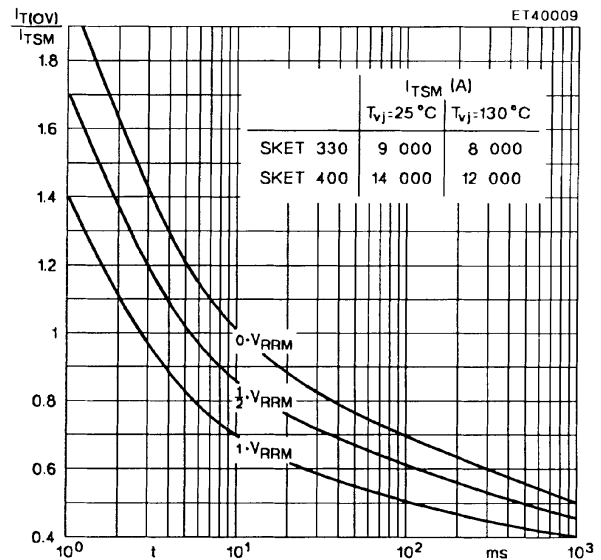


Fig. 9 Surge overload current vs. time

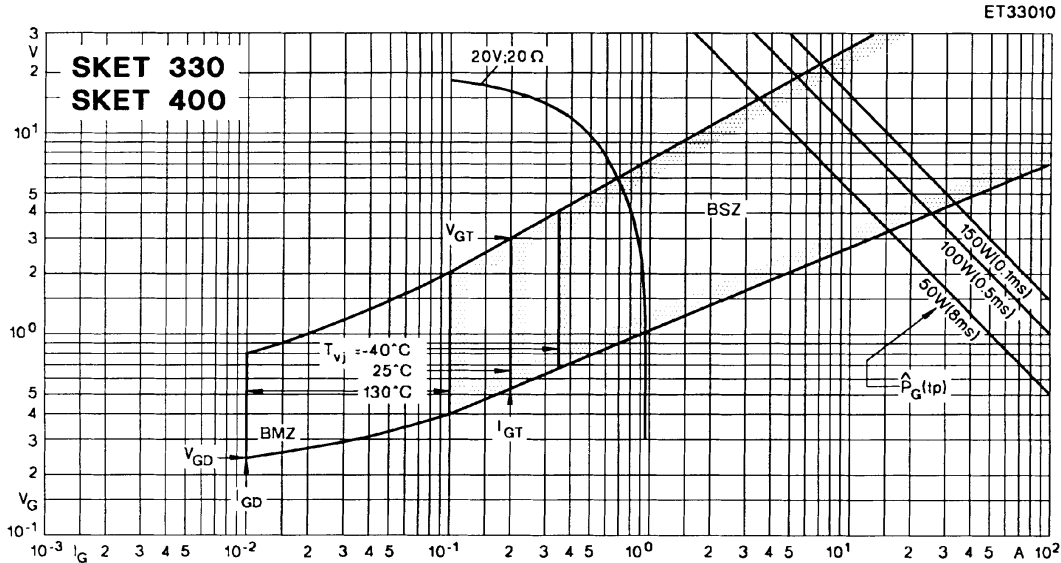
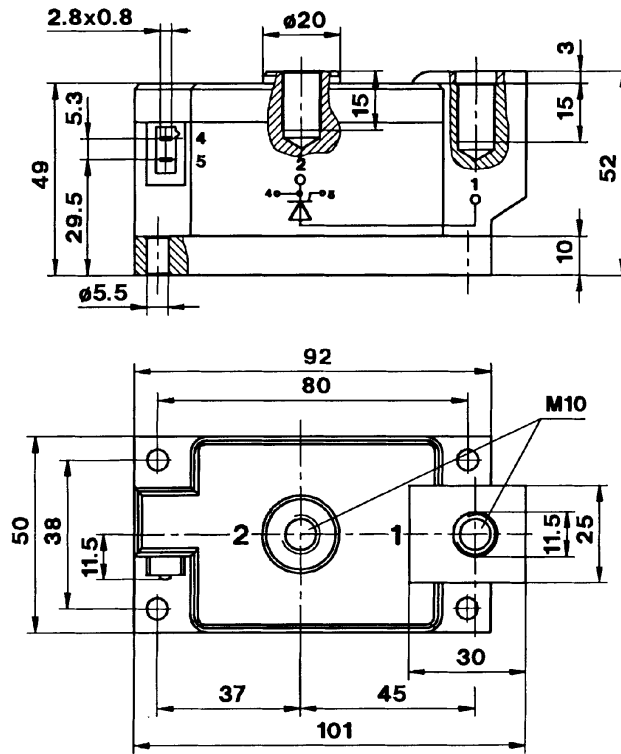


Fig. 10 Gate trigger characteristics

SKET 330
SKET 400

Case A 36

SEMIPACK[®] 4

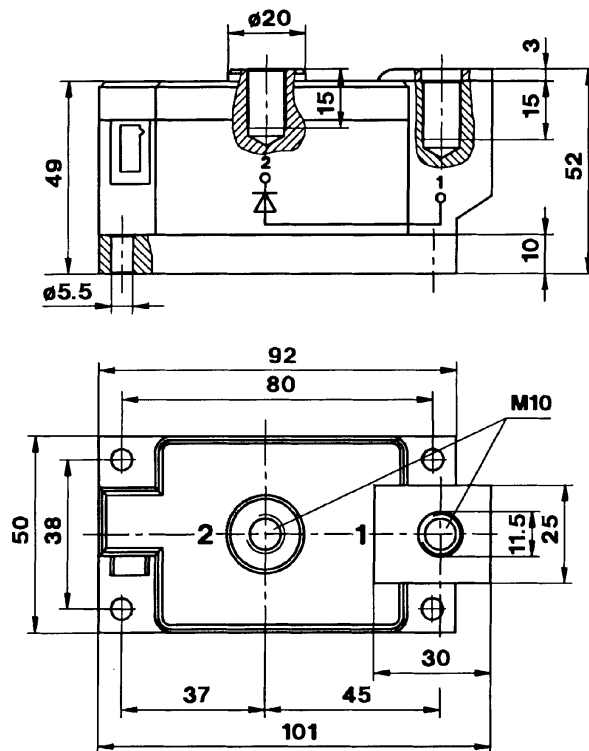


Dimensions in mm

SKKE 400

Case A 42

SEMIPACK[®] 4



Dimensions in mm