

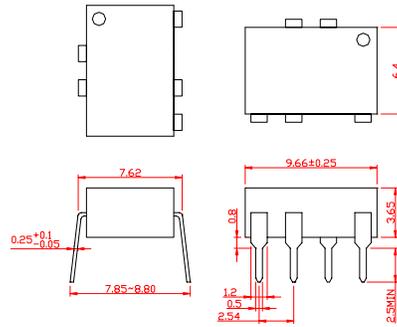
● **Features :**

1. Compact dual-in-line Package.
2. 400V peak blocking voltage.
3. Isolation voltage between input and output 2500Vrms.

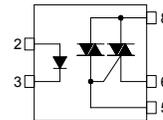
● **Application :**

1. TRIAC Driver.
2. Programmable Controllers.
3. AC-Output Module.
4. Solid State Relay.

● **Outside Dimension : Unit ( mm )**



● **Schematic : Top View**



- 2 : Anode
- 3 : Cathode
- 5 : TRIAC Gate
- 6 : TRIAC T1
- 8 : TRIAC T2

● **Absolute Maximum Ratings : ( Ta=25°C )**

CHARACTERISTIC		SYMBOL	RATING	UNIT
Input	Forward Current	$I_F$	50	mA
	Forward Current Derating ( $T_a \geq 53^\circ\text{C}$ )	$\Delta I_F/^\circ\text{C}$	-0.7	mA/°C
	Peak Forward Current ( 100 $\mu\text{s}$ pulse, 100pps )	$I_{FP}$	1	A
	Reverse Voltage	$V_R$	5	V
	Junction Temperature	$T_j$	125	°C
Output	Off-State Output Terminal Voltage	$V_{DRM}$	400	V
	On-State RMS Current	$T_a=40^\circ\text{C}$	0.5	A
		$T_a=60^\circ\text{C}$	0.35	
	On-State Current Derating ( $T_a \geq 40^\circ\text{C}$ )	$\Delta I_T/^\circ\text{C}$	-7.2	mA/°C
	Peak Current from Snubber Circuit ( 100 $\mu\text{s}$ pulse, 120pps )	$I_{SP}$	2	A
	Peak Nonrepetitive Surge Current ( 50Hz, Peak )	$I_{TSM}$	5	A
Junction Temperature	$T_j$	110	°C	
Storage Temperature Range		$T_{stg}$	-40~125	°C
Operating Temperature Range		$T_{opr}$	-20~80	°C
Lead Soldering Temperature ( 10s )		$T_{sol}$	260	°C
Isolation Voltage ( AC, 1min., R.H. $\leq$ 60% )		$BV_S$	2500	Vrms

● **Electro-optical characteristics :**

CHARACTERISTIC		SYMBOL	TEST CONDITION	MIN.	TYP.	MAX.	UNIT
Input	Forward Voltage	$V_F$	$I_F=10\text{mA}$	1.0	1.15	1.3	V
	Reverse Current	$I_R$	$V_R=5\text{V}$	-	-	10	$\mu\text{A}$
	Capacitance	$C_T$	$V=0, f=1\text{MHz}$	-	30	-	pF
Output	Peak Off-State Current	$I_{DRM}$	$V_{DRM}=400\text{V}, T_a=110^\circ\text{C}$	-	-	100	$\mu\text{A}$
	Peak On-State Voltage	$V_{TM}$	$I_{TM}=0.75\text{A}$	-	-	3.0	V
	Holding Current	$I_H$	$R_L=100\Omega$	-	-	25	mA
	Critical Rate of Rise of Off-State Voltage	dv/dt	$V_{in}=120\text{Vrms}$	200	500	-	V/ $\mu\text{s}$
	Critical Rate of Rise of Commutating Voltage	dv/dt(c)	$V_{in}=120\text{Vrms}, I_T=0.5\text{Arms}$	-	5	-	V/ $\mu\text{s}$
Transfer	Trigger LED Current	$I_{FT}$	$V_T=6\text{V}$	-	-	10	mA
	Capacitance ( Input to Output )	$C_S$	$V_S=0, f=1\text{MHz}$	-	1.5	-	pF
	Isolation Resistance	$R_S$	$V_S=500\text{V}$	$5 \times 10^{10}$	$10^{14}$	-	$\Omega$
			AC, 1minute	2500	-	-	
Isolation Voltage	$BV_S$	AC, 1second, in oil	-	5000	-	Vrms	
		DC, 1minute, in oil	-	5000	-	Vdc	