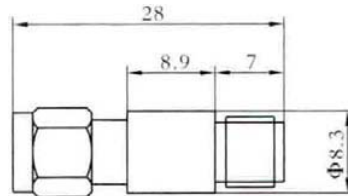


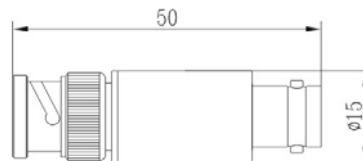
Attenuators

Coaxial



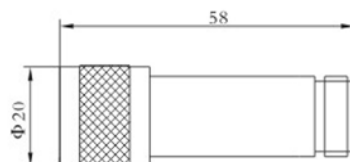
P/N	ACBXX-0.5RS	
Power(W)	0.5	
Attenuation(dB)*	1-30	
Accuracy(dB)	1-10dB	±0.6
	11-20dB	±0.8
	21-30dB	±1.0
Frequency(GHz)*	DC-6	
Resistance(Ω)	50	
VSWR	DC-3GHz	1.20:1 max
	DC-6GHz	1.25:1 max
Connector*	SMA-M/SMA-F	
Operation Temperature(°C)	-55~+85	
Size(mm)*	√ 8.3×28	
Weight(KG)	0.007	

* Customization is available.



P/N	ACBXX-2RB	
Power(W)	2	
Attenuation(dB)*	1-30	
Accuracy(dB)	1-10dB	±0.6
	11-20dB	±0.8
	21-30dB	±1.0
Frequency(GHz)*	DC-6	
Resistance(Ω)	50	
VSWR	DC-3GHz	1.20:1 max
	DC-6GHz	1.25:1 max
Connector*	BNC-M/BNC-F	
Operation Temperature(°C)	-55~+85	
Size(mm)*	√ 15×50	
Weight(KG)	0.03	

* Customization is available.

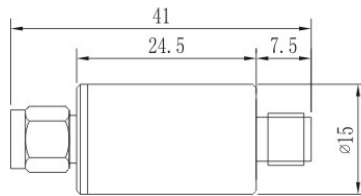


P/N	ACBXX-2RN	
Power(W)	2	
Attenuation(dB)*	1-30	
Accuracy(dB)	1-10dB	±0.6
	11-20dB	±0.8
	21-30dB	±1.0
Frequency(GHz)*	DC-6	
Resistance(Ω)	50	
VSWR	DC-3GHz	1.15:1 max
	DC-6GHz	1.25:1 max
Connector*	N-M/N-F	
Operation Temperature(°C)	-55~+85	
Size(mm)*	√ 20×58	
Weight(KG)	0.056	

* Customization is available.

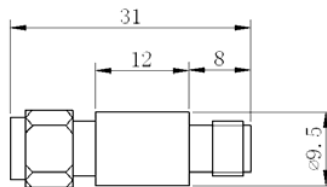
Attenuators

Coaxial



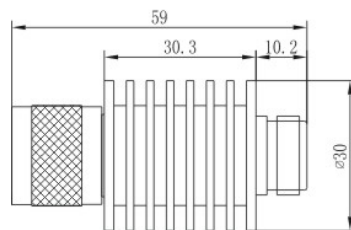
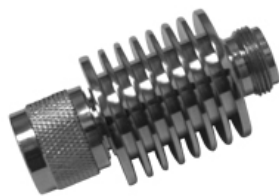
P/N	ACBXX-2RS	
Power(W)	2	
Attenuation(dB)*	1-30	
Accuracy(dB)	1-10dB	±0.6
	11-20dB	±0.8
	21-30dB	±1.0
Frequency(GHz)*	DC-6	
Resistance(Ω)	50	
VSWR	DC-3GHz	1.15:1 max
	DC-6GHz	1.25:1 max
Connector*	SMA-M/SMA-F	
Operation Temperature(°C)	-55~+85	
Size(mm)*	√ 15×41	
Weight(KG)	0.023	

* Customization is available.



P/N	ACBXX-2RSB	
Power(W)	2	
Attenuation(dB)*	1-30	
Accuracy(dB)	1-10dB	±0.6
	11-20dB	±0.8
	21-30dB	±1.0
Frequency(GHz)*	DC-6	
Resistance(Ω)	50	
VSWR	DC-3GHz	1.15:1 max
	DC-6GHz	1.25:1 max
Connector*	SMA-M/ SMA-F	
Operation Temperature(°C)	-55~+85	
Size(mm)*	√ 9.5×31	
Weight(KG)	0.01	

* Customization is available.

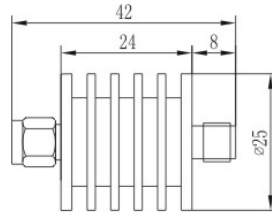


P/N	ACBXX-5RN	
Power(W)	5	
Attenuation(dB)*	1-30	
Accuracy(dB)	1-10dB	±0.6
	11-20dB	±0.8
	21-30dB	±1.0
Frequency(GHz)*	DC-6	
Resistance(Ω)	50	
VSWR	DC-3GHz	1.20:1 max
	DC-6GHz	1.25:1 max
Connector*	N-M/N-F	
Operation Temperature(°C)	-55~+85	
Size(mm)*	√ 30×59	
Weight(KG)	0.135	

* Customization is available.

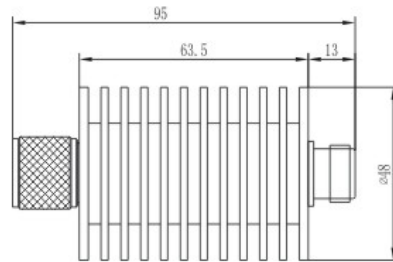
Attenuators

Coaxial



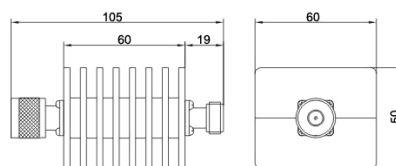
P/N	ACBXX-5RS	
Power(W)	5	
Attenuation(dB)*	1-30	
Accuracy(dB)	1-10dB	±0.6
	11-20dB	±0.8
	21-30dB	±1.0
Frequency(GHz)*	DC-6	
Resistance(Ω)	50	
VSWR	DC-3GHz	1.20:1 max
	DC-6GHz	1.25:1 max
Connector*	SMA-M/SMA-F	
Operation Temperature(°C)	-55~+85	
Size(mm)*	√25×42	
Weight(KG)	0.056	

* Customization is available.



P/N	ACBXX-10RN	
Power(W)	10	
Attenuation(dB)*	1-30	
Accuracy(dB)	1-10dB	±0.6
	11-20dB	±0.8
	21-30dB	±1.0
Frequency(GHz)*	DC-6	
Resistance(Ω)	50	
VSWR	DC-3GHz	1.20:1 max
	DC-6GHz	1.25:1 max
Connector*	N-M/N-F	
Operation Temperature(°C)	-55~+85	
Size(mm)*	√48×95	
Weight(KG)	0.229	

* Customization is available.

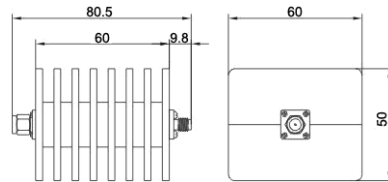


P/N	ACBXX-10SN	
Power(W)	10	
Attenuation(dB)*	1-30	
Accuracy(dB)	1-10dB	±0.6
	11-20dB	±0.8
	21-30dB	±1.0
Frequency(GHz)*	DC-6	
Resistance(Ω)	50	
VSWR	DC-3GHz	1.20:1 max
	DC-6GHz	1.25:1 max
Connector*	N-M/N-F	
Operation Temperature(°C)	-55~+85	
Size(mm)*	60×60×50	
Weight(KG)	0.307	

* Customization is available.

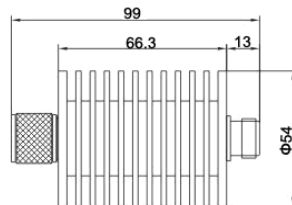
Attenuators

Coaxial



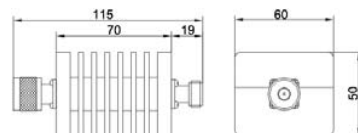
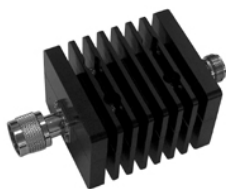
P/N	ACBXX-10SS	
Power(W)	10	
Attenuation(dB)*	1-30	
Accuracy(dB)	1-10dB	±0.6
	11-20dB	±0.8
	21-30dB	±1.0
Frequency(GHz)*	DC-6	
Resistance(Ω)	50	
VSWR	DC-3GHz	1.20:1 max
	DC-6GHz	1.25:1 max
Connector*	SMA-M/SMA-F	
Operation Temperature(°C)	-55~+85	
Size(mm)*	60×60×50	
Weight(KG)	0.263	

* Customization is available.



P/N	ACBXX-20RN	
Power(W)	20	
Attenuation(dB)*	1-30	
Accuracy(dB)	1-10dB	±0.6
	11-20dB	±0.8
	21-30dB	±1.0
Frequency(GHz)*	DC-6	
Resistance(Ω)	50	
VSWR	DC-3GHz	1.20:1 max
	DC-6GHz	1.35:1 max
Connector*	N-M/N-F	
Operation Temperature(°C)	-55~+85	
Size(mm)*	√ 54×99	
Weight(KG)	0.3	

* Customization is available.

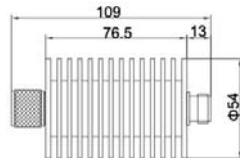


P/N	ACBXX-20SN	
Power(W)	20	
Attenuation(dB)*	1-30	
Accuracy(dB)	1-10dB	±0.6
	11-20dB	±0.8
	21-30dB	±1.0
Frequency(GHz)*	DC-6	
Resistance(Ω)	50	
VSWR	DC-3GHz	1.20:1 max
	DC-6GHz	1.35:1 max
Connector*	N-M/N-F	
Operation Temperature(°C)	-55~+85	
Size(mm)*	70×60×50	
Weight(KG)	0.385	

* Customization is available.

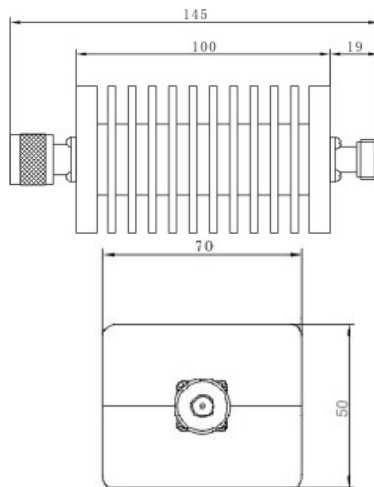
Attenuators

Coaxial



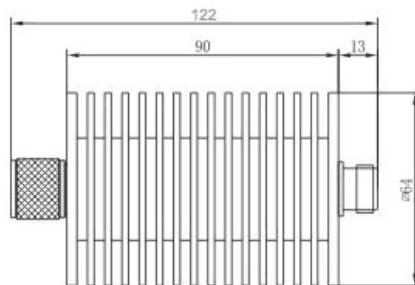
P/N	ACBXX-30RN	
Power(W)	30	
Attenuation(dB)*	1-30	
Accuracy(dB)	1-10dB	±0.6
	11-20dB	±0.8
	21-30dB	±1.0
Frequency(GHz)*	DC-6	
Resistance(Ω)	50	
VSWR	DC-3GHz	1.20:1 max
	DC-6GHz	1.35:1 max
Connector*	N-M/N-F	
Operation Temperature(°C)	-55~+85	
Size(mm)*	√54×109	
Weight(KG)	0.58	

* Customization is available.



P/N	ACBXX-30SN	
Power(W)	30	
Attenuation(dB)*	1-30	
Accuracy(dB)	1-10dB	±0.6
	11-20dB	±0.8
	21-30dB	±1.0
Frequency(GHz)*	DC-6	
Resistance(Ω)	50	
VSWR	DC-3GHz	1.20:1 max
	DC-6GHz	1.35:1 max
Connector*	N-M/N-F	
Operation Temperature(°C)	-55~+85	
Size(mm)*	100×70×50	
Weight(KG)	0.63	

* Customization is available.

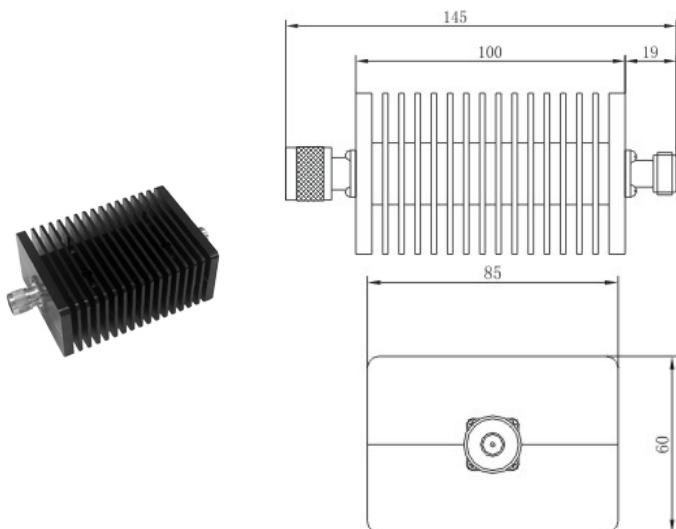


P/N	ACBXX-50RN	
Power(W)	50	
Attenuation(dB)*	1-30	
Accuracy(dB)	1-10dB	±0.6
	11-20dB	±0.8
	21-30dB	±1.0
Frequency(GHz)*	DC-6	
Resistance(Ω)	50	
VSWR	DC-3GHz	1.20:1 max
	DC-6GHz	1.35:1 max
Connector*	N-M/N-F	
Operation Temperature(°C)	-55~+85	
Size(mm)*	√64×122	
Weight(KG)	0.5	

* Customization is available.

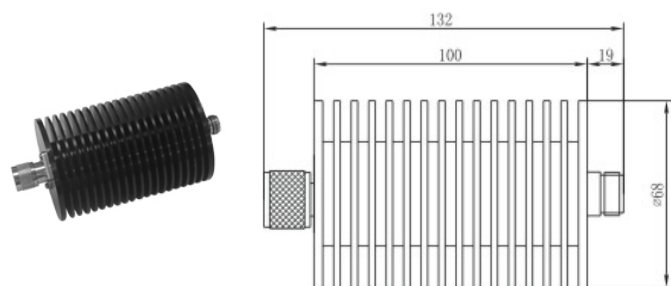
Attenuators

Coaxial



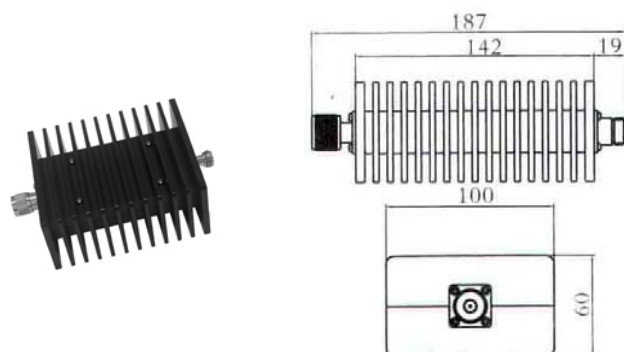
P/N		ACBXX-50SN
Power(W)		50
Attenuation(dB)*		1-30
Accuracy(dB)	1-10dB	±0.6
	11-20dB	±0.8
	21-30dB	±1.0
Frequency(GHz)*		DC-6
Resistance(Ω)		50
VSWR	DC-3GHz	1.20:1 max
	DC-6GHz	1.35:1 max
Connector*		N-M/N-F
Operation Temperature(°C)		-55~+85
Size(mm)*		100×85×60
Weight(KG)		0.994

* Customization is available.



P/N		ACBXX-80RN
Power(W)		80
Attenuation(dB)*		1-30
Accuracy(dB)	1-10dB	±0.6
	11-20dB	±0.8
	21-30dB	±1.0
Frequency(GHz)*		DC-6
Resistance(Ω)		50
VSWR	DC-3GHz	1.20:1 max
	DC-6GHz	1.35:1 max
Connector*		N-M/N-F
Operation Temperature(°C)		-55~+85
Size(mm)*		√68×132
Weight(KG)		0.535

* Customization is available.

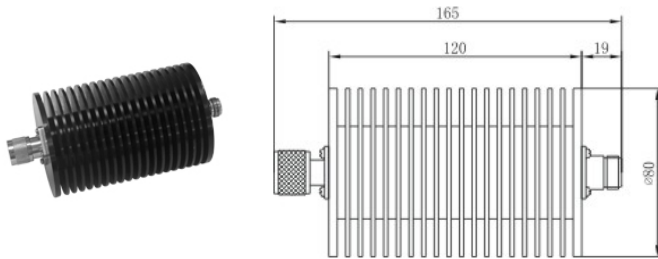


P/N		ACBXX-80SN
Power(W)		80
Attenuation(dB)*		1-30
Accuracy(dB)	1-10dB	±0.6
	11-20dB	±0.8
	21-30dB	±1.0
Frequency(GHz)*		DC-6
Resistance(Ω)		50
VSWR	DC-3GHz	1.20:1 max
	DC-6GHz	1.35:1 max
Connector*		N-M/N-F
Operation Temperature(°C)		-55~+85
Size(mm)*		142×100×60
Weight(KG)		1.355

* Customization is available.

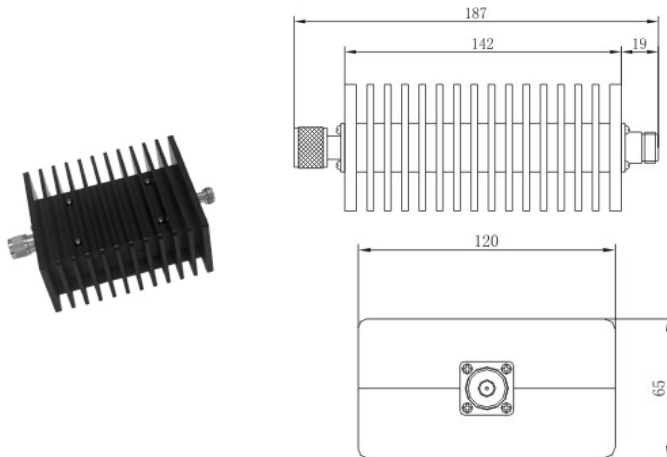
Attenuators

Coaxial



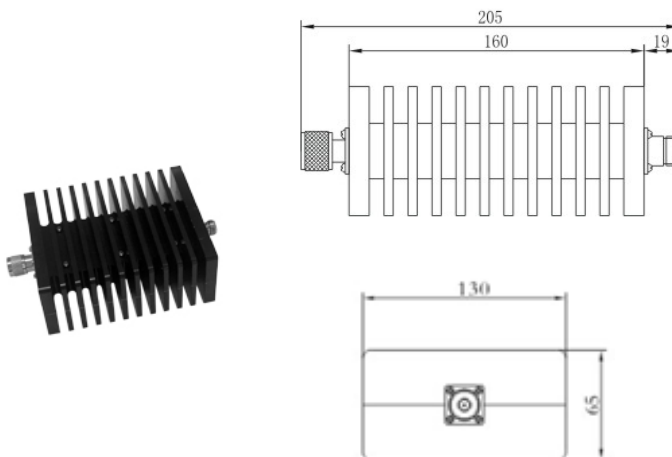
P/N	ACBXX-100RN	
Power(W)	100	
Attenuation(dB)*	1-30	
Accuracy(dB)	1-10dB	±0.6
	11-20dB	±0.8
	21-30dB	±1.0
Frequency(GHz)*	DC-6	
Resistance(Ω)	50	
VSWR	DC-3GHz	1.20:1 max
	DC-6GHz	1.35:1 max
Connector*	N-M/N-F	
Operation Temperature(°C)	-55~+85	
Size(mm)*	√80×165	
Weight(KG)	0.84	

* Customization is available.



P/N	ACBXX-100SN	
Power(W)	100	
Attenuation(dB)*	1-30	
Accuracy(dB)	1-10dB	±0.6
	11-20dB	±0.8
	21-30dB	±1.0
Frequency(GHz)*	DC-6	
Resistance(Ω)	50	
VSWR	DC-3GHz	1.20:1 max
	DC-6GHz	1.35:1 max
Connector*	N-M/N-F	
Operation Temperature(°C)	-55~+85	
Size(mm)*	142×120×65	
Weight(KG)	2.1	

* Customization is available.

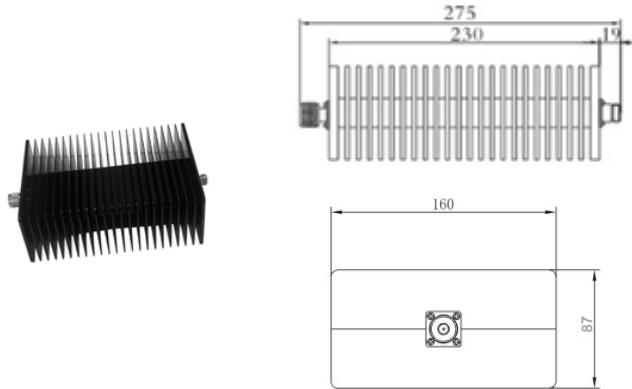


P/N	ACBXX-150SN	
Power(W)	150	
Attenuation(dB)*	1-30	
Accuracy(dB)	1-10dB	±0.6
	11-20dB	±0.8
	21-30dB	±1.0
Frequency(GHz)*	DC-6	
Resistance(Ω)	50	
VSWR	DC-3GHz	1.20:1 max
	DC-6GHz	1.35:1 max
Connector*	N-M/N-F	
Operation Temperature(°C)	-55~+85	
Size(mm)*	160×130×65	
Weight(KG)	2.1	

* Customization is available.

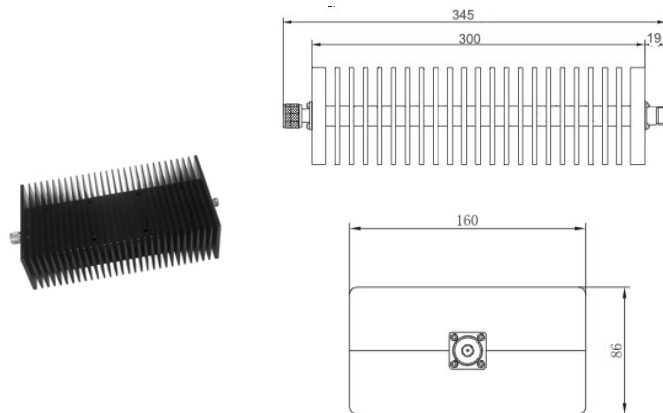
Attenuators

Coaxial



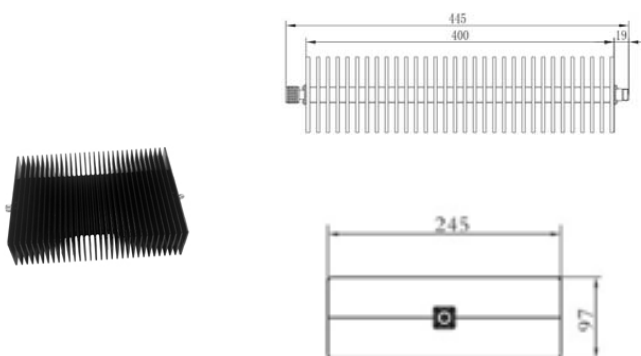
P/N	ACBXX-200SN	
Power(W)	200	
Attenuation(dB)*	1-30	
Accuracy(dB)	1-10dB	±0.6
	11-20dB	±0.8
	21-30dB	±1.0
Frequency(GHz)*	DC-3	
Resistance(Ω)	50	
VSWR	1.20:1 max	
Connector*	N-M/N-F	
Operation Temperature(°C)	-55~+85	
Size(mm)*	230×160×87	
Weight(KG)	4.2	

* Customization is available.



P/N	ACBXX-300SN	
Power(W)	300	
Attenuation(dB)*	1-30	
Accuracy(dB)	1-10dB	±0.6
	11-20dB	±0.8
	21-30dB	±1.0
Frequency(GHz)*	DC-3	
Resistance(Ω)	50	
VSWR	1.20:1 max	
Connector*	N-M/N-F	
Operation Temperature(°C)	-55~+85	
Size(mm)*	300×160×86	
Weight(KG)	5.1	

* Customization is available.



P/N	ACBXX-500SN	
Power(W)	500	
Attenuation(dB)*	1-30	
Accuracy(dB)	1-10dB	±0.6
	11-20dB	±0.8
	21-30dB	±1.0
Frequency(GHz)*	DC-3	
Resistance(Ω)	50	
VSWR	1.25:1 max	
Connector*	N-M/N-F	
Operation Temperature(°C)	-55~+85	
Size(mm)*	400×245×97	
Weight(KG)	7.5	

* Customization is available.