



Features

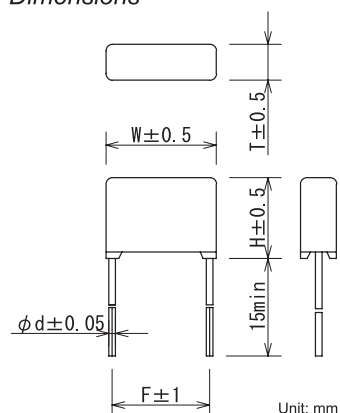
- Best performance series in most popular configurations.
- Dielectric withstand voltage twice safety agency requirement.
- High dv/dt, surge resistance and I/R ratings.
- IEC60384-14II class X1.

Applications

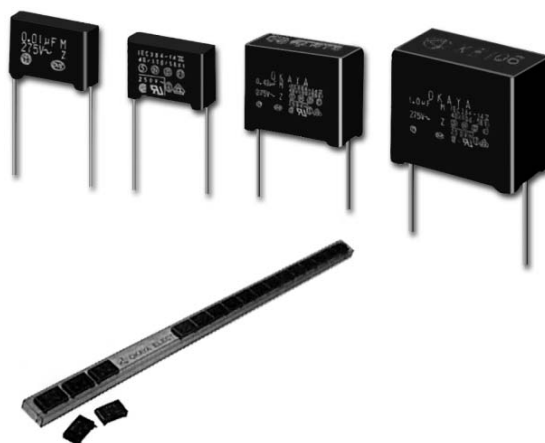
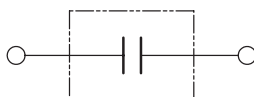
- Designed mainly for suppressing noise occurring in applications, such as DC motors for power tools and power supplies of electrical products.

| Safety Agency : Standard | | File No. |
|--------------------------|---------------------------|--------------------------------------|
| UL | : UL-1414 | 102~105 E47474 |
| CSA | : C22.2 No.0,1 | 102~105 LR37404,LR104926 |
| VDE | : IEC60384-14II, EN132400 | 102~682 89708 |
| | | 102~105 89793,94712 |
| SEMKO | : IEC60384-14II, EN132400 | 102~682 9433161-01 |
| | | 102~105 9538058-01 |
| NEMKO | : IEC60384-14II, EN132400 | 102~682 P95100574 |
| | | 102~105 P95100185,P95103746 |
| DEMKO | : IEC60384-14II, EN132400 | 102~682 303419 |
| | | 102~105 303214,304714 |
| FIMKO | : IEC60384-14II, EN132400 | 102~682 180681-01 |
| | | 102~105 179796-01,186158-01 |
| SEV | : IEC60384-14II, EN132400 | 102~682 94,1 00826,03 |
| | | 102~105 94,1 00826,04, 95,7 71212,01 |
| OVE | : IEC60384-14II, EN132400 | 102~105 5429-211-03 |
| IMQ | : IEC60384-14II, EN132400 | 102~682 4048 |
| | | 102~105 4047 |

Dimensions



Circuit



Electrical Specifications

Rated Voltage **275VAC** (UL, CSA: 250V)

| Safety Agency | Class | Model Number | Capacitance $\mu\text{F} \pm 20\%$ | Dimensions | | | | | Dissipation Factor | Test Voltage | | Insulation Resistance | |
|---------------|-----------------|--------------|------------------------------------|------------|------|-----|--|---|---|---|---|---|---|
| | | | | W | H | T | F | d | | Line to Line | Line to Ground | Line to Line | Line to Ground |
| | X 1 • Y 2 | XE102-Z | 0.001 | 17.0 | 12.5 | 5.5 | 15.0 | 0.8 | 0.01max (at 1kHz) | Line to Line 2000Vrms 50/60Hz 60sec | Line to Ground 2000Vrms 50/60Hz 60sec | Line to Line 15000M Ω min (at 500Vdc) | Line to Ground 100000M Ω min (at 500Vdc) |
| | | XE152-Z | 0.0015 | | | | | | | | | | |
| | | XE222-Z | 0.0022 | | | | | | | | | | |
| | | XE332-Z | 0.0033 | | | | | | | | | | |
| | | XE472-Z | 0.0047 | | | | | | | | | | |
| | | XE682-Z | 0.0068 | | | | | | | | | | |
| | X 1 | XE103-Z | 0.01 | 25.0 | 16.0 | 6.5 | 22.5 | 0.8 | | Line to Line 1250Vrms 50/60Hz 60sec | Line to Ground 2000Vrms 50/60Hz 60sec | Line to Line 15000M Ω min (at 500Vdc) | Line to Ground 100000M Ω min (at 500Vdc) |
| | | XE153-Z | 0.015 | | | | | | | | | | |
| | | XE223-Z | 0.022 | | | | | | | | | | |
| | | XE333-Z | 0.033 | | | | | | | | | | |
| | | XE473-Z | 0.047 | | | | | | | | | | |
| | | XE683-Z | 0.068 | | | | | | | | | | |
| XE104-Z | 0.1 | 30.0 | 22.0 | 11.0 | 27.5 | 1.0 | Line to Line 1250Vrms 50/60Hz 60sec | Line to Ground 2000Vrms 50/60Hz 60sec | Line to Line 15000M Ω min (at 500Vdc) | Line to Ground 100000M Ω min (at 500Vdc) | | | |
| XE154-Z | 0.15 | | | | | | | | | | | | |
| XE224-Z | 0.22 | | | | | | | | | | | | |
| XE334-Z | 0.33 | | | | | | | | | | | | |
| XE474-Z | 0.47 | | | | | | | | | | | | |
| XE684-Z | 0.68 | | | | | | | | | | | | |
| XE105-Z | 1.0 | 36.0 | 30.5 | 20.0 | 32.5 | 1.0 | Line to Line 1250Vrms 50/60Hz 60sec | Line to Ground 2000Vrms 50/60Hz 60sec | Line to Line 15000M Ω min (at 500Vdc) | Line to Ground 100000M Ω min (at 500Vdc) | | | |

Operating Temperature: -40~+100°C