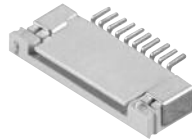
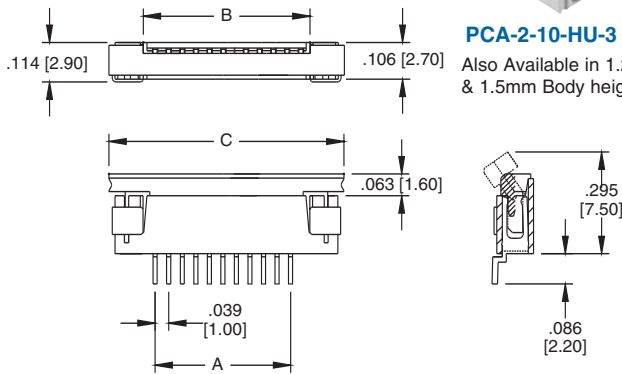


PCA-2
.039" (1.00) SIDE ENTRY SMT

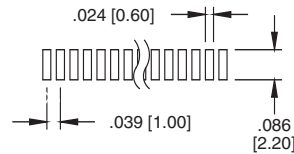


PCA-2-10-HU-3

Also Available in 1.2mm & 1.5mm Body heights

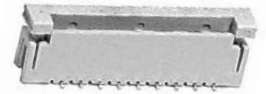


A = .039 [1.00] X No. of Spaces
B = A + .090 [2.30]
C = A + .280 [7.10]

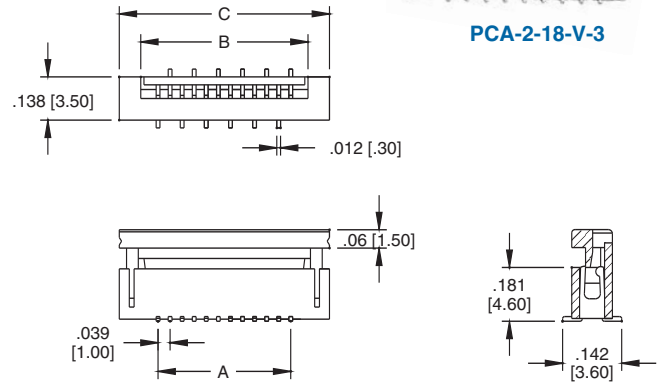


Recommended PCB Layout

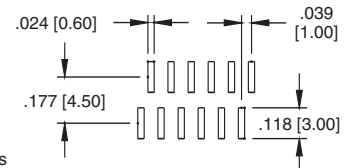
PCA-2
.039" (1.00) TOP ENTRY SMT



PCA-2-18-V-3

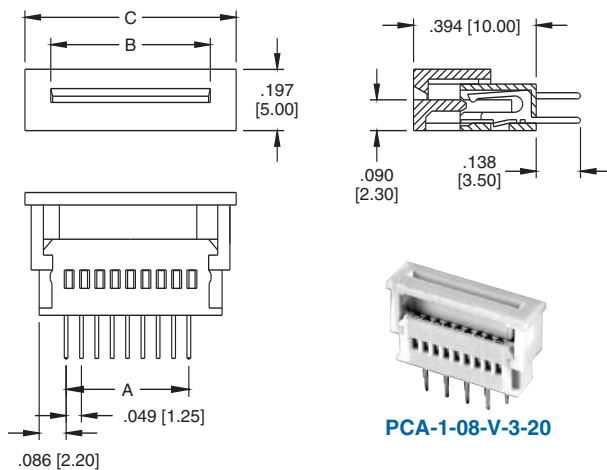


A = .039 [1.00] X No. of Spaces
B = A + .090 [2.30]
C = A + .280 [7.10]



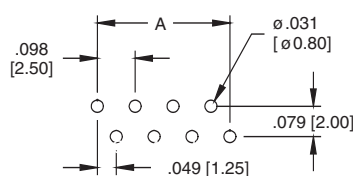
Recommended PCB Layout

PCA-1
.049" (1.25) TOP ENTRY THRU HOLE



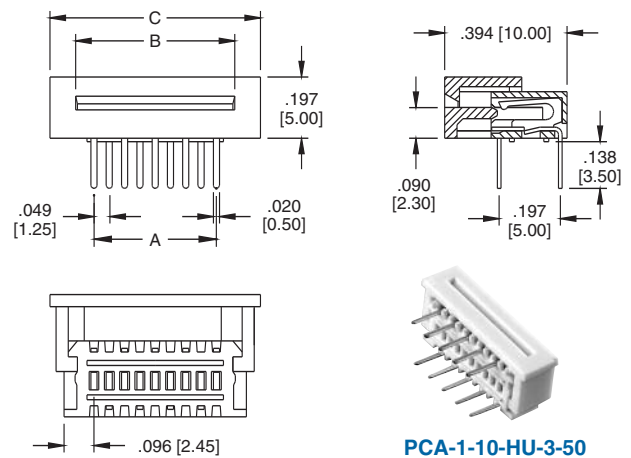
PCA-1-08-V-3-20

A = .049 [1.25] X No. of Spaces
B = A + .106 [2.70]
C = A + .303 [7.70]



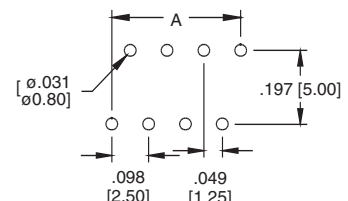
Recommended PCB Layout

PCA-1
.049" (1.25) SIDE ENTRY THRU HOLE



PCA-1-10-HU-3-50

A = .049 [1.25] X No. of Spaces
B = A + .106 [2.70]
C = A + .303 [7.70]



Recommended PCB Layout