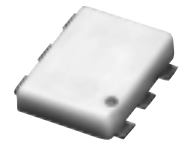


Surface Mount Frequency Mixer

Level 4 (LO Power +4 dBm) 10 to 1000 MHz

NEW!

ADEX-10L



CASE STYLE: CD542
PRICE: \$2.95 ea.
QTY.: (10-49)

Maximum Ratings

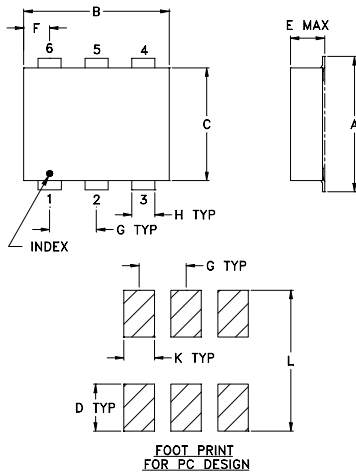
Operating Temperature	-40°C to 85°C
Storage Temperature	-55°C to 100°C
RF Power	50mW
IF Current	40mA

Pin Configuration

LO	6
RF	3
IF	2
GROUND	1,4,5

EVALUATION BOARD P/N: TB-03

Outline Drawing



Outline Dimensions (inch mm)

A	B	C	D	E	F	G	H
.280	.310	.220	.100	.112	.055	.100	.030
7.11	7.87	5.58	2.54	2.84	1.40	2.54	0.76

J	K	L	wt.
—	.065	.300	grams
—	1.65	7.62	.40

Features

- **EX**cellent L-R isolation, 60 dB typ.
- low conversion loss, 7.2 dB typ.
- flat conversion loss ± 0.2 dB typ. over entire band
- good VSWR, 1.5:1 typ. for LO&RF, 1.8:1 typ. for IF
- good performance to 1500 MHz
- solder plated leads for excellent solderability
- low profile package, US Patent 6133525

Applications

- cellular
- PCN

Electrical Specifications

FREQUENCY (MHz)	CONVERSION LOSS* (dB)	LO-RF ISOLATION (dB)			LO-IF ISOLATION (dB)			IP3@ center band Typ. (dBm)	E FACTOR										
		L	M	U	L	M	U												
10-1000	DC-800	7.2	0.1	8.2	8.8	75	55	60	40	47	37	40	26	33	20	24	13	16	1.2

1dB Compr.: +1 dBm typ.
E = $[IP3(dBm) - LO Power(dBm)]/10$
*Conversion loss increases 0.8 dB when IF is above 150 MHz.

L = low range [f_i to $10 f_i$]

M = mid range [$10 f_i$ to $f_i/2$]

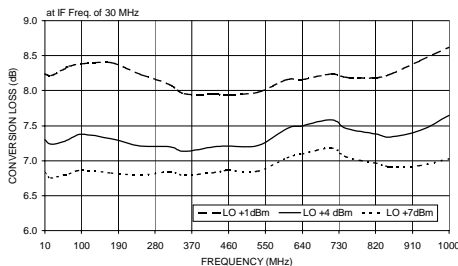
U = upper range [$f_i/2$ to f_i]

m = mid band [$2f_i$ to $f_i/2$]

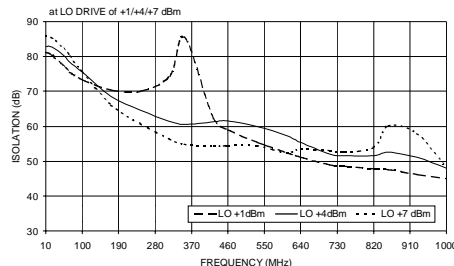
Typical Performance Data

Frequency	Conversion Loss (dB)	Isolation L-R (dB)	Isolation L-I (dB)	VSWR LO port (:1)	VSWR RF port (:1)	
						RF MHz
10.00	40.00	7.30	82.88	58.83	1.18	1.54
25.00	55.00	7.23	82.79	51.06	1.13	1.54
55.00	85.00	7.27	80.30	44.57	1.12	1.53
70.00	100.00	7.31	78.35	42.47	1.14	1.53
100.00	130.00	7.37	75.43	39.36	1.15	1.51
172.00	202.00	7.31	68.52	34.38	1.21	1.48
244.00	274.00	7.21	64.68	31.33	1.25	1.46
316.00	346.00	7.20	61.44	29.83	1.29	1.44
352.00	382.00	7.13	60.51	29.38	1.28	1.43
424.00	454.00	7.19	61.30	28.92	1.28	1.43
460.00	490.00	7.21	61.56	28.63	1.27	1.42
532.00	562.00	7.21	59.88	28.24	1.27	1.39
604.00	634.00	7.46	57.30	27.79	1.29	1.40
640.00	670.00	7.49	55.44	27.54	1.30	1.40
712.00	742.00	7.58	52.02	26.70	1.34	1.40
748.00	778.00	7.46	51.61	25.74	1.38	1.40
820.00	850.00	7.38	51.53	23.84	1.38	1.39
856.00	886.00	7.34	52.51	22.81	1.42	1.39
928.00	958.00	7.43	51.02	21.76	1.48	1.35
1000.00	1030.00	7.65	47.97	21.23	1.57	1.27

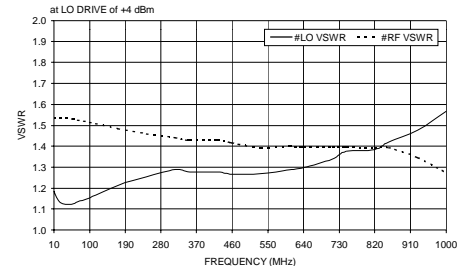
ADEX-10L
CONVERSION LOSS



ADEX-10L
ISOLATION L-R



ADEX-10L
VSWR



Mini-Circuits

INTERNET <http://www.minicircuits.com>

P.O. Box 350166, Brooklyn, New York 11235-0003 (718) 934-4500 Fax (718) 332-4661

Distribution Centers NORTH AMERICA 800-654-7949 • 417-335-5935 • Fax 417-335-5945 • EUROPE 44-1252-832600 • Fax 44-1252-837010

ISO 9001 CERTIFIED

REV. OR
M78421
ED-9623/2
ADEX-10L
DJ/TD/CP
011011