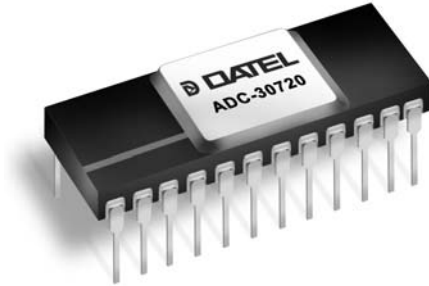


### FEATURES

- 8-bit flash A/D converter
- 20MHz sampling rate
- 10MHz full-power bandwidth
- Sample-hold not required
- Low power CMOS
- +5Vdc operation
- 1.2 Micron CMOS
- 8-Bit latched outputs
- Surface-mount version
- No missing codes



### GENERAL DESCRIPTION

The ADC-30634 and ADC-30720 utilizes an advanced VLSI 1.2 micron CMOS in providing 20MHz sampling rates at 8-bits. The flexibility of the design architecture and process delivers latch-up free operation without external components and operation over the full military range.

The ADC-30634 and ADC-30720 are mechanically and electrically equivalent to the ADC-208LM and ADC-208MM-QL, respectively, with the exception of the OVERFLOW (pin 13) and ENABLE (pins 11 and 12) functions. These functions are not offered on the ADC-30634 and ADC30720.

### INPUT/OUTPUT CONNECTIONS

PIN	FUNCTION	PIN	FUNCTION
1	VDD	24	BIT 8 (LSB)
2	CLOCK INPUT	23	BIT 7
3	-REFERENCE	22	BIT 6
4	ANA/DIG GND (VSS)	21	BIT 5
5	ANALOG INPUT	20	REF 1/4 FS
6	REF MIDPOINT	19	VDD
7	ANALOG INPUT	18	REF 3/4 FS
8	ANA/DIG GND (VSS)	17	BIT 4
9	+REFERENCE	16	BIT 3
10	VDD	15	BIT 2
11	N.C.	14	BIT 1 (MSB)
12	N.C.	13	N.C.

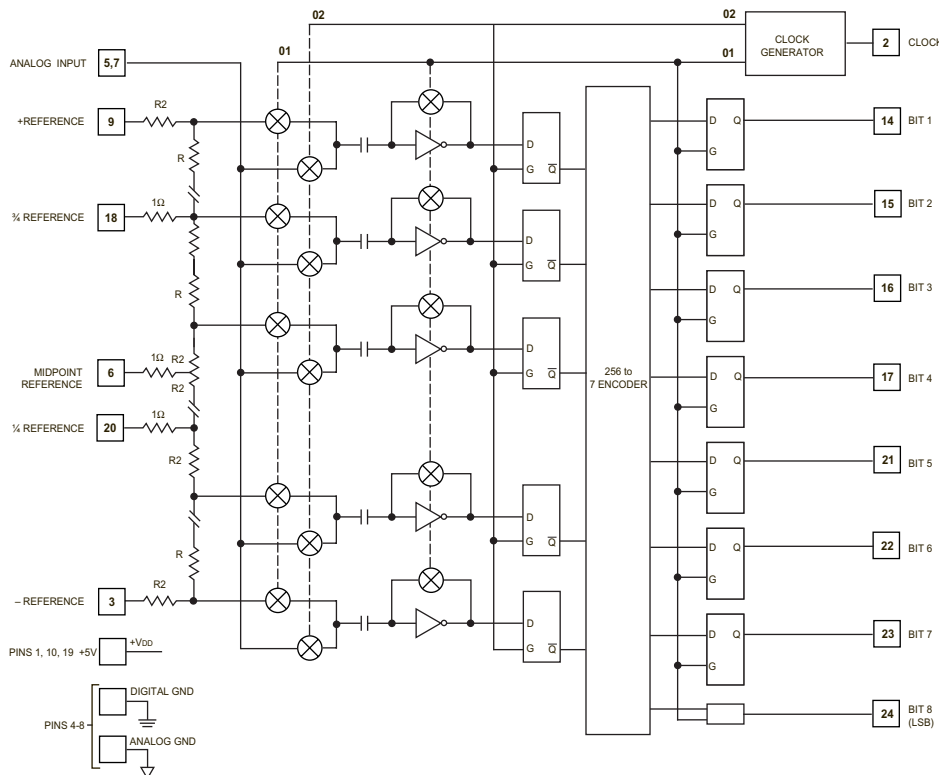


Figure 1. ADC-30634 and ADC-30720 Block Diagram

**ABSOLUTE MAXIMUM RATINGS**

PARAMETERS	LIMITS	UNITS
Power Supply Voltage ( $V_{DD}$ Pin 1, 10, 19)	-0.5 to +7	Volts
Digital Inputs	-0.5 to +5.5	Volts
Analog Input	-0.5 to ( $+V_{DD}+0.5$ )	Volts
Reference Inputs	-0.5 to ( $+V_{DD}+0.5$ )	Volts
Digital Outputs (short circuit protected to ground)	-0.5 to +5.5	Volts
Lead Temperature (10 sec. max.)	+300 max.	°C
Storage Temperature	-65 to +150	°C

**FUNCTIONAL SPECIFICATIONS**

(Typical at +5V power, +25°C, 20MHz clock, +REFERENCE = +5V, -REFERENCE = ground, unless noted)

ANALOG INPUT	MIN.	TYP.	MAX.	UNITS
Single-Ended, Non-Isolated Input Range DC - 20MHz	0	-	+5.0	Volts
Analog Input Capacitance (static - Pin 5 to 7)	-	20	-	pF
(dynamic - Pin 5 to 7)	-	64	-	pF
Reference Ladder Resistance	-	500	-	Ohms
Reference Input (Note 5)	-0.5	-	$V_{DD}+0.5$	Volts

**DIGITAL INPUTS**

Logic Levels	MIN.	TYP.	MAX.	UNITS
Logic "1"	3.2	-	-	Volts
Logic "0"	-	-	0.8	Volts
Logic Loading				
Logic Loading "1"	-	+1	+5	mA
Logic Loading "0"	-	+1	+5	mA
Clock Low Pulse Width	15	25	-	nSec

**DIGITAL OUTPUTS**

Logic Levels	MIN.	TYP.	MAX.	UNITS
Logic "1"	2.4	4.5	5.0	Volts
Logic "0"	-	-	0.4	Volts
Logic Loading				
Logic Loading "1"	4	-	-	mA
Logic Loading "0"	4	-	-	mA
Output Data Valid Delay From Rising Clock Edge				
99% probability	5	10	15	nSec
100% probability				
+25°C	5	10	25	nSec
-55°C to +125°C	-	-	40	nSec
Data Output Resolution	8	-	-	Bits
Data Coding	Straight binary			

**PERFORMANCE**

PARAMETERS	MIN.	TYP.	MAX.	UNITS
Sampling Rate ②	15	20	-	MSPS
Full Power Bandwidth	10	-	-	MHz
Diff. Linearity @ +25°C (See tech note 7)				
Code Transitions	-	±0.5	±1.0	LSB
Center of Codes	-	±0.25	-	LSB
Diff. Linearity Over Temp.				
Code Transitions	-	±0.5	±1.0	LSB
Center of Codes	-	±0.25	-	LSB
Int. Linearity @ +25°C (See tech note 4)(ref. adjusted)				
End-point	-	-	±1/2	LSB
Best-fit Line	-	-	±1/2	LSB
Int. Linearity Over Temp. (ref. adjusted)				
Best-fit Line	-	±1/2	±1	LSB
Int. Linearity @ +25°C (ref. unadjusted)				
End-point	-	±2	±2.5	LSB
Best-fit Line	-	±1.6	±1.9	LSB

PERFORMANCE	MIN.	TYP.	MAX.	UNITS
Int. Linearity Over Temp. (ref. unadjusted)				
End-point	-	±2.3	±2.6	LSB
Best-fit Line	-	±1.8	±2.0	LSB
Zero-Scale Offset (Code "0" to "1" transition)	-	±2.5	±4	LSB
Gain error, @ +25°C				
Over Temperature	-	±1.5	±2.5	LSB
Differential Gain ③	-	2	-	%
Differential Phase ③	-	1.1	-	degrees
Aperture Delay	-	8	-	ns
Aperture Jitter	-	50	-	ps
Harmonic Distortion (8MHz second order harm.)	-40	-46	-	dB
Ref. bandwidth (See tech note 5)	-	10	-	MHz
Power Supply Rejection	-	±0.02	±0.05	%FSR/ΔVs
No Missing Codes	Over the operating temperature range			

**POWER REQUIREMENTS**

Power Supply Range ( $+V_{DD}$ )	MIN.	TYP.	MAX.	UNITS
Power Supply Current				
+25°C	-	+120	+160	mA
+125°C	-	+100	+125	mA
-55°C	-	+135	+175	mA
Power Dissipation				
+25°C	-	660	880	mW
+125°C	-	550	690	mW
-55°C	-	745	965	mW

**PHYSICAL ENVIRONMENTAL**

Operating Temp. Range, Case: MM/LM/QL Versions	MIN.	TYP.	MAX.	UNITS
Storage Temp. Range	-55	-	+125	°C
Package Type	-65	-	+150	°C
DIP	24-pin ceramic DIP			
LCC	24-pin ceramic LCC			

**Footnotes:**

- ① Maximum input impedance is a function of clock frequency.
- ② At full-power input.
- ③ For 10-step, 40 IRE NTSC ramp test.

**TECHNICAL NOTES**

1. The Reference ladder is floating with respect to VDD and may be referenced anywhere within the specified limits. AC modulation of the reference voltage may also be utilized; contact DATEL for further information.
2. Clock Pulse Width – To improve performance when input signals may exceed Nyquist bandwidths, the clock duty cycle can be adjusted so that the low portion (sample mode) of the clock pulse is 15nSec wide. Reducing the sampling time period minimizes the amount the input voltage slews and prevents the comparators from saturating.
3. A full-scale input produces all "1" on the data outputs.
4. DATEL uses the conservative definitions when specifying Intergal Linearity (end-point) and Differential Linearity (code transition). The specifications using the less conservative definition have also been provided as a comparative specification for products specified this way.

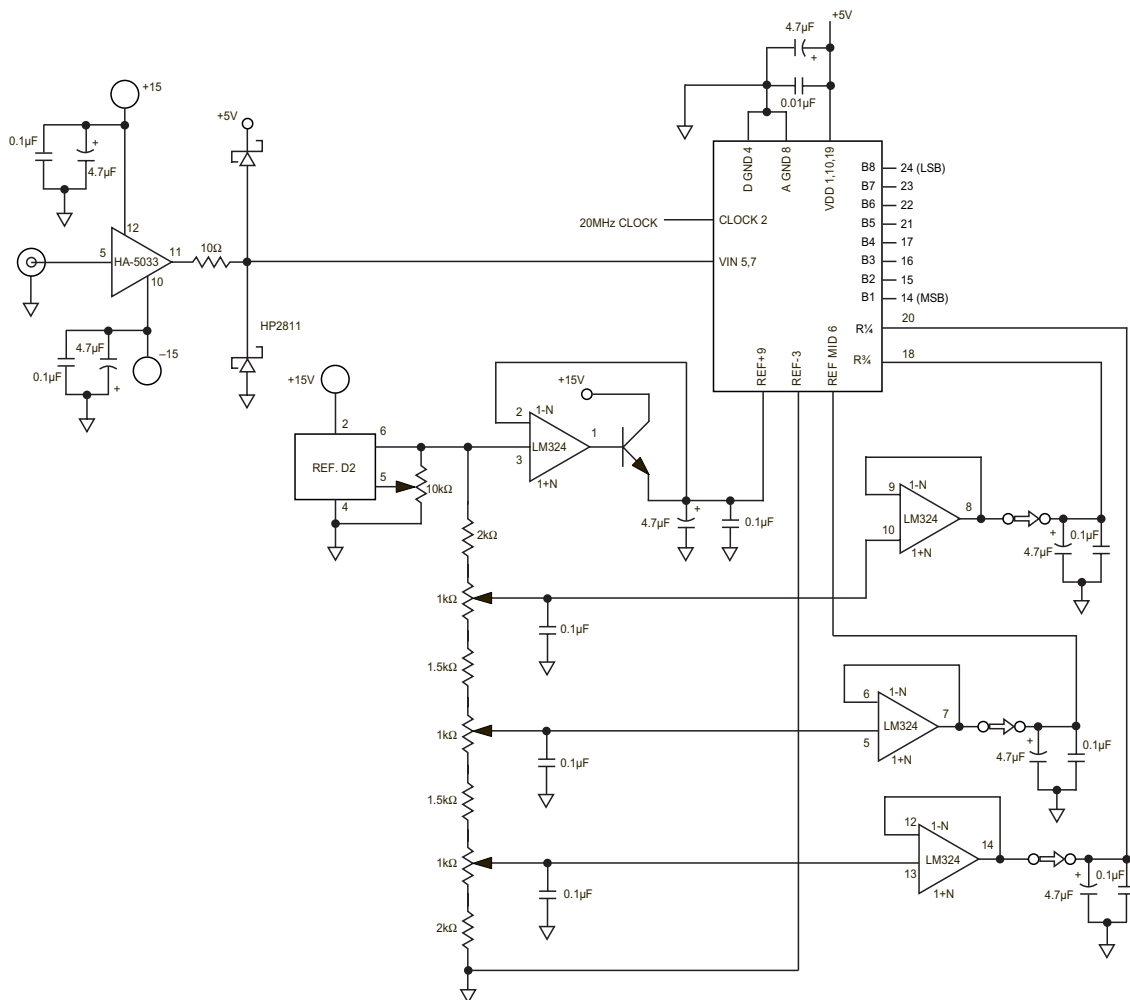
5. The process that is used to fabricate the ADC-30634/30720 eliminates the latchup phenomena that has plagued CMOS devices in the past. These converters do not require external protection diodes.
6. For clock rates less than 100kHz, there may be some degradation in offset and differential nonlinearity. Performance may be improved by increasing the clock duty cycle (decreasing the time spent in the sample mode).
7. Connect the converter appropriately; a typical connection circuit is shown in Figure 2. Then apply an appropriate clock input. The reference input should be held to  $\pm 0.1\%$  accuracy or better. Do not use the +5V power supply as a reference without precision regulation and high-frequency decoupling capacitors.
8. Zero Adjustment - Adjusting the voltage at -REFERENCE (pin 3) adjusts the offset or zero of the device. Pin 3 can be tied to GROUND for operation without adjustments
9. Full Scale Adjustment - Adjusting the voltage at +REFERENCE (pin 9) adjusts the gain of the device. Pin 9 can be tied directly to a +5V reference for operation without adjustment.

**Table 1. ADC-30634/ADC-30720 Output Code**

ANALOG INPUT	CODE	DATA 1234	DATA 5678	DECIMAL	HEX
0.00V	Zero 0000	0000	0000	0	00
+0.02V	+1 LSB	0000	0001	1	01
+1.28V	+ $\frac{1}{4}$ FS	0100	0000	64	40
+2.54V	+ $\frac{1}{2}$ FS-ILSB	0111	1111	127	7F
+2.56V	+ $\frac{1}{2}$ FS	1000	0000	128	80
+2.58V	+ $\frac{1}{2}$ FS+ILSB	1000	0001	129	81
+3.84V	+ $\frac{3}{4}$ FS	1100	0000	192	C0
+5.10V	+FS	1111	1111	255	FF

**Note:**  
 Values shown here are for a +5.12Vdc reference. Scale other references proportionally. (+REF=+5.12V, -REF=GND,  $\frac{1}{4}$ ,  $\frac{1}{2}$ , and  $\frac{3}{4}$  References FS=No Connection)

10. Integral Nonlinearity Adjustments - Provision is made for optional adjustment of Integral Nonlinearity through access of the reference's  $\frac{1}{4}$ ,  $\frac{1}{2}$ , and  $\frac{3}{4}$  full scale points. For example, the REF. MIDPOINT (pin 6) can be tied to a precision voltage halfway between +REFERENCE and -REFERENCE. Pins 6, 18 and 20 should be bypassed to GROUND through 0.1 $\mu$ F capacitors for operation without INL adjustments



**Figure 2. ADC-30634 and ADC-30720 Typical Connection Diagram**

MECHANICAL DIMENSIONS

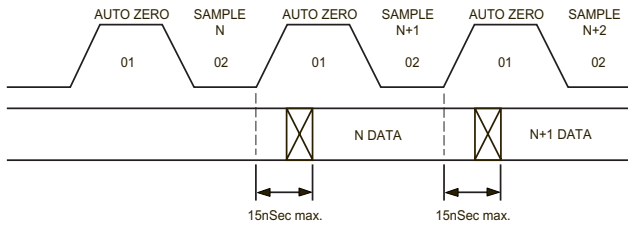
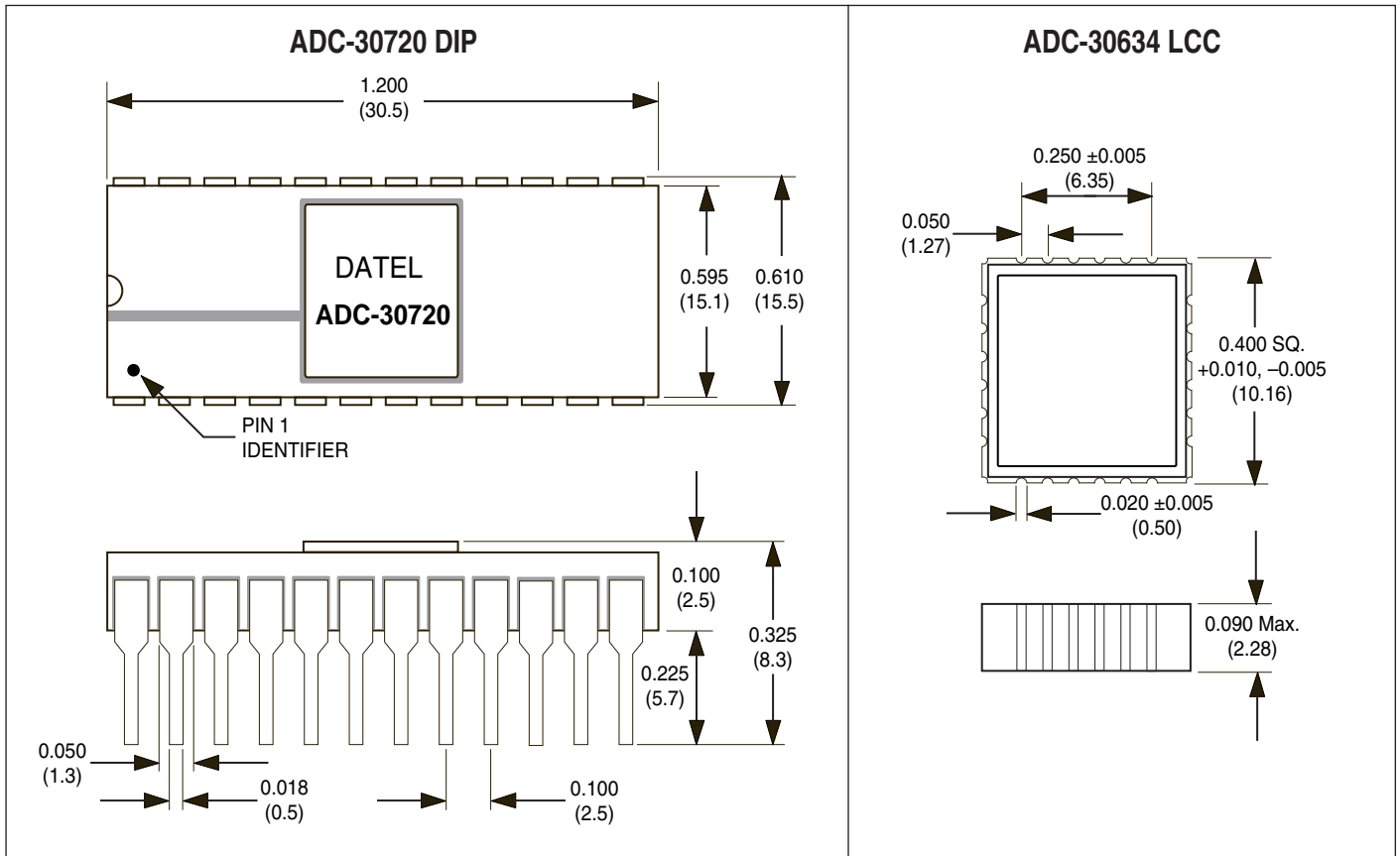


Figure 3 Timing Diagram

ORDERING INFORMATION

MODEL	TEMP. RANGE	PACKAGE
ADC-30720	-55°C to +125°C ①	24-pin DIP
ADC-30634	-55°C to +125°C ②	24-pin LCC

- ① The ADC-30720 replaces the ADC-208MM-QL and includes DATEL QL High-Reliability Screening.
- ② The ADC-30634 replaces the ADC-208LM. Contact DATEL for availability of the other equivalent ADC-208 versions.