



# TMX W371

SAW Bandpass Filter – Home & Building - RF  
Preliminary Specification (Rev 1)

---

▣ Features.....	P01
▣ Package Drawing & Pin out.....	P01
▣ Technical Characteristics .....	P02
▣ Matching Network .....	P02
▣ Nominal Response.....	P03
▣ Maximum Ratings.....	P04
▣ Marking & Packaging .....	P04

# TMX W371

## SAW Bandpass Filter – Home & Building - RF

Preliminary Specification (Rev.1)- RF

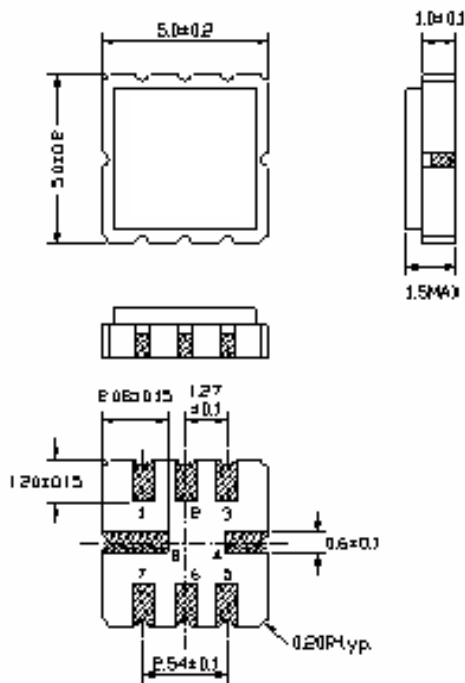
January 09<sup>th</sup>, 2006

### Features

- ❑ RFSAW Filter for Home & Building
- ❑ 319.5 MHz Center Frequency
- ❑ 500 kHz useable Passband
- ❑ 50 Ohms Single Configuration with external matching
- ❑ Ceramic package for Surface Mounted Technology

### Package Drawing & Pin out

The product is in conformance with the European RoHs Regulation 2002/95.



#### Pin Configuration

Input	1
Input Ground	2
Output	5
Output Ground	6
Ground	3, 7
Case ground	4, 8

# TMX W371

## SAW Bandpass Filter – Home & Building - RF

Preliminary Specification (Rev.1)- RF

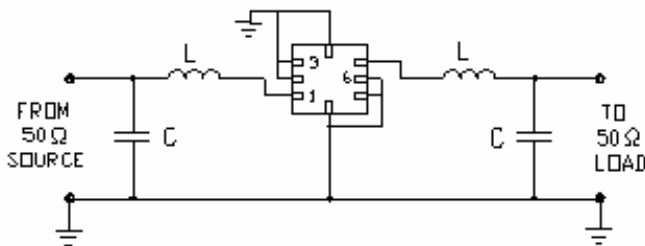
January 09<sup>th</sup>, 2006

### Technical Characteristics

Reference Temperature : +25°C

Electrical Parameters	Unit	Minimum	Typical <sup>(1)</sup>	Maximum
Source Impedance (single)	Ohms	-	50	-
Load Impedance (single)	Ohms	-	50	-
Center Frequency $f_c$	MHz	319,42	319,5	319,58
Bandwidth	kHz	500	-	800
<b>Absolute Attenuation</b>				
at $f_o - 21.4$ MHz	dB	40	50	-
at $f_o - 10.7$ MHz	dB	15	45	-
Ultimate	dB	30	80	-
Insertion Loss	dB	-	1.7	3.0
Frequency Aging	ppm/yr	-	< $\pm$ 10	-

### Matching Network



Typ. Values: C = 5.6pF & L = 68nH

# TMX W371

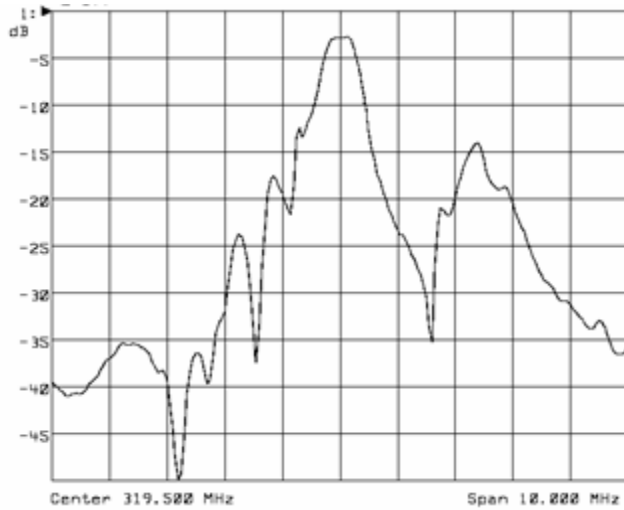
## SAW Bandpass Filter – Home & Building - RF

Preliminary Specification (Rev.1)- RF

January 09<sup>th</sup>, 2006

### Nominal Frequency Response (Measurements)

Frequency Response



# TMX W371

## SAW Bandpass Filter – Home & Building - RF

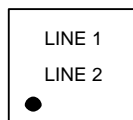
Preliminary Specification (Rev.1)- RF

January 09<sup>th</sup>, 2006

### Maximum Ratings

Storage Temperature Range	°C	[-40°C ; +85°C]
Operable temperature Range	°C	[-30°C ; +50°C]
AC Voltage	V	10 (50 ~ 60Hz)
DC voltage	V	10
Input Power	dBm	0

### Marking

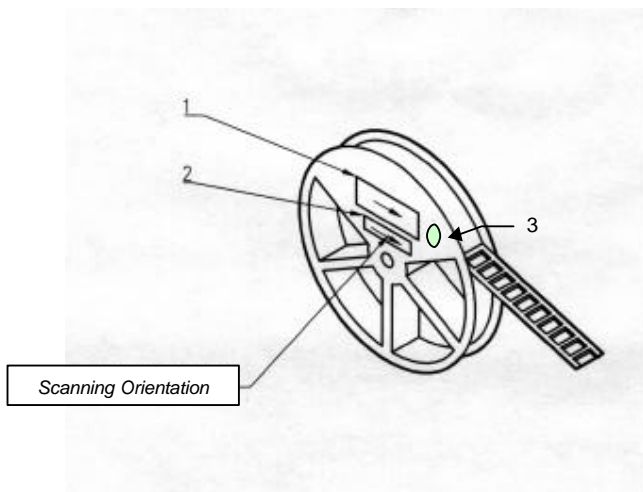


Line 1: "NNNN" is the reference to Temex Part number with only the last 4 digits

Line 2: RYWWZZ is the date code as:

- R: Partner identifier.
- Y: last digit of the year.
- WW: number of week in the year
- ZZ: Lot number in the week (from AA to ZZ).

### Packaging



- 1 – Temex Label
- 2 – ESD Prevention Label
- 3 – Pb Free Label