



TMX W369

SAW Bandpass Filter – Home & Building - RF
Tentative Specification (Rev 2)

▣ Features.....	P01
▣ Package Drawing & Pin out.....	P01
▣ Technical Characteristics	P02
▣ Matching Network	P02
▣ Nominal Response.....	P03
▣ Maximum Ratings.....	P04
▣ Marking & Packaging	P04

TMX W369

SAW Bandpass Filter – Home & Building - RF

Tentative Specification (Rev.2)- RF

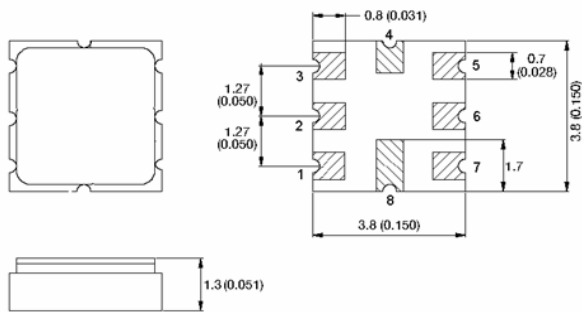
January 09th, 2006

Features

- ❑ RFSAW Filter for Remote Control
- ❑ 916.05 MHz Center Frequency
- ❑ 0.9 MHz useable Passband
- ❑ 50 Ohms Single Configuration with external matching
- ❑ Ceramic package for Surface Mounted Technology

Package Drawing & Pin out

The product is in conformance with the European RoHs Regulation 2002/95.



Pin Configuration	
Input	2
Input Ground	1, 3
Output	5, 7
Output Ground	6
Case ground	4, 8

TMX W369

SAW Bandpass Filter – Home & Building - RF

Tentative Specification (Rev.2)- RF

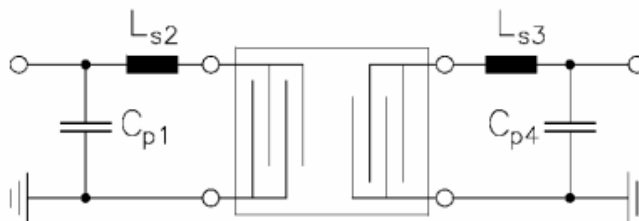
January 09th, 2006

Technical Characteristics

Reference Temperature : +25°C

Electrical Parameters	Unit	Minimum	Typical ⁽¹⁾	Maximum
Source Impedance (single)	Ohms	-	50	-
Load Impedance (single)	Ohms	-	50	-
Center Frequency f_c	MHz	-	916.05	-
Bandwidth	dB	-	1.2	1.5
Absolute Attenuation				
at $f_o - 21.4$ MHz	dB	33	40	-
at $f_o - 10.7$ MHz	dB	15	30	-
Ultimate	dB	-	60	-
Insertion Loss	dB	-	4.5	5.3
Temperature Stability				
Turnover Temperature	°C	15	25	40
Turnover Frequency	MHz	-	f_o	-
Frequency Temperature Coefficient	ppm/°C ²	-	0.032	-
Frequency Aging Absolute Value during the first year	ppm/yr	-	<±10	-

Matching Network



TMX W369

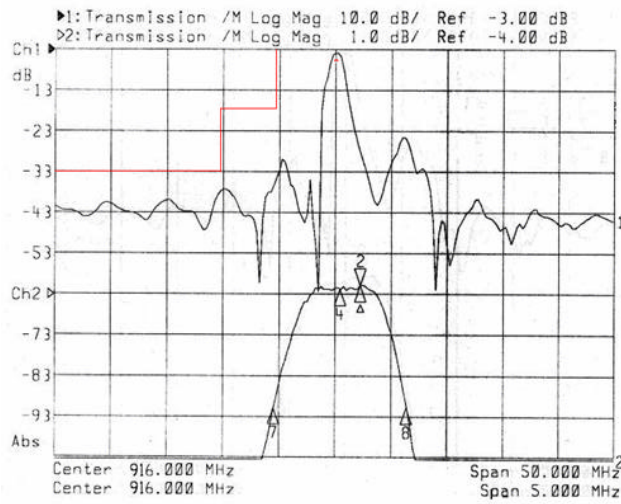
SAW Bandpass Filter – Home & Building - RF

Tentative Specification (Rev.2)- RF

January 09th, 2006

Nominal Frequency Response (simulation)

Frequency Response



TMX W369

SAW Bandpass Filter – Home & Building - RF

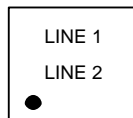
Tentative Specification (Rev.2)- RF

January 09th, 2006

Maximum Ratings

Storage Temperature Range	°C	[-40°C ; +85°C]
Operable temperature Range	°C	[-20°C ; +60°C]
DC voltage	V	10
Input Power	dBm	13

Marking

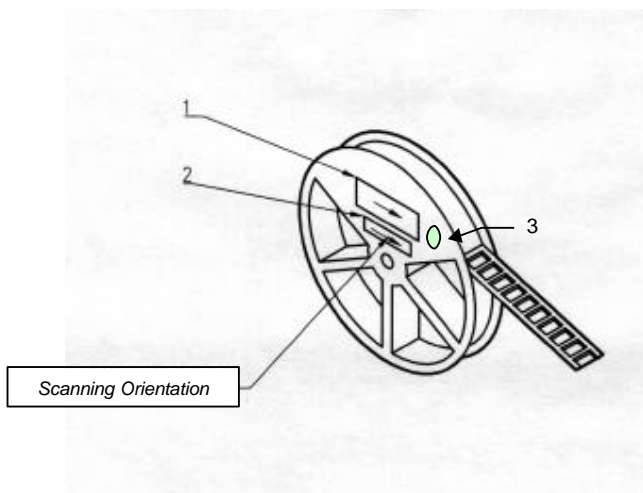


Line 1: "NNNN" is the reference to Temex Part number with only the last 4 digits

Line 2: RYWWZZ is the date code as:

- R: Partner identifier.
- Y: last digit of the year.
- WW: number of week in the year
- ZZ: Lot number in the week (from AA to ZZ).

Packaging



- 1 – Temex Label
- 2 – ESD Prevention Label
- 3 – Pb Free Label