



TMX W356

SAW Bandpass Filter – LMR - RF
Specification (Rev 1)

▣ Features.....	P01
▣ Package Drawing & Pin out.....	P01
▣ Technical Characteristics	P02
▣ Matching Network	P02
▣ Nominal Response.....	P03
▣ Maximum Ratings.....	P04
▣ Marking & Packaging	P04

TMX W356

SAW Bandpass Filter – LMR - RF

Specification (Rev.1)- RF

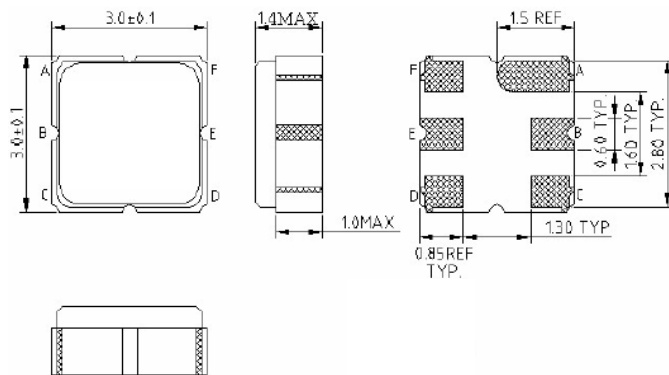
September 25th, 2005

Features

- ❑ RFSAW Filter for Land Mobile Radio
- ❑ 815.5 MHz Center Frequency
- ❑ 19 MHz useable Passband
- ❑ 50 Ohms Single Configuration
- ❑ Ceramic package for Surface Mounted Technology

Package Drawing & Pin out

The product is in conformance with the European RoHs Regulation 2002/95.



Pin Configuration

Input	B
Output	E
Case ground	A, C, D, F

TMX W356

SAW Bandpass Filter – LMR - RF

Specification (Rev.1)- RF

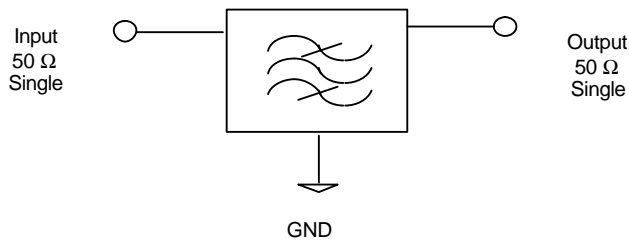
September 25th, 2005

Technical Characteristics

Reference Temperature : +25°C

Electrical Parameters	Unit	Minimum	Typical ⁽¹⁾	Maximum
Source Impedance (single)	Ohms	-	50	-
Load Impedance (single)	Ohms	-	50	-
Center Frequency f_c	MHz	-	815.5	-
Bandwidth at -3dB	MHz	19	-	-
Absolute Attenuation				
851 MHz to 866 MHz	dB	40	46	-
935 MHz to 940 MHz	dB	35	68	-
960.65 MHz to 979.65 MHz	dB	35	65	-
1115.3 MHz to 1134.3 MHz	dB	37	64	-
1269.95 MHz to 1288.95 MHz	dB	40	62	-
1612 MHz to 1650 MHz	dB	35	68	-
1650 MHz to 2600 MHz	dB	25	38	-
Insertion Loss within 806 MHz – 825 MHz	dB	-	2.6	3.5
Group Delay ripple within 806 MHz – 825 MHz	ns	-	18	50
Input / Output VSWR within 806 MHz – 825 MHz		-	1.7	2.0

Matching Network



TMX W356

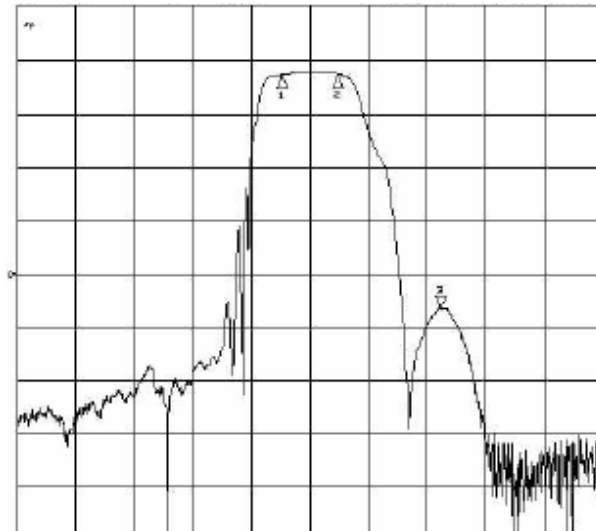
SAW Bandpass Filter – LMR - RF

Specification (Rev.1)- RF

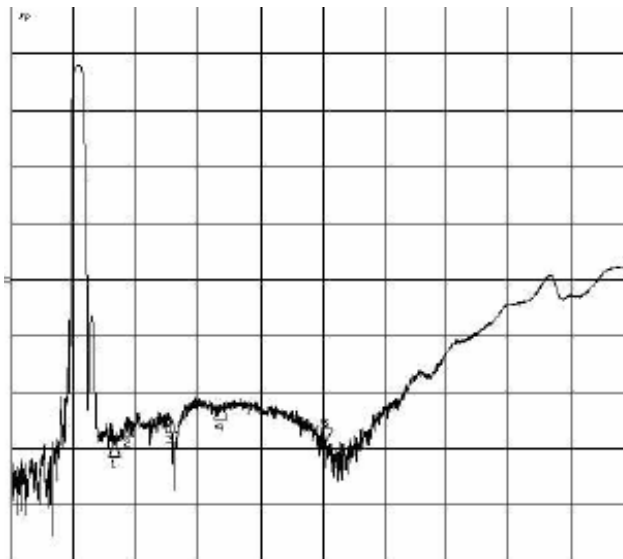
September 25th, 2005

Nominal Frequency Response (Measurements)

Frequency Response



Frequency Response



TMX W356

SAW Bandpass Filter – LMR - RF

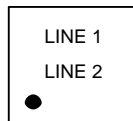
Specification (Rev.1)- RF

September 25th, 2005

Maximum Ratings

Storage Temperature Range	°C	[-40°C ; +85°C]
Operating temperature	°C	[-30°C ; +70°C]
DC voltage	V	3
Input Power	dBm	7

Marking

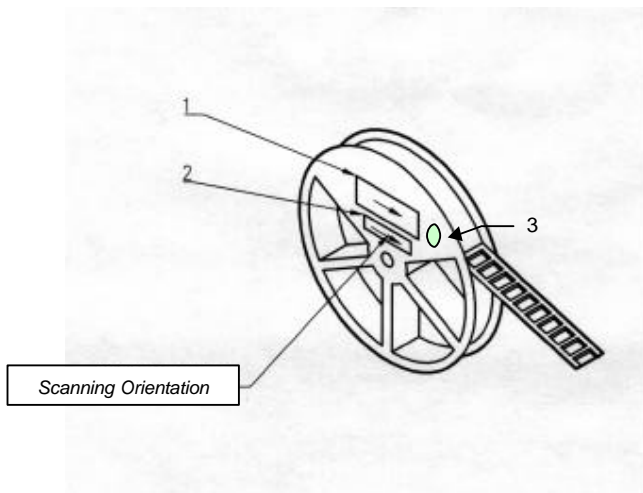


Line 1: "NNNN" is the reference to Temex Part number with only the last 4 digits

Line 2: RYWWZZ is the date code as:

- R: Partner identifier.
- Y: last digit of the year.
- WW: number of week in the year
- ZZ: Lot number in the week (from AA to ZZ).

Packaging



- 1 – Temex Label
- 2 – ESD Prevention Label
- 3 – Pb Free Label