



TMX W353

SAW Bandpass Filter – Bluetooth - RF
Specification (Rev 1)

▣ Features.....	P01
▣ Package Drawing & Pin out.....	P01
▣ Technical Characteristics	P02
▣ Matching Network	P02
▣ Nominal Response.....	P03
▣ Maximum Ratings.....	P04
▣ Marking & Packaging	P04

TMX W353

SAW Bandpass Filter – Bluetooth - RF

Specification (Rev. 1)- RF

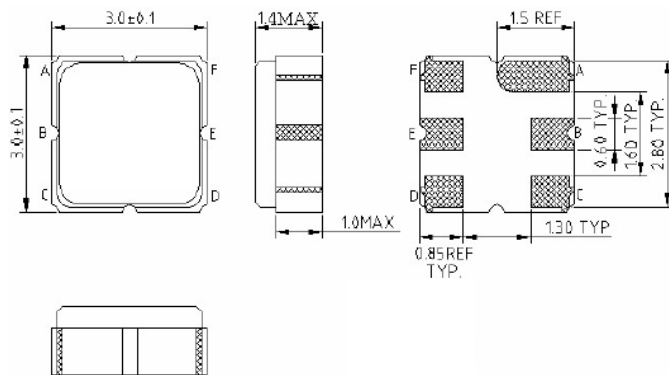
September 25th, 2005

Features

- ❑ RFSAW Filter for Bluetooth
- ❑ 2441.8 MHz Center Frequency
- ❑ 83.5 MHz useable Passband
- ❑ 50 Ohms Single Configuration
- ❑ Ceramic package for Surface Mounted Technology

Package Drawing & Pin out

The product is in conformance with the European RoHs Regulation 2002/95.



Pin Configuration

Input	B
Output	E
Case ground	A, C, D, F

TMX W353

SAW Bandpass Filter – Bluetooth - RF

Specification (Rev.1)- RF

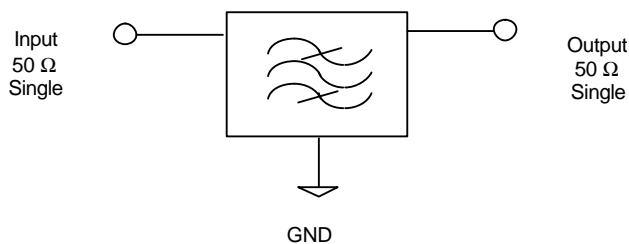
September 25th, 2005

Technical Characteristics

Reference Temperature : +25°C

Electrical Parameters	Unit	Minimum	Typical ⁽¹⁾	Maximum
Source Impedance (single)	Ohms	-	50	-
Load Impedance (single)	Ohms	-	50	-
Center Frequency f_c	MHz	-	2441.8	-
Bandwidth at -3dB	MHz	83.5	-	-
Absolute Attenuation				
10 MHz to 1700 MHz	dB	20	29	-
1700 MHz to 2200 MHz	dB	25	30	-
2700 MHz to 3100 MHz	dB	30	40	-
3100 MHz to 4000 MHz	dB	20	29	-
4000 MHz to 5000 MHz	dB	10	20	-
Insertion Loss within 2400 MHz – 2483.5 MHz	dB	-	2.1	5.0
Amplitude ripple within 2400 MHz – 2483.5 MHz	dB	-	0.9	3.0
Input/Output VSWR within 2400 MHz–2483.5 MHz		-	1.7	2.6

Matching Network



TMX W353

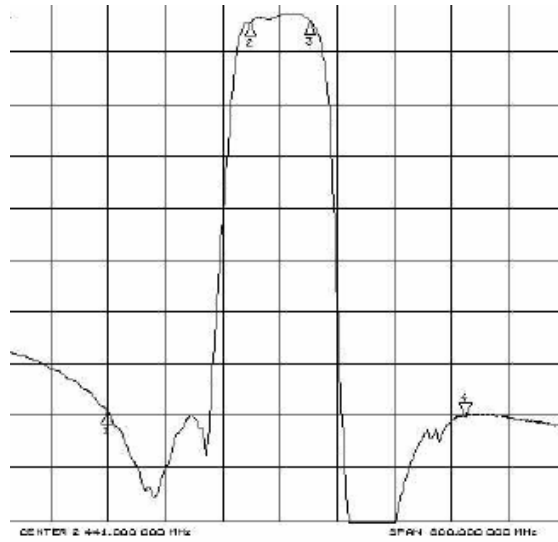
SAW Bandpass Filter – Bluetooth - RF

Specification (Rev.1)- RF

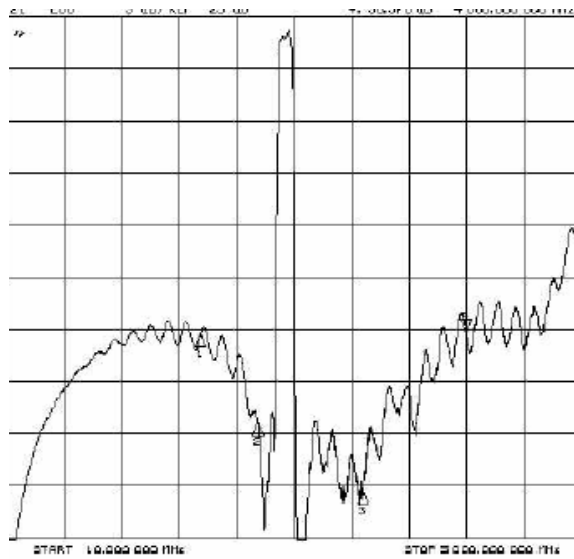
September 25th, 2005

Nominal Frequency Response (Measurements)

Frequency Response



Frequency Response



TMX W353

SAW Bandpass Filter – Bluetooth - RF

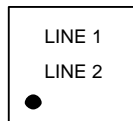
Specification (Rev.1)- RF

September 25th, 2005

Maximum Ratings

Storage Temperature Range	°C	[-40°C ; +85°C]
Operating temperature	°C	[-40°C ; +85°C]
DC voltage	V	0
Input Power	dBm	10

Marking

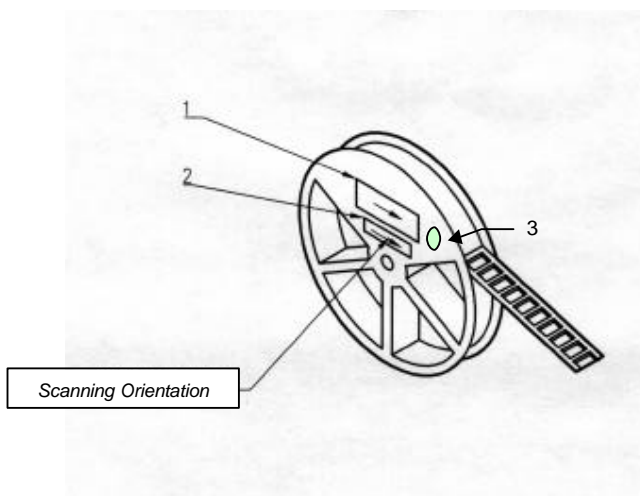


Line 1: "NNNN" is the reference to Temex Part number with only the last 4 digits

Line 2: RYWWZZ is the date code as:

- R: Partner identifier.
- Y: last digit of the year.
- WW: number of week in the year
- ZZ: Lot number in the week (from AA to ZZ).

Packaging



- 1 – Temex Label
- 2 – ESD Prevention Label
- 3 – Pb Free Label