



# TMX W350

SAW Bandpass Filter – K-PCS Tx - RF  
Specification (Rev 1)

▣ Features.....	P01
▣ Package Drawing & Pin out.....	P01
▣ Technical Characteristics .....	P02
▣ Matching Network .....	P02
▣ Nominal Response.....	P03
▣ Maximum Ratings.....	P04
▣ Marking & Packaging .....	P04

# TMX W350

## SAW Bandpass Filter – K-PCS Tx - RF

Specification (Rev.1)- RF

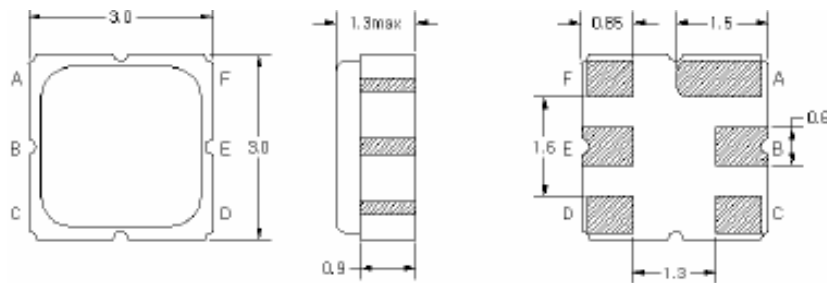
September 25<sup>th</sup>, 2005

### Features

- ❑ Tx SAW Filter for K-PCS
- ❑ 1765 MHz Center Frequency
- ❑ 30 MHz useable Passband
- ❑ 50 Ohms Single Configuration
- ❑ Ceramic package for Surface Mounted Technology

### Package Drawing & Pin out

The product is in conformance with the European RoHs Regulation 2002/95.



Pin Configuration	
Input	B
Output	E
Case ground	A, C, D, F

# TMX W350

## SAW Bandpass Filter – K-PCS Tx - RF

Specification (Rev.1)- RF

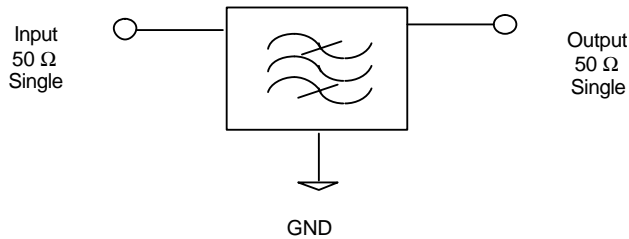
September 25<sup>th</sup>, 2005

### Technical Characteristics

Reference Temperature : +25°C

Electrical Parameters	Unit	Minimum	Typical <sup>(1)</sup>	Maximum
Source Impedance (single)	Ohms	-	50	-
Load Impedance (single)	Ohms	-	50	-
Center Frequency $f_c$	MHz	-	1765	-
Bandwidth at -3dB	MHz	30	-	-
<b>Absolute Attenuation</b>				
1350 MHz to 1380 MHz	dB	35	40	-
1660 MHz to 1690 MHz	dB	35	40	-
1840 MHz to 1870 MHz	dB	40	45	-
2150 MHz to 2180 MHz	dB	40	50	-
Insertion Loss within 1750 MHz – 1780 MHz	dB	-	2.4	3.2
Amplitude ripple within 1750 MHz – 1780 MHz	dB	-	1.0	1.5
Input/Output VSWR within 1750 MHz – 1780 MHz		-	1.6	2.0

### Matching Network



# TMX W350

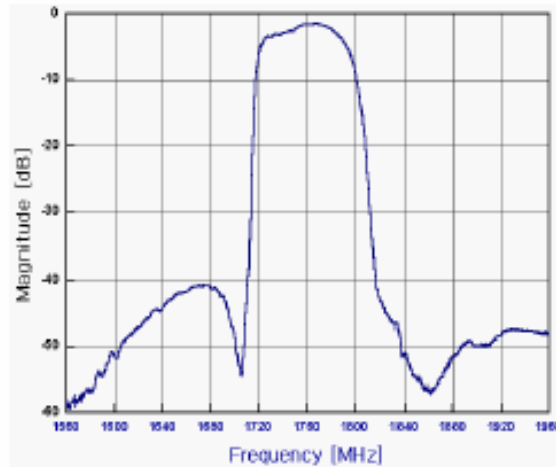
## SAW Bandpass Filter – K-PCS Tx - RF

Specification (Rev.1)- RF

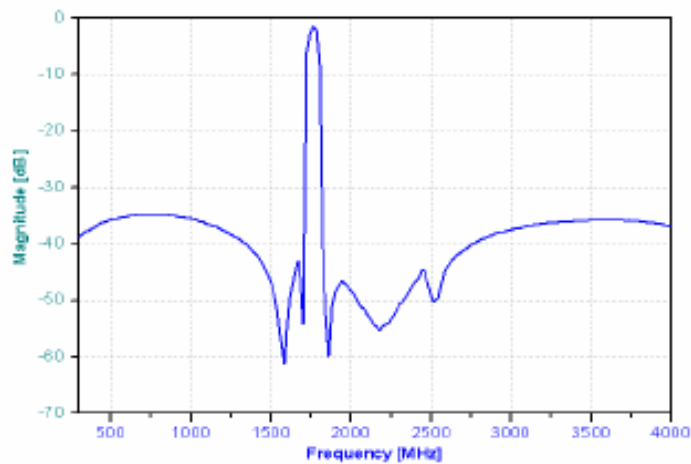
September 25<sup>th</sup>, 2005

### Nominal Frequency Response (Measurements)

Frequency Response



Frequency Response



# TMX W350

## SAW Bandpass Filter – K-PCS Tx - RF

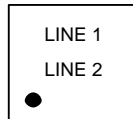
Specification (Rev.1)- RF

September 25<sup>th</sup>, 2005

### Maximum Ratings

Storage Temperature Range	°C	[-30°C ; +85°C]
Operating temperature	°C	[-40°C ; +85°C]
DC voltage	V	7
Input Power	dBm	15

### Marking

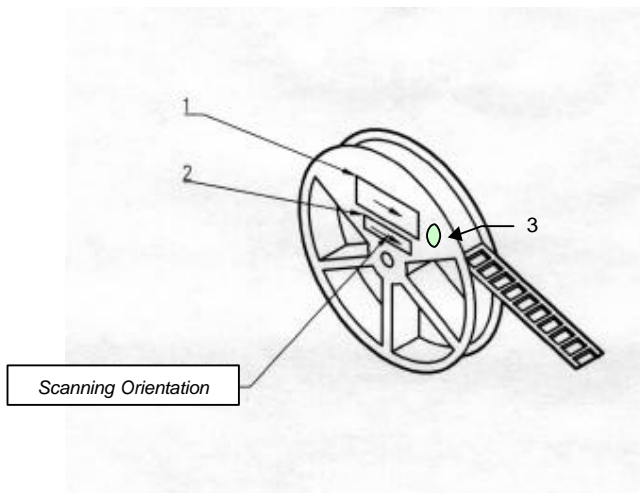


Line 1: "NNNN" is the reference to Temex Part number with only the last 4 digits

Line 2: RYWWZZ is the date code as:

- R: Partner identifier.
- Y: last digit of the year.
- WW: number of week in the year
- ZZ: Lot number in the week (from AA to ZZ).

### Packaging



- 1 – Temex Label
- 2 – ESD Prevention Label
- 3 – Pb Free Label