



TMX W347

SAW Bandpass Filter – GPS - RF
Specification (Rev 1)

| | |
|-----------------------------------|-----|
| ▣ Features..... | P01 |
| ▣ Package Drawing & Pin out..... | P01 |
| ▣ Technical Characteristics | P02 |
| ▣ Matching Network | P02 |
| ▣ Nominal Response..... | P03 |
| ▣ Maximum Ratings..... | P04 |
| ▣ Marking & Packaging | P04 |

TMX W347

SAW Bandpass Filter – GPS - RF

Specification (Rev.1)- RF

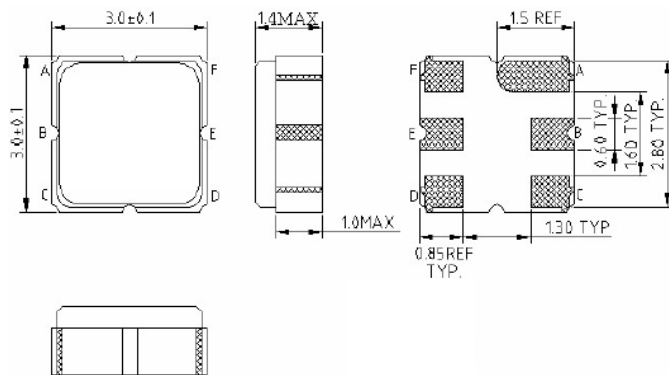
September 25th, 2005

Features

- ❑ SAW Filter for GPS
- ❑ 1575.42 MHz Center Frequency
- ❑ 2 MHz useable Passband
- ❑ 50 Ohms Single Configuration
- ❑ Ceramic package for Surface Mounted Technology

Package Drawing & Pin out

The product is in conformance with the European RoHs Regulation 2002/95.



Pin Configuration

| | |
|-------------|------------|
| Input | B |
| Output | E |
| Case ground | A, C, D, F |

TMX W347

SAW Bandpass Filter – GPS - RF

Specification (Rev.1)- RF

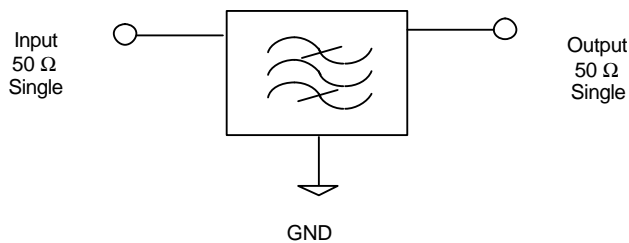
September 25th, 2005

Technical Characteristics

Reference Temperature : +25°C

| Electrical Parameters | Unit | Minimum | Typical ⁽¹⁾ | Maximum |
|---|------|---------|------------------------|---------|
| Source Impedance (single) | Ohms | - | 50 | - |
| Load Impedance (single) | Ohms | - | 50 | - |
| Center Frequency f_c | MHz | - | 1575.42 | - |
| Bandwidth at -3dB | MHz | 2 | - | - |
| Absolute Attenuation | | | | |
| at 1475.42 MHz | dB | 35 | 42 | - |
| at 1535.42 MHz | dB | 30 | 44 | - |
| at 1615.42 MHz | dB | 30 | 55 | - |
| at 1675.42 MHz | dB | 40 | 48 | - |
| Insertion Loss within 1574.42 MHz – 1576.42 MHz | dB | - | 2.6 | 3.5 |
| Amplitude ripple within 1574.42MHz–1576.42MHz | dB | - | 0.1 | 1.5 |
| Input/Output VSWR within 1574.42MHz–1576.42MHz | | - | 1.5 | 2.5 |

Matching Network



TMX W347

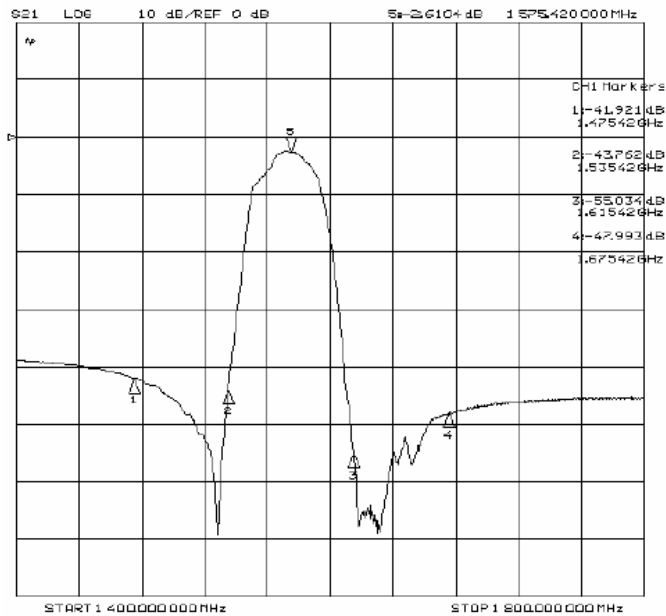
SAW Bandpass Filter – GPS - RF

Specification (Rev.1)- RF

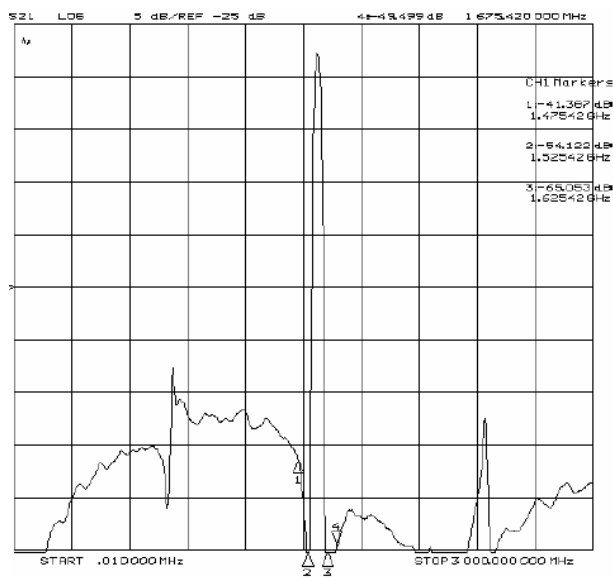
September 25th, 2005

Nominal Frequency Response (Measurements)

Frequency Response



Frequency Response



TMX W347

SAW Bandpass Filter – GPS - RF

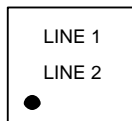
Specification (Rev.1)- RF

September 25th, 2005

Maximum Ratings

| | | |
|---------------------------|-----|------------------|
| Storage Temperature Range | °C | [-50°C ; +100°C] |
| Operating temperature | °C | [-40°C ; +85°C] |
| DC voltage | V | 5 |
| Input Power | dBm | 10 |

Marking

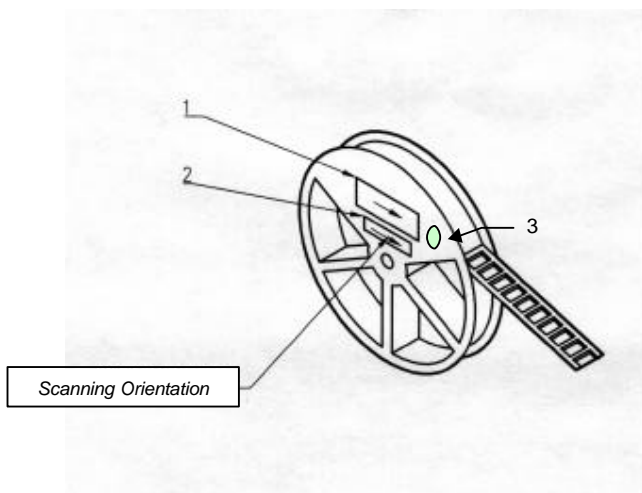


Line 1: "NNNN" is the reference to Temex Part number with only the last 4 digits

Line 2: RYWWZZ is the date code as:

- R: Partner identifier.
- Y: last digit of the year.
- WW: number of week in the year
- ZZ: Lot number in the week (from AA to ZZ).

Packaging



- 1 – Temex Label
- 2 – ESD Prevention Label
- 3 – Pb Free Label