

# TMX W332

Low Loss SAW Bandpass Filter - WIRELESS AUDIO - RF  
*Specification (Rev-2)*

---

- Technical overview .....P01
- Matching Network Configuration .....P01
- Typical Response .....P02
- Package Drawing.....P03

# TMX W332

Low Loss SAW Bandpass Filter - WIRELESS AUDIO - RF  
Specification (Rev 2)

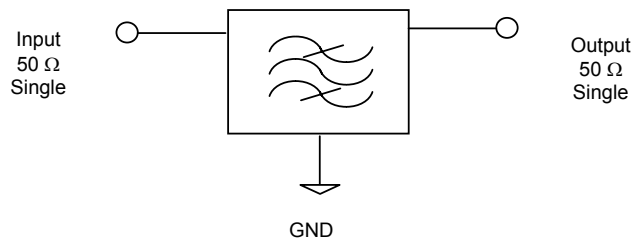
June 10<sup>th</sup>, 2005

Electrical Parameters	Unit	Minimum	Typical <sup>(1)</sup>	Maximum
Source Impedance (single ended)	$\Omega$	-	50 <sup>(2)</sup>	-
Load Impedance (single ended)	$\Omega$	-	50 <sup>(2)</sup>	-
Center Frequency fo	MHz	-	864	-
<b>Absolute Attenuation</b>				
300 MHz to 848 MHz	dB	39	45	-
848 MHz to 853.3 MHz	dB	30	35	-
878 MHz to 882 MHz	dB	35	40	-
882 MHz to 1200 MHz	dB	48	55	-
Insertion Loss in 862.5 MHz-865.5 MHz	dB	-	2.5	3.4
Amplitude Ripple in 862.5 MHz-865.5 MHz	dB	-	0.5	1.5
VSWR	dB	-	-	2.2
Temperature Coefficient of Frequency	ppm/k	-	-30	-
<b>Package type &amp; size</b>				
Length x Width	mm <sup>2</sup>	-	3.8 x 3.8	-
Height	mm	-	1.3	1.5
<b>Pin Out</b>				
Input	2	Output	5	
Case Ground	1, 3, 4, 6	To Be Grounded	1, 3, 4, 6	

**Notes :**

- (1) Typical values are nominal performances at room temperature
- (2) No external matching circuit is required

**50  $\Omega$  / 50  $\Omega$  CONFIGURATION**



**Maximum Ratings**

Rating	Unit	Value
Operating Temperature Range	-40 to +80	$^{\circ}\text{C}$
Storage Temperature Range	-40 to +85	$^{\circ}\text{C}$
DC Permissible Voltage	10	V
Maximum RF Power	10	dBm

# TMX W332

Low Loss SAW Bandpass Filter - WIRELESS AUDIO - RF  
 Specification (Rev 2)

June 10<sup>th</sup>, 2005

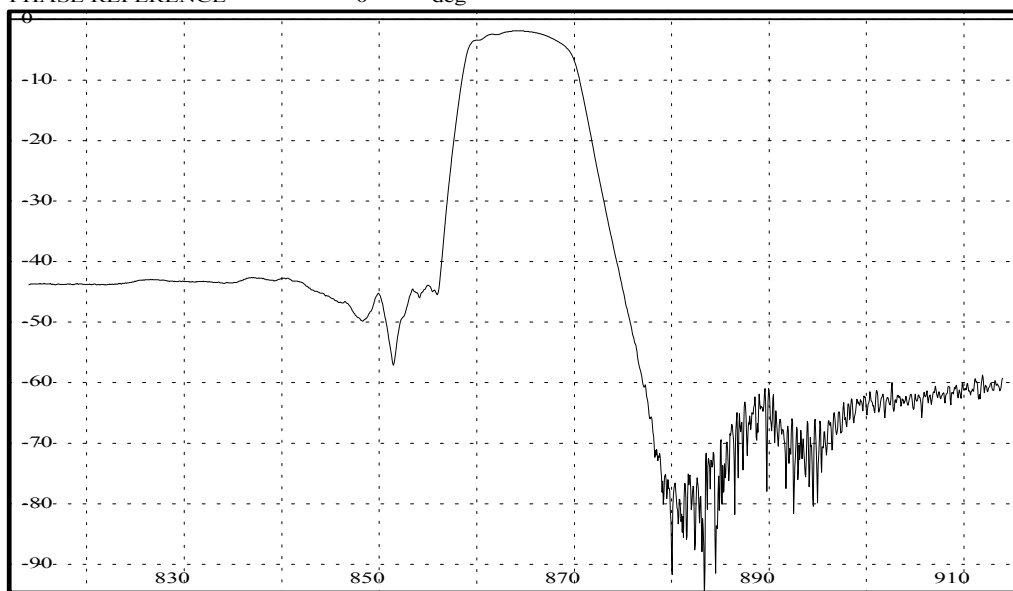
## TYPICAL S21 RESPONSE

**References**

CENTER FREQUENCY = 0 MHz  
 LOSS REFERENCE = 0 dB  
 DELAY REFERENCE = 0  $\mu$ s  
 PHASE REFERENCE = 0 deg

**Scales**

SCALE\_FREQUENCY = 10 MHz/div

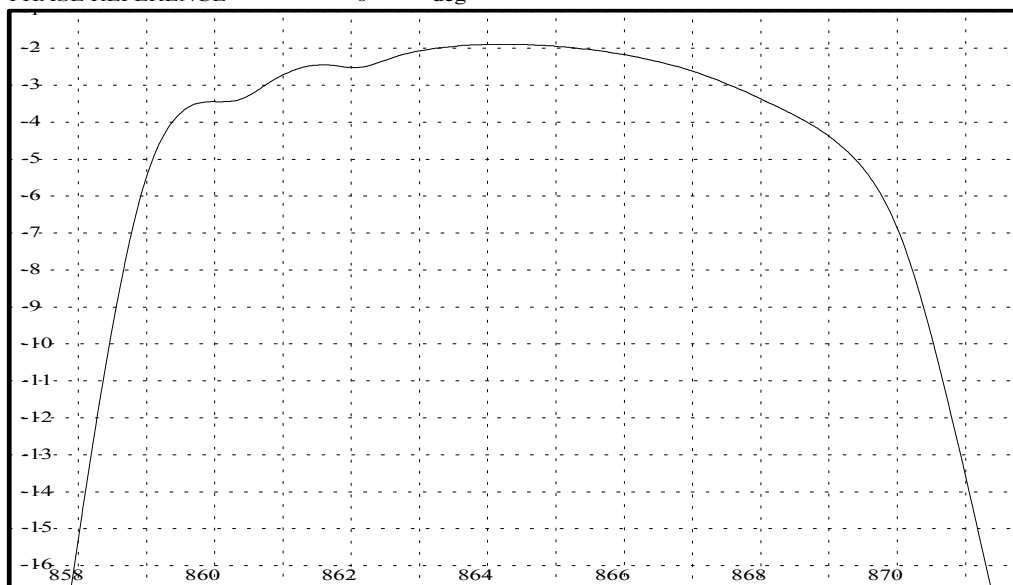


**References**

CENTER FREQUENCY = 0 MHz  
 LOSS REFERENCE = 0 dB  
 DELAY REFERENCE = 0  $\mu$ s  
 PHASE REFERENCE = 0 deg

**Scales**

SCALE\_FREQUENCY = 1 MHz/div



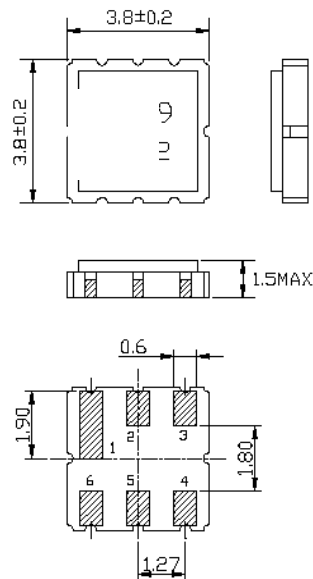
# TMX W332

Low Loss SAW Bandpass Filter - WIRELESS AUDIO - RF  
Specification (Rev 2)

June 10<sup>th</sup>, 2005

## PACKAGE DRAWING

Unit: mm



Pin No.	Function
2,5	Signal
other	Ground